

# Euro Single Pole Lite

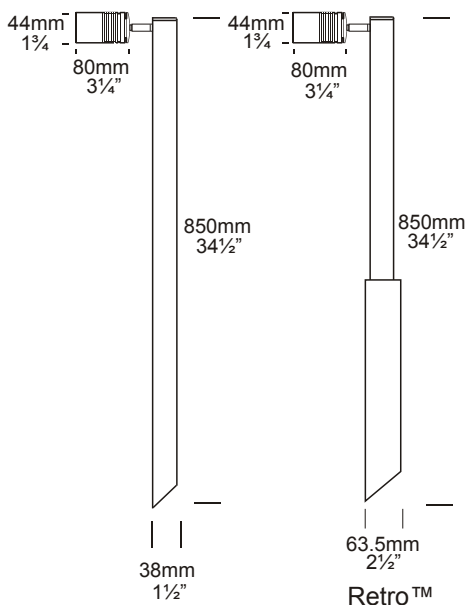
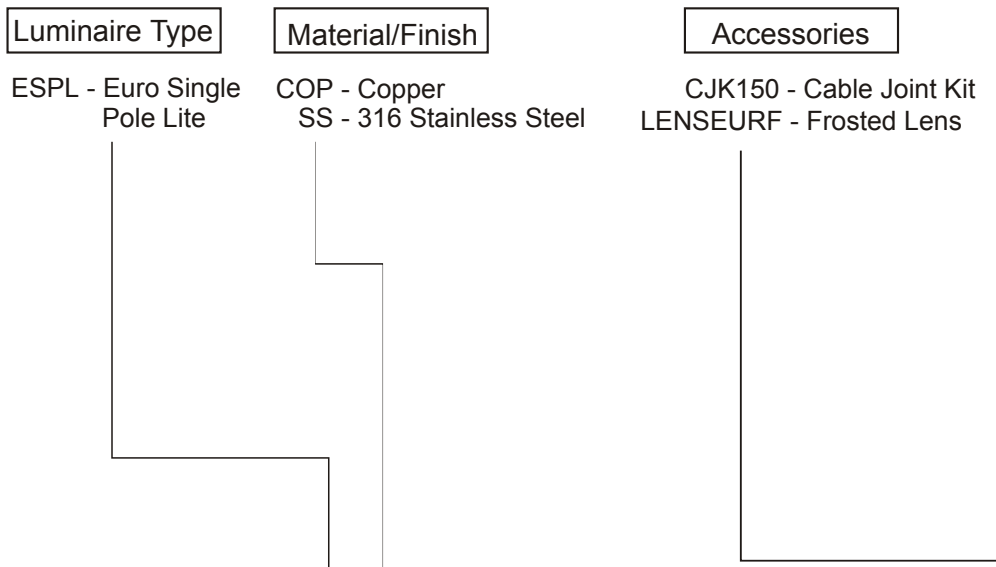
Cat. No. ESPL  
Cat. No. ESPL/R



The Euro Single Pole Lite is ideal for path lighting as well as tree lighting, or the head may be aimed downward to eliminate vertical light. Hunza Euro fixtures use miniature MR11 lamps to achieve a contemporary, discreet appearance but are still able to provide excellent illumination. This luminaire has a fully adjustable arm allowing 360 degree rotation and 0 - 90 degree elevation with a built in glare guard.

The Retro™, which is a mains option, avoids the need to bury a transformer. The 110/240-12 volt electronic transformer is built into the pole and is a double insulated safety isolating transformer this changes the luminaire to an IP56 rating.

## Ordering Information



Ordering Example: ESPL SS - Euro Single Pole Lite in 316 Stainless Steel  
ESPL/R COP - Euro Single Pole Lite Retro™ in Copper  
LENSEURF - Frosted Lens(Accessories ordered separately)

**HUNZA**™ PURE OUTDOOR LIGHTING

HUNZA FACTORY 130  
Felton Mathew Ave  
Glen Innes  
Auckland 1072  
New Zealand

Ph: 64-9-528 9471  
Fax: 64-9-528 9361  
hunza@hunza.co.nz  
www.hunza.co.nz

INTERNATIONAL CONTACTS:  
[www.hunza.co.nz/contacts.php](http://www.hunza.co.nz/contacts.php)

Specifications may change without notice.  
Manufactured in New Zealand.  
© 2011 Hunza Holdings Ltd.

Ver 1.4

## Luminaire Construction

### CNC machined from one of the following metals:

**Copper**  
 Body: 45.4mm (1¾") x 80mm (3") copper rod.  
 Pole: 38mm (1½") x 850mm (33½") copper tube.  
 Retro™ Pole: 38mm (1½") x 410mm (16") and 63.5mm (2½") x 440mm (17½") copper tube.

### 316 Stainless Steel

Body: 45.4mm (1¾") x 80mm (3") stainless steel rod.  
 Pole: 38mm (1½") x 850mm (33½") stainless steel tube.  
 Retro™ Pole: 38mm (1½") x 410mm (16") and 63.5mm (2½") x 440mm (17½") stainless steel tube.

## Mounting

Pole 850mm (33½") directly mounted into the earth. Retro™ - set in concrete.

## Features

### Lens

6mm (¼") clear flush fit shatter resistant glass.  
 Lifetime Warranty.

### Gaskets

Silicone, iron impregnated 220°C (428°F).

### Lamp Holder

GU4 - 350°C (662°F) ceramic multi contact lamp holder with 250°C (480°F) Teflon cables.

## Accessories

### Cable Joint Kit (Cat. CJK150).

Not approved for USA /Canada.

### Frosted Lens (Cat. LENSEURF).

## Swivel

**Copper luminaires** - 360° rotation and 0-90° elevation, solid brass with anti rust spring.

**Stainless steel luminaires** - 360° rotation and 0-90° elevation, full stainless steel construction.

## Standards

IP56/IP66,



inaire eig t

12 volt - Copper - 1.00kg (4lb oz)  
 Stainless Steel - 1.550kg ( 1lb 6oz)  
 Retro - **Copper** - 2.800kg (6lb 2oz)  
**Stainless Steel** - 2.600kg (5lb 11oz)

## Power Supply

12 volt - Hunza Inground or Wall Mount Transformer: not included.

### USA and Canada

Hunza Wall Mount Transformer: not included.

Retro - Hunza 110/240-12 volt AC potted electronic transformer built into the pole. Dimmable with a suitable leading edge dimmer.

## Lamp Options

MR11 GU4 20 watt lamp max.

### USA and Canada

MR11 GU4 10 watt lamp max.

