

Euro Step Lite Solid Eyelid

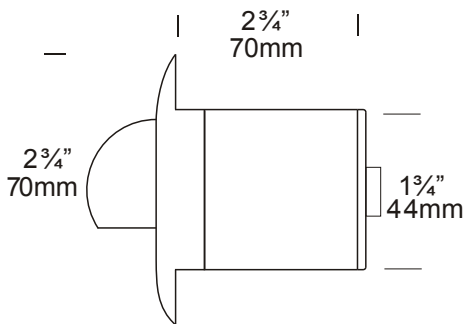
Cat. No. ESLS



The Euro Step Lite Solid Eyelid is an extra compact luminaire designed for step lighting applications where the fixture needs to be very unobtrusive or concealed. The eyelid masks two thirds of the lamp, which eliminates all upward light.

Hunza Euro fixtures use miniature MR11 lamps to achieve a contemporary, discreet appearance but are still able to provide excellent illumination. The Euro Step Lite Solid Eyelid is designed for recessed mounting into masonry, stone or wood and when the appropriate mounting canister is specified there are no visible mounting screws.

Ordering Information



Luminaire Type

ESLS - Euro Solid Eyelid
Step Lite

Material

COP - Copper
SS - 316 Stainless Steel

Accessories

CJK150 - Cable Joint Kit
ELCAN - Euro Lite Canister
LENSEURF - Frost Lens
EDKCAN - Euro Lite
Deck Canister

Ordering Example: ESLS COP - Euro Step Lite Solid Eyelid in Copper
ELCAN - Euro Lite Canister
(accessories ordered separately)

HUNZA™ PURE
OUTDOOR
LIGHTING

HUNZA FACTORY Y 130
Felton Mathew Ave Glen
Innes
Auckland 1072
New Zealand

Ph: 64-9-528 9471
Fax: 64-9-528 9361
hunza@hunza.co.nz
www.hunzalighting.com

INTERNATIONAL CONTACTS:
[http://www.hunzalighting.com/
contact.php](http://www.hunzalighting.com/contact.php)

Specifications may change without notice.
Manufactured in New Zealand. Ver 1.4
© 2016 Hunza Holdings Ltd.

Luminaire Construction

CNC machined from one of the following metals:

Copper

Body: 45.4mm (1³/₄" x 80mm (3") copper rod.

Flange: 70mm (2³/₄" copper bar.

316 Stainless Steel

Body: 45.4mm (1³/₄" x 80mm (3") stainless steel rod.

Flange: 70mm (2³/₄" stainless steel bar.

Mounting

The luminaire is fixed in place using a mounting canister. there are no mounting screws in the flange to spoil aesthetics of the luminaire.

Features

Lens

6mm (1/4") clear flush fit shatter resistant glass with Hex Cell Louvre for glare control.

Lifetime Warranty.

Gaskets

Silicone, iron impregnated 220°C (428°F).

Lamp Holder

GU4 - 350°C (662°F) ceramic multi contact lamp holder with 250°C (480°F) Teflon cables.

Accessories


Cable Joint Kit (Cat. CJK 150). Not approved for USA/Canada.

Frosted Lens (Cat. LENSEURF).

Euro Lite Canister (Cat. ELCAN).

Euro Deck Canister (Cat. EDKCAN).

Standards

IP67, UL1838, 

Luminaire Weight

Copper - 0.635kg (1lb 6oz)

Stainless Steel - 0.585kg (1lb 4oz)

Power Supply

Hunza Inground or Wall Mount Transformer: not included.

USA and Canada

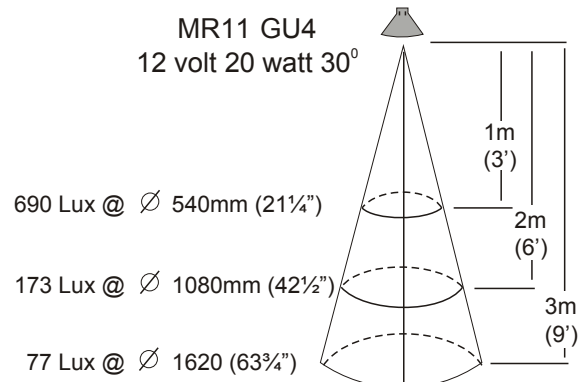
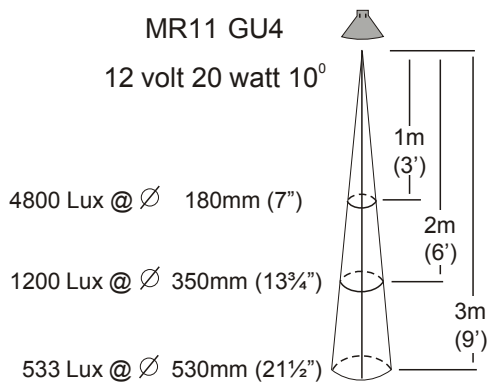
Hunza Wall Mount Transformer: not included.

Lamp Options

MR11 GU4 20 watt lamp max.

USA and Canada

MR11 GU4 10 watt lamp max.



HUNZA™ PURE
OUTDOOR
LIGHTING

HUNZA FACTORY 130
Felton Mathew Ave
Glen Innes
Auckland 1072
New Zealand

Ph: 64-9-528 9471
Fax: 64-9-528 9361
hunza@hunza.co.nz
www.hunzalighting.com

INTERNATIONAL CONTACTS:
[http://www.hunzalighting.com/
contact.php](http://www.hunzalighting.com/contact.php)

Specifications may change without notice.
Manufactured in New Zealand. Ver 1.4
© 2016 Hunza Holdings Ltd.