

SPIKE SPOT HIGH POWER LUMINAIRE

PLEASE RETAIN THE SWING TAG TO THE FIXTURE FOR FUTURE REFERENCE.

PLEASE KEEP INSTRUCTIONS FOR YOUR REFERENCE.

NOTE: These instructions must not contravene your local electrical authority regulations, with which all installations herein must comply.

INSTALLATION INSTRUCTIONS

This luminaire is easy to install as it has a spike on the bottom which can be pushed into the ground wherever you desire light.

Place the Spike Spot High Power into the ground where you wish to install and then run the low voltage cable for series (refer to Fig. 1) or parallel (refer to Fig. 2) wiring to the Spike Spots.

All cable connections must be made using heavy walled adhesive lined heat shrink to prevent water leaking into the cable joint.

Note: If not using a HUNZA™ driver - you must select a suitable constant-current driver. The LED requires a forward voltage of 6vdc at 2000mA.

Warning: Do not disconnect the LED luminaire from secondary side of the driver connected to the mains. Switch off mains FIRST then disconnect luminaire from the output side of the driver.

Warning: We recommend when connecting to photocells and timers that the outputs of these devices be a relay output and not an electronic output. This is due to the high frequency output of these devices which can lead to failure of the internal driver.

Do not water blast/jet wash this fixture under any circumstances.

LED CHANGING

Caution: Make sure that the power to the luminaire is switched off before attempting to change the LED.

Unscrew the lens section of the luminaire, change LED, refit the lens section onto the luminaire and tighten.

When replacing gasket and lens, make sure there is no dirt or grit on the gasket. Dirt or grit on the gasket may cause luminaire to leak.

GLARE GUARD INSTALLATION

Carefully remove lens ring, making sure not to drop the glass lens (as this may cause damage), keeping gasket in place. Hold body of luminaire tightly and rotate glare guard to desired position.

RECOMMENDATION

Run all low voltage cables in flexible conduit for extra protection.

Use Hunza CJK150 Cable Joint Kit,

DO NOT over tighten lens ring as this will make removal difficult and may cause lamp to break. Leave extra cable to allow the luminaire to be removed as foliage grows in size.

FIGURE 1

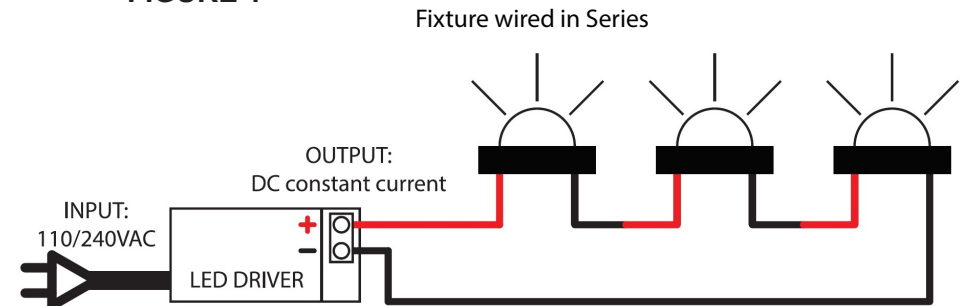


FIGURE 2

