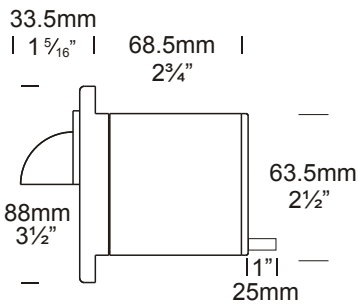


Step Lite Eyelid

Cat. No. SLE
Cat. No. SLEGU



The Step Lite Eyelid is designed with a 88mm (3½”) flange and has recessed body for flush mounting into masonry, stone or wood, providing illumination of steps and low level features such as exterior paved areas. The Eyelid feature eliminates all upward light, providing an excellent glare-free illuminating effect. When a canister is used there are no mounting holes in the flange.

A GU10 version of this luminaire is also available for line voltage lamps. However, a longer luminaire body is needed to accommodate the longer lamp.

Ordering Information

Luminaire Type	Material/Finish	Accessories
SLE - Step Lite Eyelid	BK - Black	CJK150 - Cable Joint Kit
SLEGU - Step Lite Eyelid	BZ - Bronze	CANSS - Stainless Steel Canister
GU10	CT - Corten	HCL - Hex Cell Louvre
	DG - Dark Grey	LENSSSTEPF - Frosted Lens
	OG - Olive Green	SLCAN - Step Lite Canister
	STAR - Silver Star	
	WB - White Birch	
	WH - White	
	COP - Copper	

Ordering example: SLE BK - Step Lite Eyelid in Black
SLEGU COP - Step Lite Eyelid GU10 in Copper
SLCAN - Step Lite Canister
(accessories ordered separately)

Luminaire Construction

CNC machined from one of the following metals:

Aluminium

High corrosion resistant aluminium with chromate substrate and high UV resistant polyester powder coat.

Body: 63.5mm (2½") x 10mm (3/8") tube.

End cap: solid aluminium 63.5mm rod.

Flange: 90mm (3½") solid aluminium rod.

Colours:

Black, Bronze, Corten, Dark Grey, Olive Green, Silver Star, White Birch, White.

Copper

Body: 63.5mm (2½") x 10mm (3/8") tube.

End cap: solid copper 63.5mm (2½") rod.

Flange: 90mm (3½") solid copper rod.

Mounting

Designed to fit through a 66mm (2½") hole and be fixed into position by two screws in the flange.

A Step Lite or Stainless Steel Canister (Cat. SLCAN or CANSS) can be used to maintain the aesthetic look of the flange by eliminating the two screw holes in the flange.

Features

Lens

10mm (3/8") clear flush fit shatter resistant glass.

Lifetime Warranty.

Gasket

Silicone, iron impregnated 220°C (428°F).

Lamp Holder

MR16 & GU10 - 350°C (662°F) ceramic multi contact lamp holder with 250°C (480°F) Teflon cables.

Accessories

Cable Joint Kit (Cat. CJK150). Not approved for USA/Canada.

Stainless Steel Canister (Cat. CANSS). For use in lime stone, etc.

Hex Cell Louvre (Cat. HCL)

Frosted Lens (Cat. LENSSTEPF).

Step Lite Canister (Cat. SLCAN).

Standards

EN60598, IP66, UL1838, 

Luminaire Weight

Aluminium - 0.465kg (1lb)

Copper - 1.340kg (2lb 15oz)

Power Supply

Hunza Inground or Wall Mount Transformer: not included.

USA and Canada

Hunza Wall Mount Transformer: not included.

Lamp Options

MR16 - 20 watt lamp max.

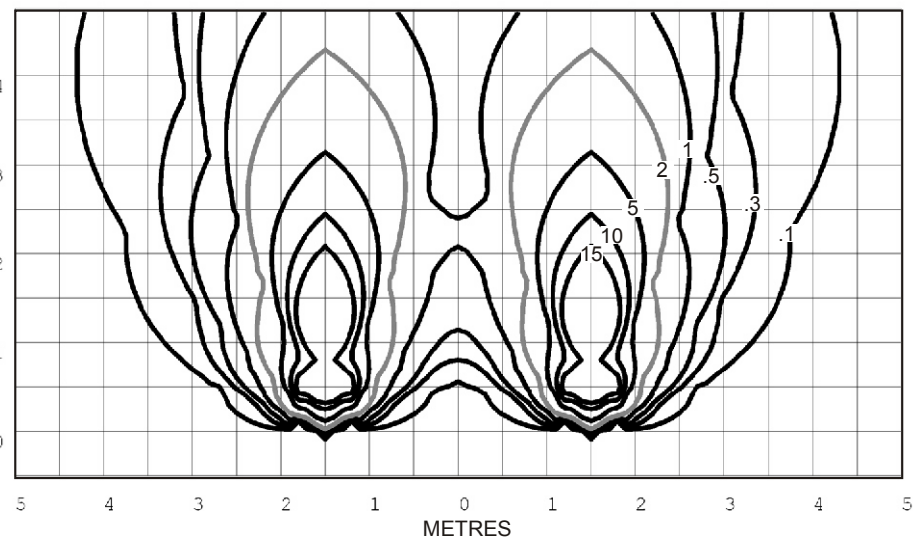
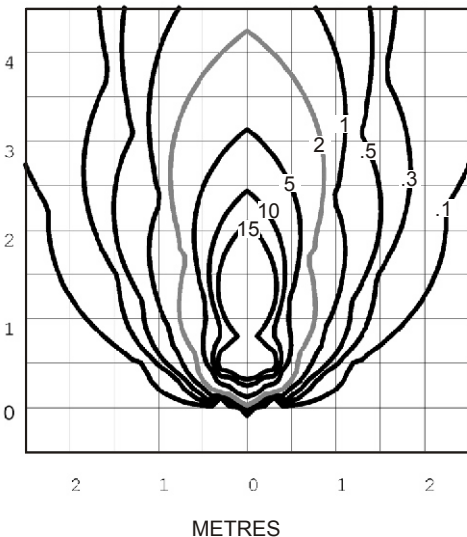
GU10 - 25 or 35 watt lamp max.

USA and Canada

MR16 - 20 watt lamp max.

GU10 - lamp not supplied.

Step Lite Eyelid MR16 BAB 20 watt lamp - Lens height 400mm (15¾")



Isolux Lumens Plot - Footcandles = Isolux figures divided by 10.76

HUNZA™ PURE OUTDOOR LIGHTING

HUNZA FACTORY
130 Felton Mathew Ave
Glen Innes
Auckland 1072
New Zealand

Ph: 64-9-528 9471
Fax: 64-9-528 9361
hunza@hunza.co.nz
www.hunzalighting.com

INTERNATIONAL CONTACTS:
<http://www.hunzalighting.com/contact.php>
Specification may change without notice.
Manufactured in New Zealand.
© 2016 Hunza Holdings Ltd.