

## Twin Pole Lite

PROJECT:

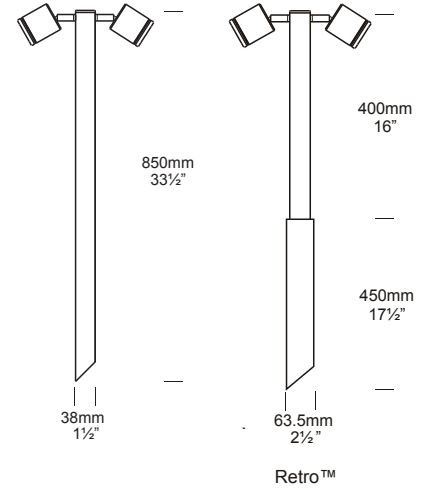
TYPE:

SOURCE:

NOTES:

### PURELED SPECIFICATIONS PER HEAD

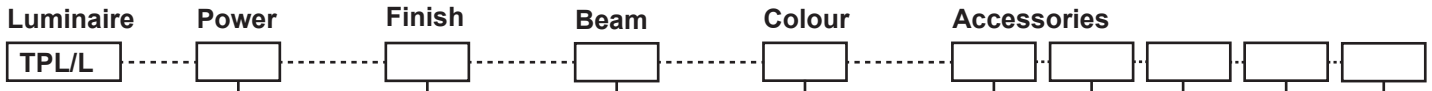
<b>LED Chip</b>	Cree XHP-50-2 Plug and Play field replaceable LED board
<b>Luminaire Output Per Head</b>	600 Lumens @ 1050mA (6 watts), 420 Lumens @ 700mA (4 watts), 240 Lumens @ 350mA (2 watts), delivered from luminaire with unobstructed beam.
<b>Lumens Per Watt</b>	100 Lumens minimum @ 6 watts, delivered from luminaire with unobstructed beam
<b>CRI (3000K)</b>	90+
<b>Colour Temperatures</b>	2700K, 3000K, 4000K
<b>Beam Angles</b>	15, 25, 38, 60
<b>Ingress Protection</b>	IP56/IP66
<b>Warranty</b>	Electronics = 5 years Body Cop/ SS = 10 years Body Aluminium = 5 years
<b>Standards</b>	AS/NZS 61046 cUL 1838, 2108 CSA C22.2 No.250.7, No.250.0-08 CE



### PRODUCT CONFIGURATION

Please fill in appropriate codes into boxes provided

Cat. No. TPL/L



- S** SERIES, REMOTE DRIVER
- D3** 12VAC, 2W INTEGRAL
- D7** 12VAC, 4W INTEGRAL
- D10** 12VAC, 6W INTEGRAL
- R** RETRO, 110/240V DRIVER

**SERIES, REMOTE DRIVER REQUIRED:**  
Constant current driver  
Individual fixtures require 6vdc @ 1050mA maximum

**12VAC INTEGRAL DRIVER:**  
Hunza integrated plug and play driver (included)  
Input: 9-15VAC, 14watt total  
Output: 6vdc @ D3=350mA, D7=700mA, D10=1050mA (1050mA limited to ≤ 40°C (104°F) ambient temperature in stainless steel)

**110/240VAC RETRO DRIVER:**  
Input: 120/240vac, 10watt total (included)  
Output: 6vdc, 700mA  
0-10 volt dimming (USA - non dimming)

- Material/Finish**
- ALUMINIUM**
- EBK** BLACK
  - EBZ** BRONZE
  - EOGR** OLIVE GREEN
  - EWH** WHITE
  - EWB** WHITE BIRCH
  - EDG** DARK GREY
  - ESTAR** SILVER STAR
  - ECT** CORTEN
- COP** SOLID COPPER  
**SS** STAINLESS STEEL

- Beam**
- 15** 15°
  - 25** 25°
  - 38** 38°
  - 60** 60°

- Colour**
- 2** 2700K
  - 3** 3000K
  - 4** 4000K

- Accessories**
- HCL** HEX CELL LOUVRE
  - SNT** SNOOT
  - GG** GLARE GUARD
  - LF** FROSTED LENS
  - FM** FLANGE MOUNT
  - LKN** LOCKING KNUCKLE
  - CJK** CABLE JOINT KIT

**OTHER LAMP OPTIONS:**

TPL/H - MR16 Halogen 12V Lamp  
 TPL/SL - MR16 LED Retrofit 12V Lamp (lamps vary by market - please refer to supplier for details)  
 TPL/GUH - GU10 120/240V Halogen Lamp (body length increases for all GU10 lamps)  
 TPL/GUSL - GU10 LED Retrofit 120/240V Lamp (lamps vary by market - please refer to supplier for details)

[Click for here Remote Power Supply Guidance Charts](#)

[Click here for halogen specification sheet](#)

# LUMINAIRE CONSTRUCTION

## CNC machined from one of the following metals:

### Aluminium

Body: solid high corrosion resistant 63.5mm (2<sup>1/2"</sup>) x 10mm (3/8") aluminium.  
 End cap: solid aluminium 63.5mm (2<sup>1/2"</sup>) rod, with chromate substrate and high UV resistant polyester powder coat.  
 Pole: solid aluminium 38mm (1<sup>1/2"</sup>) tube.  
 Colours:  
 Black, Bronze, Silver Star, White, White Birch, Olive Green, Dark Grey, Corten.

### Copper

Body: 63.5mm (2<sup>1/2"</sup>) x 10mm (3/8").  
 End cap: solid copper 63.5mm (2<sup>1/2"</sup>) rod.  
 Pole: solid 38mm (1<sup>1/2"</sup>) tube.

### 316 Stainless Steel

Body: 63.5mm (2<sup>1/2"</sup>) x 10mm (3/8").  
 End cap: solid 316 stainless steel 63.5 (2<sup>1/2"</sup>)  
 Pole: 316 stainless steel 38mm (1<sup>1/2"</sup>) tube.

### Knuckles:

Aluminium and Copper luminaires - 360° rotation and 0-90° elevation, solid brass with anti rust spring.  
 Stainless Steel luminaires - 360° rotation and 0-90° elevation, full stainless steel construction.

### Step Lens:

10mm (3/8") Extra clear, low iron, shatter resistant glass.  
 Lifetime warranty.

### Gaskets:

Silicone, iron impregnated 220°C (428°F)

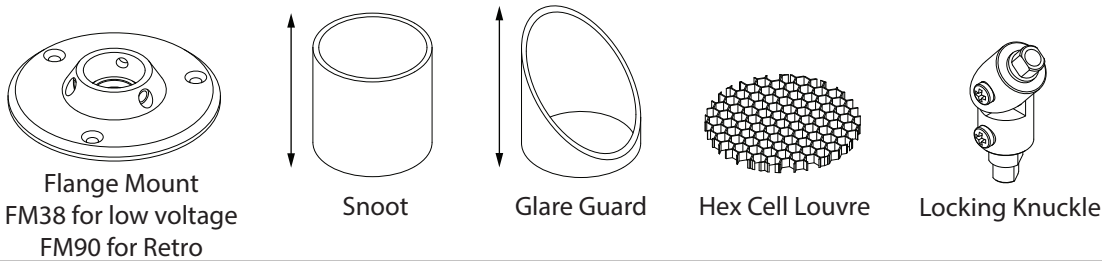
### Mounting

The pole 800mm (31<sup>1/2"</sup>) is directly mounted into the earth or concrete.  
 Flange Mount option is available for hard surfaces.

### Luminaire Weight:

Low voltage  
 Alum: 1.200kg (2lb 10oz)  
 Cop: 3.500kg (7lb 11oz)  
 SS: 2.800kg (6lb 3oz)  
 Retro™  
 Alum: 2.300kg (5lb 1oz)  
 Cop: 4.300kg (9lb 8oz)  
 SS: 3.600kg (7lb 15oz)

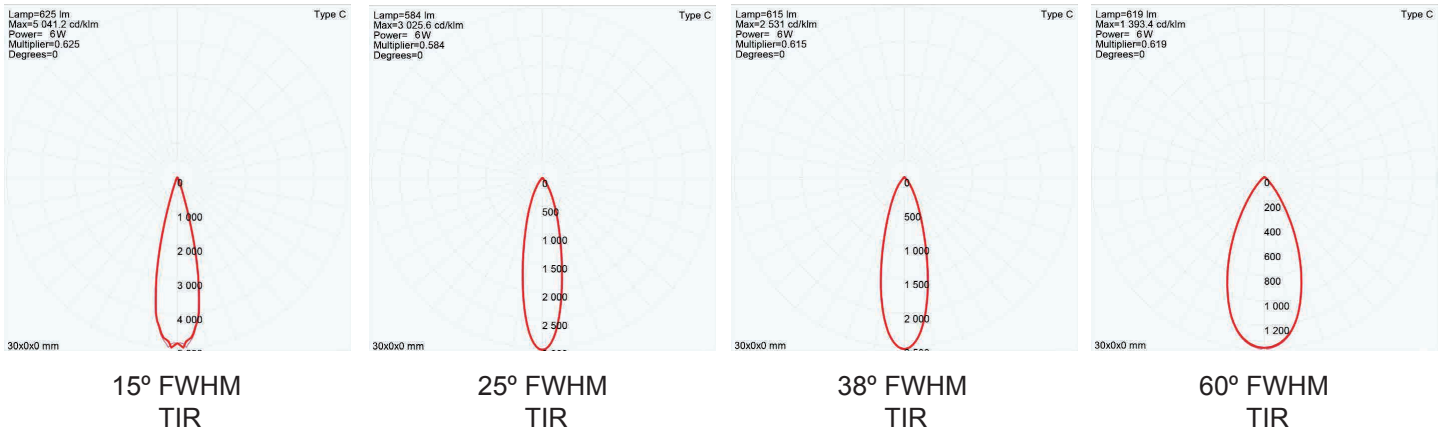
## ACCESSORIES



## BEAM ANGLES

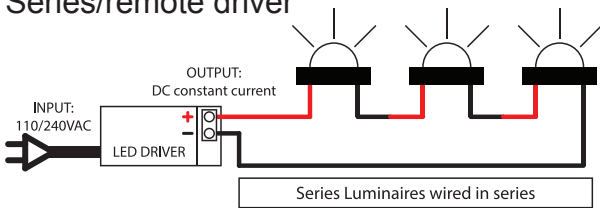
High efficiency PMMA TIR lenses. Field replaceable

IES files available for download: [hunzalighting.com/downloads](http://hunzalighting.com/downloads)



## WIRING GUIDE

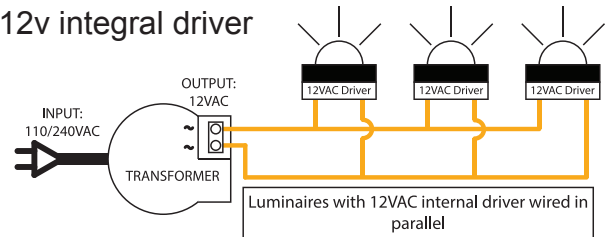
### Series/remote driver



Diagrams are a guide only, wire colours and polarity may change depending on fixture and country

Available for download: [hunzalighting.com/downloads](http://hunzalighting.com/downloads)

### 12v integral driver



Specifications may change without notification

Aug 2017