

## ULTRA POLE SPOT INSTALLATION INSTRUCTIONS

NOTE: THESE INSTRUCTIONS MUST NOT CONTRAVENE YOUR LOCAL ELECTRICAL AUTHORITY REGULATIONS, WITH WHICH ALL INSTRUCTIONS HERE IN MUST COMPLY. PLEASE KEEP INSTRUCTIONS FOR FUTURE REFERENCE.

Remove the complete fixture from the packaging. If the Pole and luminaire are to be installed separately detach the luminaire from the Pole and place it back in the packaging and store securely.

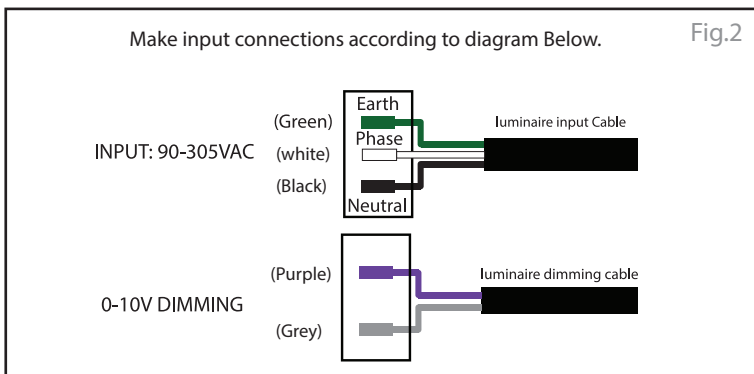
Discard the packing in an environmentally friendly way.

We recommend casting the Pole into the ground with concrete to a minimum depth of 300mm (12"). Place drainage material in the bottom of the hole to drain away water and stop water level build up. (See Fig. 1).

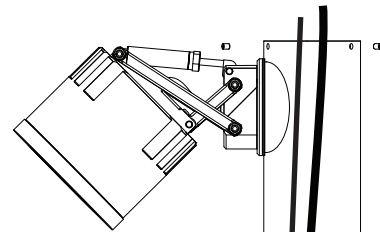
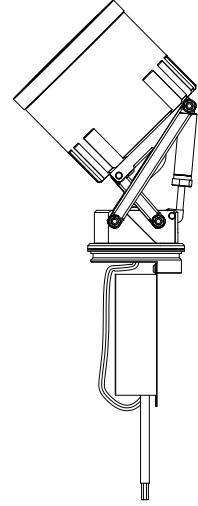
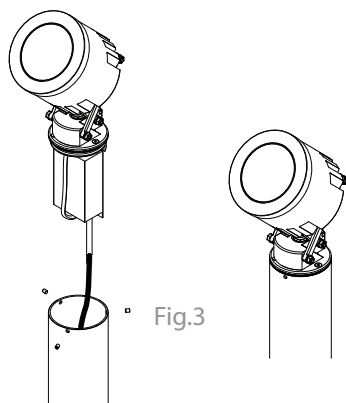
NB. Top of Pole is indicated by the 3 fixing Grub Screws

Draw the power supply cable up through the centre of the canister ready for connection to the luminaire.

Once ground works are complete and the pole is set in place. Draw supply cable through Pole allowing an extra 200mm (8") minimum of cable above the top of the pole. Now make a waterproof connection to the luminaire input cable and Dimming Cable. (See Fig.2).

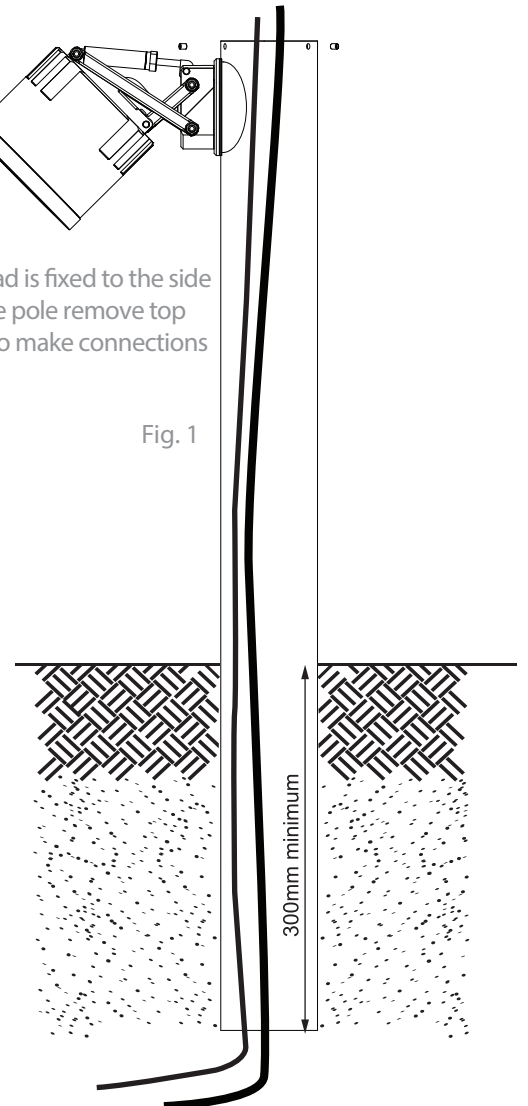


Finish installation by securing the Luminaire head/ Cap to the top of the pole with Grub screws provided. (See Fig.3).



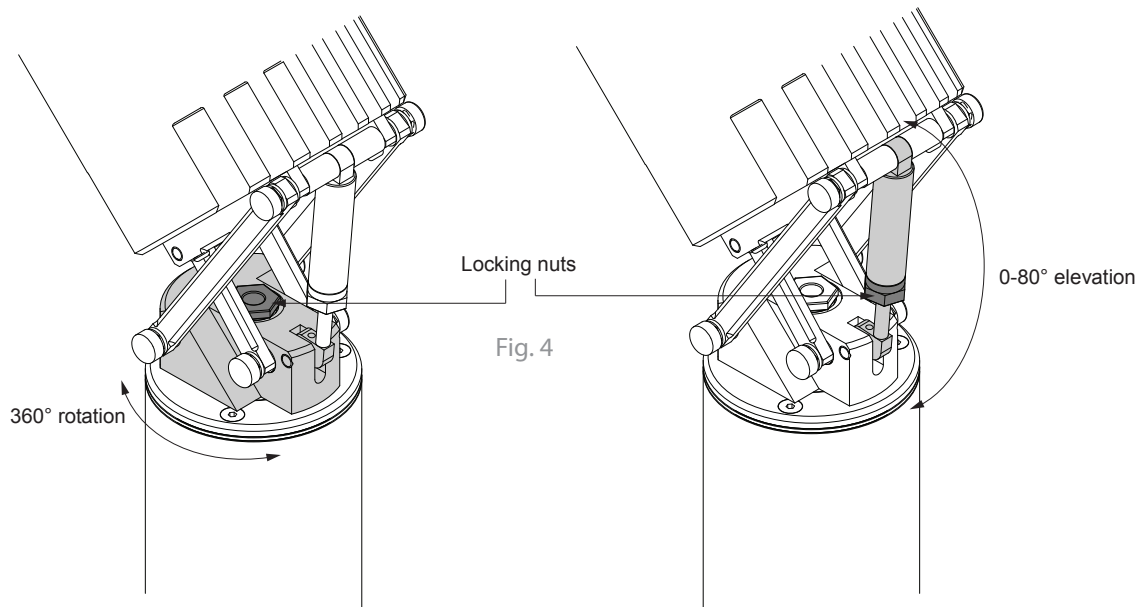
If Head is fixed to the side of the pole remove top cap to make connections

Fig. 1



Rotate head to desired position. Adjust head to desired angle. Lock mechanism into position with nuts indicated.

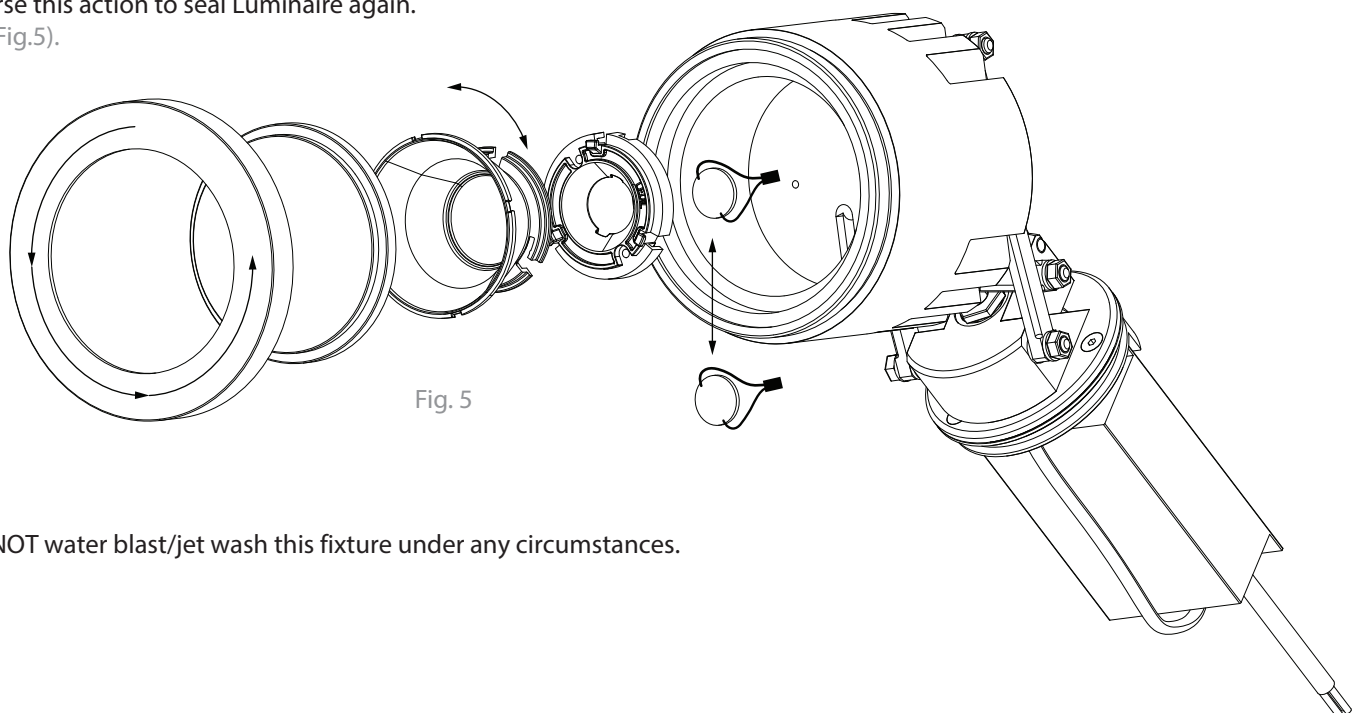
(See Fig.4).



To replace LED chip: Unscrew lens Ring. Remove Lens and Reflector (bayonet Style lock). Unscrew Reflector Holder from Ultra Head. The chip can now be unplugged and replaced.

Reverse this action to seal Luminaire again.

(See Fig.5).



DO NOT water blast/jet wash this fixture under any circumstances.