

## Bollard Round ARCH

PROJECT: \_\_\_\_\_

TYPE: \_\_\_\_\_

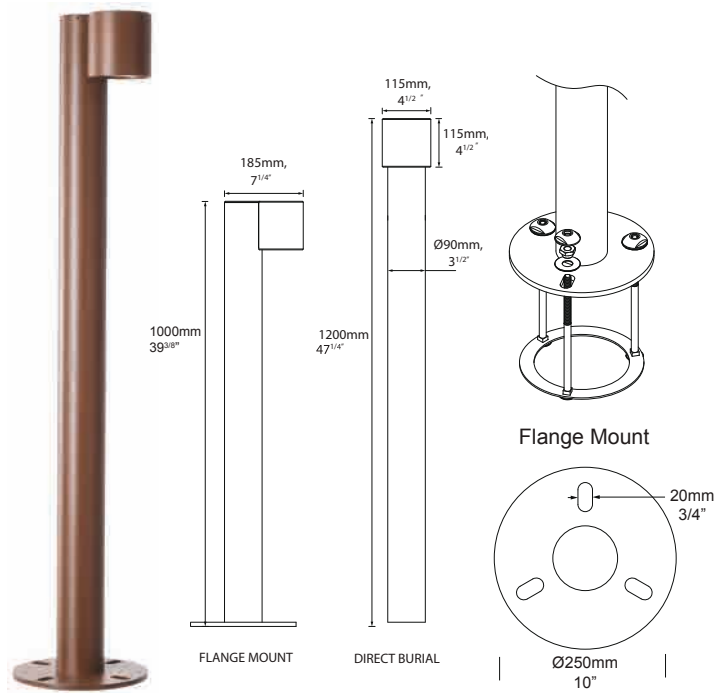
SOURCE: \_\_\_\_\_

NOTES: \_\_\_\_\_

### SPECIFICATIONS



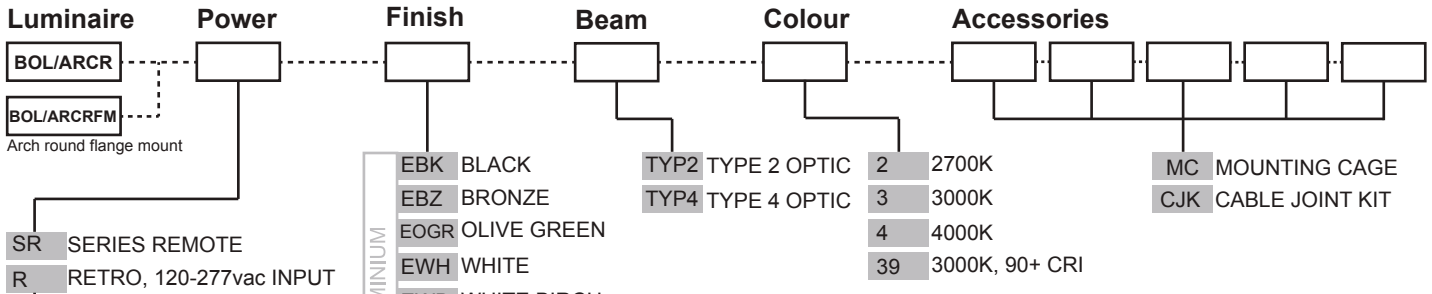
<b>LED Chip</b>	Cree CXA 1830 field replaceable LED board
<b>Luminaire Output</b>	3000 Lumens @ 700mA (26watts), Delivered from Luminaire with unobstructed beam.
<b>Lumens Per Watt</b>	100 Lumens minimum @ 26 watts, Delivered from Luminaire with unobstructed beam
<b>CRI (3000K)</b>	80 Standard, 90+ Optional
<b>Colour Temperatures</b>	2700K, 3000K, 4000K
<b>Beam Angles</b>	TYPE 2, TYPE 4 asymmetric
<b>Ingress Protection</b>	IP66
<b>Warranty</b>	Electronics = 5 years Body Aluminium = 5 years
<b>Standards</b>	BS/EN 60598.2.2 cUL 1598 CE



### PRODUCT CONFIGURATION

Please fill in appropriate codes into boxes provided

Cat. No. BOL/ARCR



**SERIES REMOTE:**  
Constant current driver (included)  
Fixture require 37vdc @ 700mA maximum

**RETRO**  
**110-277vac DRIVER:**  
Constant current driver (included)  
Input: 120,240,277 volts  
Output: 60 watts total  
37vdc @ 700mA  
0-10 volt dimming

ADDITIONAL COMMENTS: \_\_\_\_\_

# LUMINAIRE CONSTRUCTION

## CNC machined from one of the following metals:

Body - solid high corrosion resistant 115mm (4<sup>1/2"</sup>) aluminium rod.  
 Tube - high corrosion resistant 90mm (3<sup>1/2"</sup>) x 3.18mm (1/8") aluminium tube.  
 Finished with chromate substrate, Epoxy layer and a UV resistant polyester powder coat colour.  
 Fixings and Mechanism - made from 316 Stainless Steel

## Colours:

Black, Bronze, Silver Star, White, Birch, Olive Green, Dark Grey, Corten.

## Step Lens:

Extra clear optical silicone TIR.

## Gaskets:

Silicone, iron impregnated 220°C (428°F)

## Cable:

Water resistant rubber

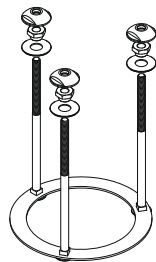
## Mounting:

Pole is set directly into concrete.  
 For flange mounting please refer to the hunza website for mounting instructions.

## Luminaire Weight:

6kg (11lbs 4oz)- Without flange

## ACCESSORIES



Mounting cage

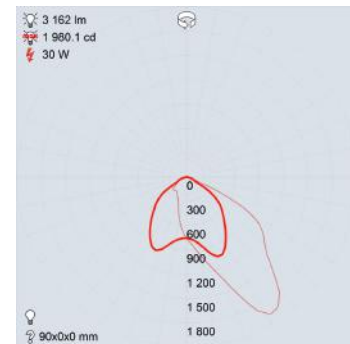
## BEAM ANGLES

High efficiency Reflectors. Feild replaceable

IES files available for download: [www.hunzalighting.com/download.php](http://www.hunzalighting.com/download.php)



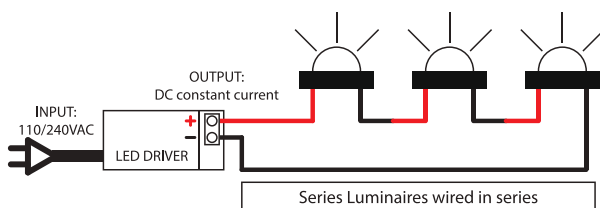
TYPE 2  
OPTIC



TYPE 4  
OPTIC

## WIRING GUIDE

available for download: [www.hunzalighting.com/download.php](http://www.hunzalighting.com/download.php)



Diagrams are a guide only, wire colours and polarity may change depending on fixture and country

