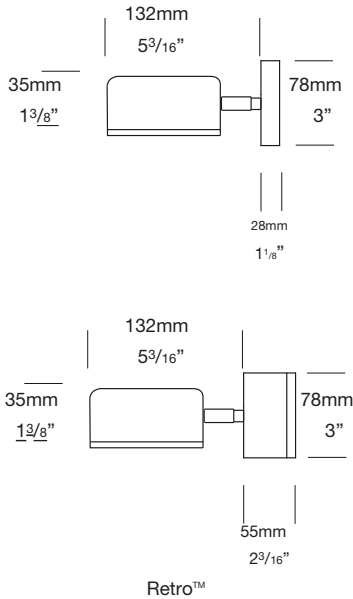


Border Lite Wall Spot PURE LED

Cat. No. BLWS/L



PURE LED
Pure Performance

The Border Lite Pure LED is ideal for path lighting giving a wide spread of light with no upward projection. This luminaire has a fully adjustable arm allowing 360 degree rotation and 0-90 degree elevation.

The Hunza PURE LED system uses Cree XTE chips for maximum performance and long life. Power supply options include a choice of integral 12 or 110 / 240 volt (Retro) drivers which are mounted in the pole. There is also an external remote driver (series connection) option. The PURE LED system incorporates Hunza's Plug-and-Play system for easy replacement of either the LED engine or integral driver in the field.

This luminaire is equipped with Hunza's Anti- Syphon™ (not Retro luminaires) system which has been designed to counter the problem of wicking (siphoning) of water through the supply cable into the lamp housing, causing water to condense and dramatically shorten the life of the LED and Luminaire.

*At 700mA this fitting is the equivalent of a 20w halogen fitting.

*At 1050mA this fitting is the equivalent of a 35w halogen fitting.

Luminaire	Driver mA	Colour Temp	Accessories	Material/Finish
BLWS/L	S - Series D3 - 12v 350mA D7 - 12v 700mA R - 110 or 240v Retro	2 - 2700K 3 - 3000K 4 - 4000K 39 - 3000K (90+ CRI)	CJK - Cable Joint Kit LENSBLC - Clear Lens	BK- Black BZ - Bronze GN - Green STAR - Silver Star WH - White WB - White Birch DG - Dark Grey OG - Olive Green RG - Beige PR - Primrose SBZ - Solid Bronze SS - 316 Stainless

Ordering Example: BL/L S 3 CJK BK

HUNZA™
PURE
OUTDOOR
LIGHTING

HUNZA FACTORY
130 Felton Mathew Ave
Saint Johns
Auckland 1072
New Zealand

Ph: 64-9-528 9471
Fax: 64-9-528 9361
hunza@hunza.co.nz
www.hunza.co.nz

INTERNATIONAL CONTACTS:
www.hunza.co.nz/contacts.php

Specifications may change without notice.
Manufactured in New Zealand.
© 2014 Hunza Holdings Ltd.

Luminaire Construction

CNC machined from one of the following metals:

Head:

Cast from either 316 stainless steel, LG2 bronze or virgin high corrosion resistant CC401 low copper aluminum alloy, with chromate substrate and high UV resistant polyester powder coat.

Colour: Black, Bronze, Green, Silver Star, White, Birch, Dark Grey, Olive Green, Beige, Primrose

Poles:

Aluminium, Solid Bronze, 316 Stainless Steel 38mm (1½") x 850mm (33½") tube.

Retro™:

Pole - 38mm (1½") x 410mm (16") tube.

Transformer Pole - 63.5mm (2½") x 440mm (17½").

Luminaire Weight

12 volt	Alum	.800kg (1lb 8oz)
	SS	1.6kg (3lb 8oz)
	SBZ	1.7kg (3lb 12oz)

Retro™	Alum	2.00kg (4lb 6oz)
	SS	3.15kg (6lb 15oz)
	SBZ	3.4kg (7lb 8oz)

Features

Cable

Water resistant rubber with HUNZA™ Anti-Syphon™ water barrier system.

Lens

3mm frosted shatter resistant glass.

Lifetime Warranty.

Gaskets

Silicone, 150°C (302°F)

Accessories

Cable Joint Kit (Cat. CJK150)

Clear Lens (Cat. LENSBLC)

Swivel: Aluminium and Solid Bronze luminaires - 360° rotation and 0 - 90° elevation, solid brass with anti rust spring.

Stainless Steel luminaires - 360° rotation and 0 - 90° elevation, full stainless steel construction.

Mounting

Pole 850mm (33½") directly mounted into the earth.

Retro™ - set in concrete

Technical Information

Standards

AS/NZS 61046

IP56/IP66 UL 1838

LED

Cree XTE Plug-and-Play, field replaceable LED board.

Lumen Output: 120 @ 700mA

Lumens Per watt: 60 minimum

CRI Warm White (3000k): 85+

Colour Temp: 2700K, 3000K or 4000K

High CRI Option (3000K): 90+ (lumen output decreases by 15%)

Power Supply

External (Series) Driver

Constant current driver

Output: 3vdc at 1050mA maximum

Integral 12 Volt Driver

Input: 12vac 3watt at 700mA

Output: 3vdc nominal, 350mA / 700mA

Transformer

Hunza wall Mount Transformer for use with integral 12 volt driver

Retro 110/240 volt Driver

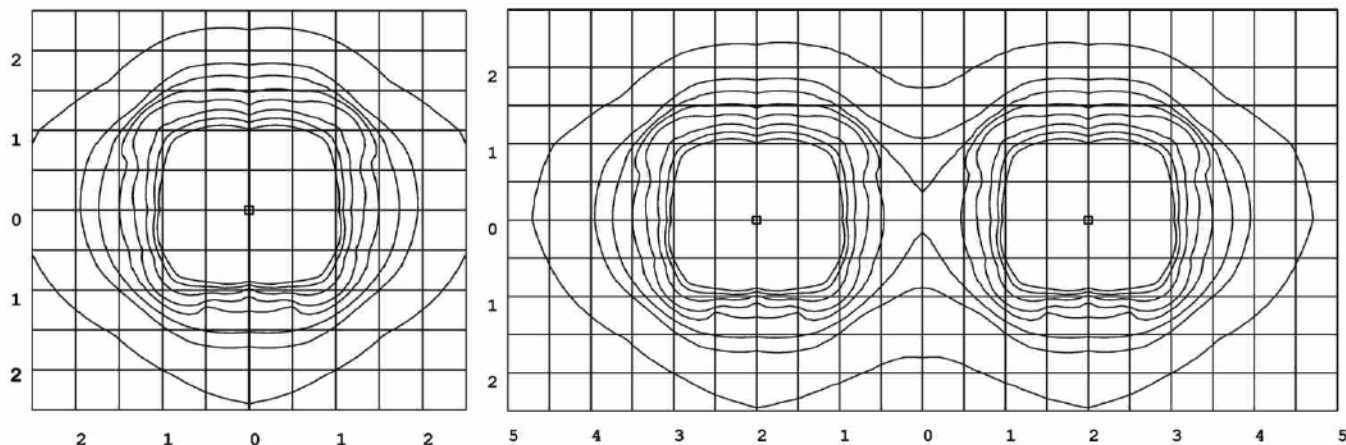
HUNZA Plug and Play Driver

Input: 120/240 vac 7 watt

Output: 6 dc 700mA

0-10 volt dimming.

Border Lite LED driven at 700mA, lens Height 600mm (24")



HUNZA™ PURE
OUTDOOR
LIGHTING

HUNZA FACTORY
130 Felton Mathew Ave
Saint Johns
Auckland 1072
New Zealand

Ph: 64-9-528 9471
Fax: 64-9-528 9361
hunza@hunza.co.nz
www.hunza.co.nz

INTERNATIONAL CONTACTS:
www.hunza.co.nz/contacts.php

Specifications may change without notice.
Manufactured in New Zealand.
© 2014 Hunza Holdings Ltd.