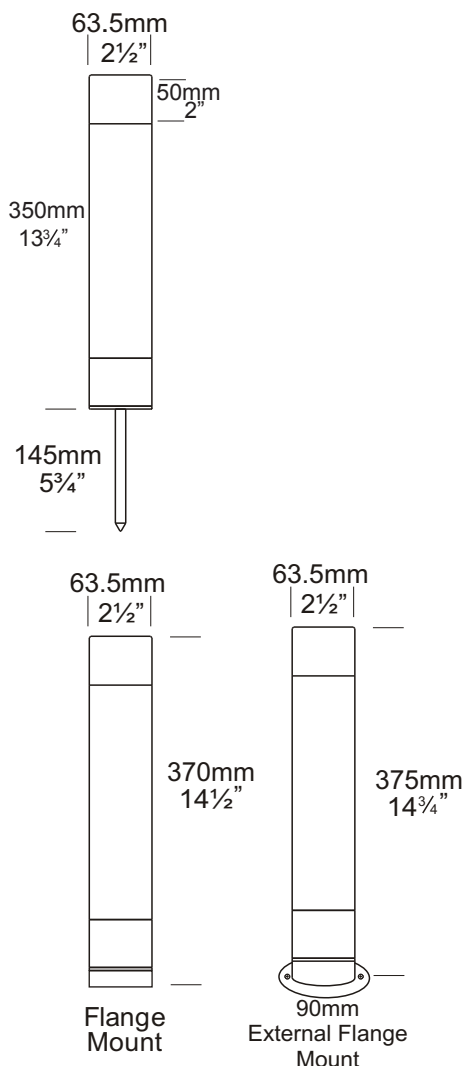


Bollard 300

Cat. No. BOL300
 Cat. No. BOL300FM
 Cat. No. BOL300FM90
 Cat. No. BOL300GU



The Bollard 300 is ideal for garden edges. The acrylic lens reflects light at two angles through an anti-glare mesh directly onto the ground and horizontally to illuminate the surrounding landscape.

Constructed of tubular aluminium with a UV stable powder coated finish or machined from solid copper or 316 stainless steel.

A GU10 version of this luminaire is also available for line voltage lamps.

Ordering Information

Luminaire Type	Material/Finish	Accessories
BOL300 - Bollard	BK - Black BZ - Bronze GN - Green STAR - Silver Star WH - White WB - Birch DG - Dark Grey OG - Olive Green RG - Beige PR - Primrose COP - Copper SS - 316 Stainless Steel	CJK150 - Cable Joint Kit GU - GU10 Option LENSBOLOP - Opaque Lens HOOD140 - Anti Glare Hood /300 - 300mm (12") Spike

Ordering Example: BOL300 BK - Bollard 300 in Black

BOL300FM BK - Bollard 300 with 63.5mm Flange Mount in Black

BOL300FM90 COP - Bollard 300 with 90mm External Flange Mount in Copper

BOL300GU COP - Bollard 300 GU10 in Copper

HOOD140 BZ - Anti Glare Hood in Bronze

(Accessories ordered separately)

HUNZA™ PURE OUTDOOR LIGHTING

HUNZA FACTORY
 130 Felton Mathew Ave
 Glen Innes
 Auckland 1072
 New Zealand

Ph: 64-9-528 9471
 Fax: 64-9-528 9361
 hunza@hunza.co.nz
 www.hunza.co.nz

INTERNATIONAL CONTACTS:
www.hunza.co.nz/contacts.php

Specifications may change without notice.
 Manufactured in New Zealand.
 © 2011 Hunza Holdings Ltd.

Ver 1.4

Luminaire Construction

CNC machined from one of the following metals:

High corrosion resistant 63.5mm (2½") x 10mm (25/64") aluminium. End cap - solid aluminium 63.5mm (2½") rod, pole - 63.5mm(2½") x 3.25mm (1/8") x 240mm (9½") with chromate substrate and high UV resistant polyester powder coat.

Colours Black, Bronze, Green, Silver Star, White, Birch, Dark Green, Olive Green, Beige, Primrose.

Copper 63.5mm (2½") x 10mm (13/32"). End cap - solid copper 63.5mm (2½") rod pole - 63.5mm (2½") x 3.25mm (1/8") x 240mm (9½").

316 Stainless Steel 63.5mm (2½") x 9mm (11/32"). End cap - solid 316 stainless steel 63.5mm (2½") rod pole - 63.5mm (2½") x 3.25mm (1/8") x 240mm (9½").

Mounting

Set in concrete in the ground or specify with flange mount option, which bolts to concrete, tiling or wooden decks.

Features

Lens:

UV stable polycarbonate with anti-glare mesh and dual reflector projects light horizontally and at 45° onto the ground.

Gasket:

Silicone, iron impregnated 220°c (428°f).

Lamp Holders:

GU5.3 & GU10 - 350°c (662°f) ceramic multi contact lamp holder with 250°c (480°f) teflon cables.

Accessories^o

Cable Joint Kit (Cat. CJK150). Not approved for USA/Canada.

Anti-Glare Hood (Cat. HOOD140).

Opaque Lens (Cat. LENSBOLOP). Option (Cat. GU).

300mm (12") Spike (Cat. /300).

Standards

IP66  UL1838

Luminaire Weight

Alum .870kg (1lb 14oz)

Cop 2.290kg (5lb)

SS 2.170kg (4lb 12oz)

Power Supply

HUNZA™ Inground or Wall Mount

Transformer: not included.

USA and Canada:

HUNZA™ Wall Mount Transformer: not included.

Luminaire: supplied with

MR16 GU5.3 20, 35, 50 watt lamp max.

GU10 - GU10 25 or 35 watt lamp max.

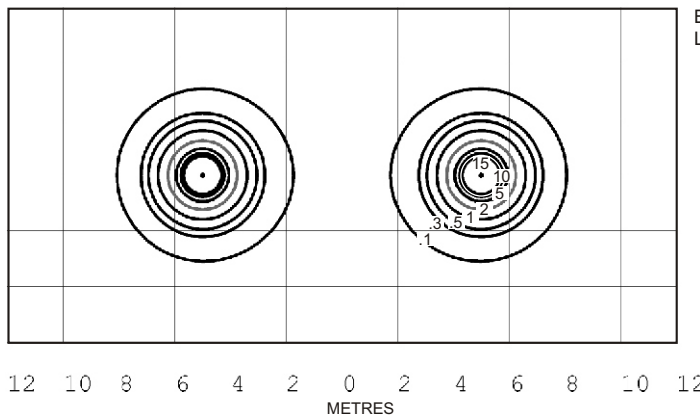
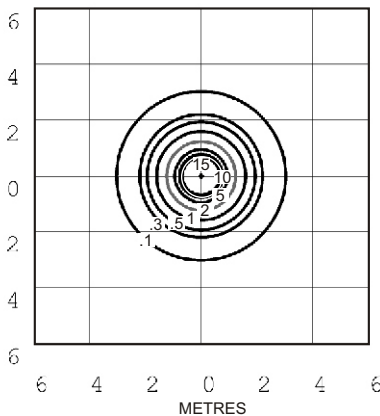
LED - Refer to previous page.

USA and Canada:

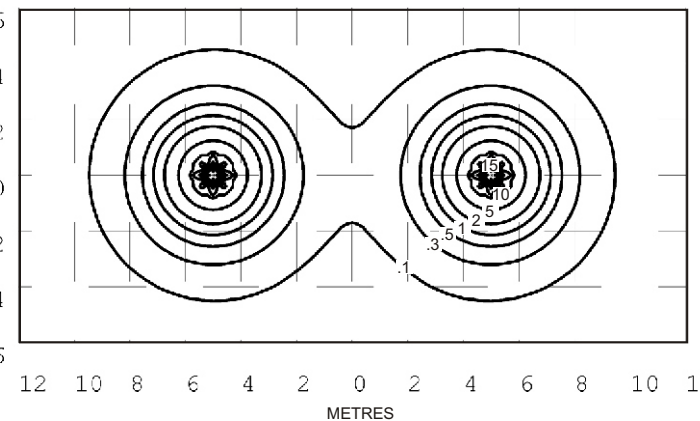
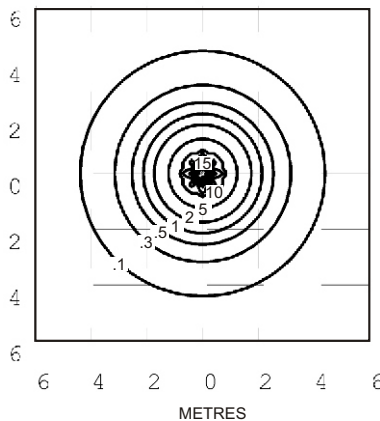
MR16 GU5.3 20, 35, 50 watt lamp max.

GU10 Halogen - Lamp not supplied.

LED - Refer to previous page.



Bollard 300 MR16 ESX 20watt lamp - Lens height 300mm (12")



Bollard 300 MR16 EXT 50watt lamp - Lens height 300mm (12")

Isolux Lumens Plot -
Footcandles =
Isolux figures divided by 10.76

HUNZA™ PURE OUTDOOR LIGHTING

HUNZA FACTORY
130 Felton Mathew Ave
Glen Innes
Auckland 1072
New Zealand

Ph: 64-9-528 9471
Fax: 64-9-528 9361
hunza@hunza.co.nz
www.hunza.co.nz

INTERNATIONAL CONTACTS:
www.hunza.co.nz/contacts.php

Specifications may change without notice.
Manufactured in New Zealand.
© 2011 Hunza Holdings Ltd.

Ver 1.4