

Bollard 700

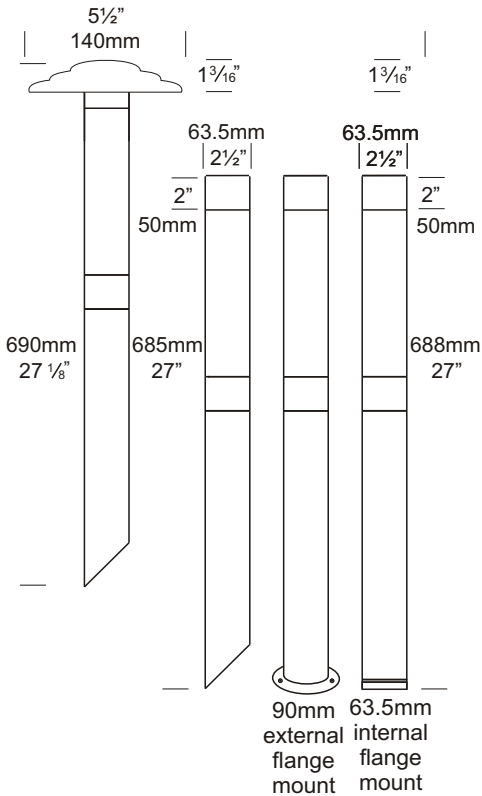
Cat. No. BOL700
 Cat. No. BOL700/R
 Cat. No. BOL700FM
 Cat. No. BOL700FM90
 Cat. No. BOL700GU



The Bollard 700 is ideal for garden edges, driveways, walkways and carparks. The acrylic lens reflects light at two angles through an anti-glare mesh directly onto the ground and horizontally to illuminate the surrounding landscape.

The Retro™, which is a mains option, avoids the need to bury a transformer. The 110/240-12 volt electronic transformer is built into the pole and is a double insulated safety isolating transformer.

A GU10 version of this luminaire is also available for line voltage lamps.



Ordering Information

Luminaire Type	Material/Finish	Accessories
BOL700 - Bollard	BK - Black BZ - Bronze GN - Green STAR - Silver Star WH - White WB - Birch DG - Dark Grey OG - Olive Green RG - Beige PR - Primrose COP - Copper SS - 316 Stainless Steel	CJK150 - Cable Joint Kit HOOD140 - Anti Glare Hood GU - GU10 Option LENSBOLOP - Opaque Lens /R - Retro™ Transformer 240/12 volt

Ordering Example: BOL700 BZ - Bollard 700 in Bronze
 BOL700FM GN - Bollard 700 with 63.5mm Flange Mount in Green
 BOL700FM90 BK - Bollard 700 with external 90mm Flange Mount in Black
 BOL700GU BK - Bollard 700 GU10 in Black

HOOD140 BZ - Anti Glare Hood in Bronze
 (Accessories ordered separately)

HUNZA™ PURE OUTDOOR LIGHTING

HUNZA FACTORY
 130 Felton Mathew Ave
 Glen Innes
 Auckland 1072
 New Zealand

Ph: 64-9-528 9471
 Fax: 64-9-528 9361
hunza@hunza.co.nz
www.hunza.co.nz

INTERNATIONAL CONTACTS:
www.hunza.co.nz/contacts.php

Specifications may change without notice.
 Manufactured in New Zealand.
 © 2011 Hunza Holdings Ltd.

Ver 1.4

Luminaire Construction

CNC machined from one of the following metals:

High corrosion resistant 63.5mm (2½") x 10mm (25/64") aluminium. End cap - solid aluminium 63.5mm (2½") rod, pole - 63.5mm (2½") x 3.25mm (1/8") x 620mm (24½") with chromate substrate and high UV resistant polyester powder coat

Colours Black, Bronze, Green, Silver Star, White, Birch, Dark Green, Olive Green, Beige, Primrose.

Copper 63.5mm (2½") x 10mm (13/32"). End cap - solid copper 63.5mm (2½") rod, pole - 63.5mm (2½") x 3.25mm (1/8") x 620mm (24½").

316 Stainless Steel 63.5mm (2½") x 9mm (11/32"). End cap - solid 316 stainless steel 63.5mm (2½") rod pole - 63.5mm (2½") x 3.25mm (1/8") x 620mm (24½").

Mounting

Set in concrete in the ground or specify with flange mount option, which bolts to concrete, tiling or wooden decks.

Features

Lens:

UV stable polycarbonate lens with anti-glare mesh and dual angle reflector projects light horizontally and at 45° onto the ground.

Gaskets:

Silicone, iron impregnated 220°C (428°F).


Lamp Holders:

GU5.3 & GU10 - 350°C (662°F) ceramic multi contact lamp holder with 250°C (480°F) teflon cables.

Accessories:

Cable Joint Kit (Cat. CJK150).
Anti-Glare Hood (Cat. HOOD140).
GU10 Option (Cat. GU).
Opaque Lens (Cat. LENSBOLOP).
Retro™ Transformer 110/240-12 volt (Cat. /R) IP56.

Standards

IP56/IP66 AS/NZS 61046  UL1838

Luminaire Weight

12 volt: Alum 1.510kg (3lb 5oz)

Cop 3.990kg (8lb 12oz)

SS 3.770kg (8lb 4oz)

Retro: Alum 2.700kg (5lb 15oz)

Cop 5.200kg (11lb 7oz)

SS 4.650kg (10lb 4oz)

Power Supply

HUNZA™ Inground or Wall Mount
Transformer: not included.

USA and Canada:

HUNZA™ Wall Mount Transformer:
not included.

RETRO™ IP56

HUNZA™ 110-240/12 volt ac potted electronic transformer built into the pole. Dimmable with a suitable dimmer.

Luminaire: supplied with

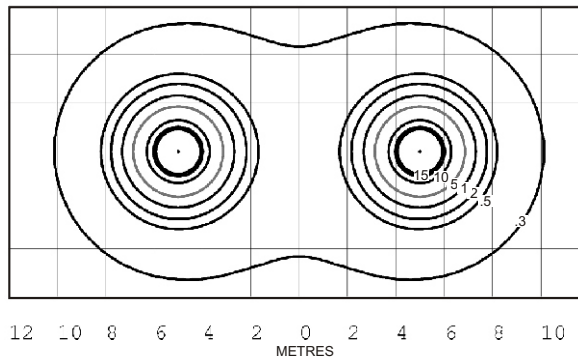
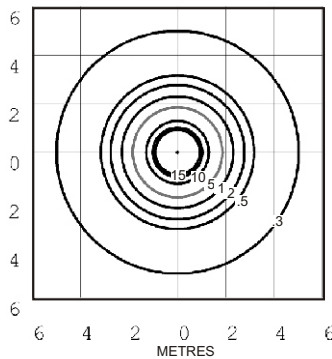
MR16 GU5.3 20, 35, 50 watt lamp max.

GU10 - GU10 25 or 35 watt lamp max.

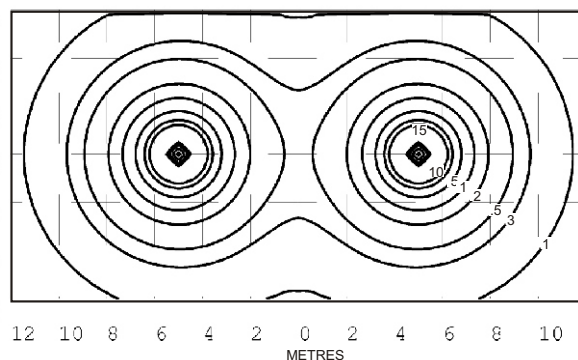
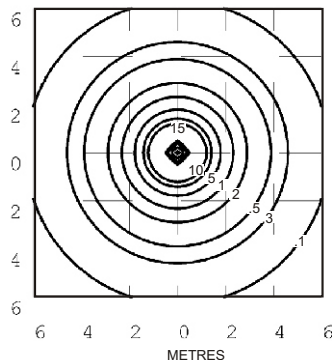
USA and Canada:

MR16 GU5.3 20, 35, 50 watt lamp max.

GU10 Halogen - Lamp not supplied



Bollard 700 MR16 20watt ESX lamp -
Lens height 700mm (27½")



Bollard 700 MR16 50watt EXT lamp -
Lens height 700mm (27½")

Isolux Lumens Plot -
Footcandles =
Isolux figures divided by 10.76

HUNZA™ PURE
OUTDOOR
LIGHTING

HUNZA FACTORY
130 Felton Mathew Ave
Glen Innes
Auckland 1072
New Zealand

Ph: 64-9-528 9471
Fax: 64-9-528 9361
hunza@hunza.co.nz
www.hunza.co.nz

INTERNATIONAL CONTACTS:
www.hunza.co.nz/contacts.php

Specifications may change without notice.
Manufactured in New Zealand.
© 2011 Hunza Holdings Ltd.

Ver 1.4