

Border Lite Twin

Cat. No. BLT

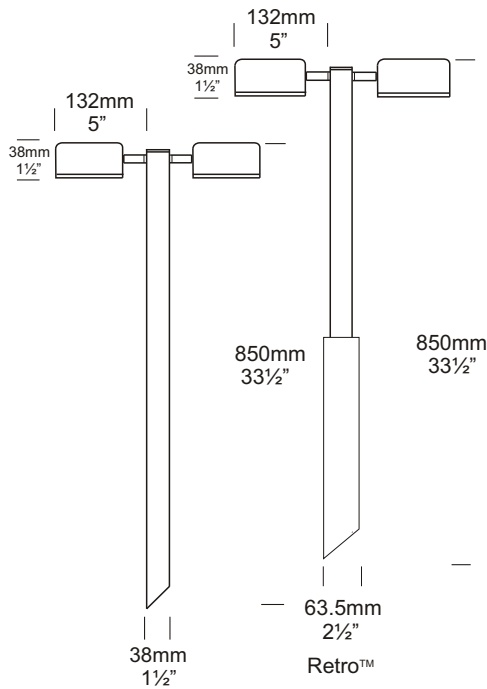
Cat. No. BLT/R



The Border Lite Twin has two individual heads which can be aimed in different directions, making it ideal for path lighting giving a wide spread of light with no upward projection. Each head has a fully adjustable arm allowing 360 degree rotation and 0 - 90 degree elevation.

The Retro™, which is a mains option, avoids the need to bury a transformer. The 110/240-12 volt electronic transformer is built into the pole and is a double insulated safety isolating transformer, this changes the luminaire to an IP56 rating.

This luminaire is equipped with Hunza's Anti-Syphon™ (not Retro luminaires) system which has been designed to counter the problem of wicking (siphoning) of water through the supply cable into the lamp housing, causing water to condense and dramatically shorten the life of the lamp, lamp holder and luminaire.



Ordering Information

Luminaire Type	Material/Finish	Accessories
BLT - Border Lite Twin	BK - Black GN - Green STAR - Silver Star WH - White SS - 316 Stainless Steel SBZ - Solid Bronze	CJK150 - Cable Joint Kit LENSBLC - Clear Lens /R - Retro™ Transformer 110/240-12 volt For an alternative LED option start at page 10.4



Ordering Example: BLT SBZ - Border Lite Twin in Solid Bronze

BLT/R BK - Border Lite Twin Retro™ Black

(Accessories ordered separately)

HUNZA™ PURE
OUTDOOR
LIGHTING

HUNZA FACTORY
130 Felton Mathew Ave
Glen Innes
Auckland 1072
New Zealand

Ph: 64-9-528 9471
Fax: 64-9-528 9361
hunza@hunza.co.nz
www.hunza.co.nz

INTERNATIONAL CONTACTS:
www.hunza.co.nz/contacts.php

Specifications may change without notice.
Manufactured in New Zealand.

© 2009 Hunza Holdings Ltd.

Ver 1.4

Luminaire Construction

Aluminium

Head:

Cast from virgin high corrosion resistant CC401 low copper aluminium alloy, with chromate substrate and high UV resistant polyester powder coat

Colours: Black, Green, Silver Star, White.

Poles: Aluminium, 38mm (1½") x 850mm (33½") tube.

Retro™ Pole: 38mm (1½") x 410mm (16") tube.

Transformer Pole: 63.5mm (2½") x 440mm (17½").

Solid Bronze

Head: Investment Cast from LG2 Bronze.

Poles: Copper, 38mm (1½") x 850mm (33½") tube.

Stainless Steel

Head: Investment cast 316 Stainless Steel.

Poles: 316 Stainless Steel, 38mm (1½") x 850mm (33½") tube.

Mounting

Pole 850mm (33½") directly mounted into the earth.

Features

Cable:

Water resistant rubber with HUNZA Anti-Syphon™ water barrier system.

Lens:

3mm Frosted tempered shatter resistant glass with a Lifetime Warranty.

Lamp Holder:

G4 - 350°C (662°F) ceramic multi contact lamp holder with 250°C (480°F) teflon cables.

Accessories:

Cable Joint Kit (Cat. CJK150).

Clear Lens (Cat. LENSBLC).

Retro™ transformer 110/240-12 volt (Cat. /R).

Note: The Hunza Super Spike is not compatible with the 38mm pole.

Swivel:

360° rotation and 0 - 90° elevation, solid brass or stainless steel with anti rust spring.

Standards

IP56/IP66  UL1838

Luminaire Weight

12 volt:

Alum: 1.100kg (2lb 6oz)

BRZ: 2.700kg (5lb 15oz)

SS: 2.400kg (5lb 4oz)

Retro™:

Alum: 2.400kg (5lb 4oz)

BRZ: 4.200kg (9lb 4oz)

SS: 3.700kg (8lb 2oz)

Power Supply

HUNZA™ Inground or Wall Mount Transformer: not included.

RETRO™ IP56

HUNZA™ 110/240-12 volt ac potted electronic transformer is built into the pole. Dimmable with a suitable leading edge dimmer. *Note see page 7.3 for details.

USA and Canada:

HUNZA™ Wall Mount Transformer: not included.

Luminaire: supplied with

2 x G4 Bi - Pin 20 watt lamp max.

Retro™ 2 x G4 Bi - Pin 20 watt lamp max.

LED - Refer sheet no. 10.4

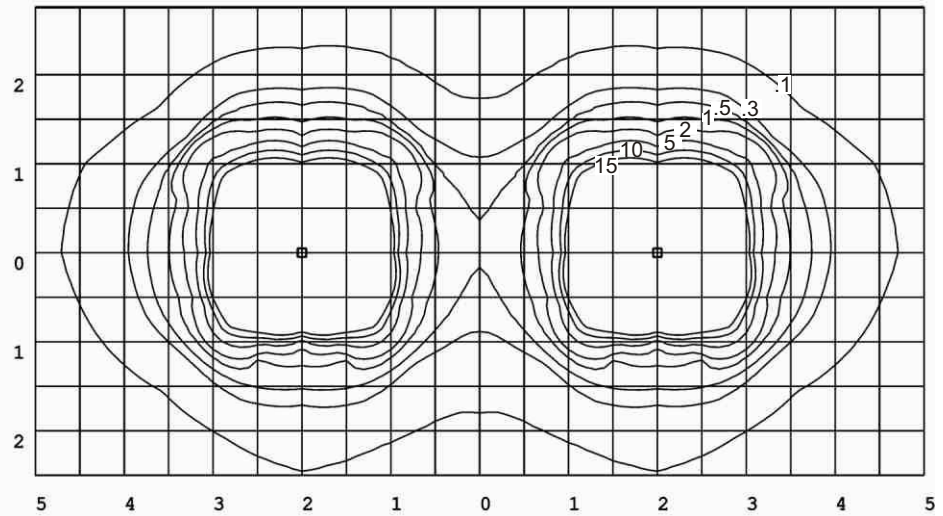
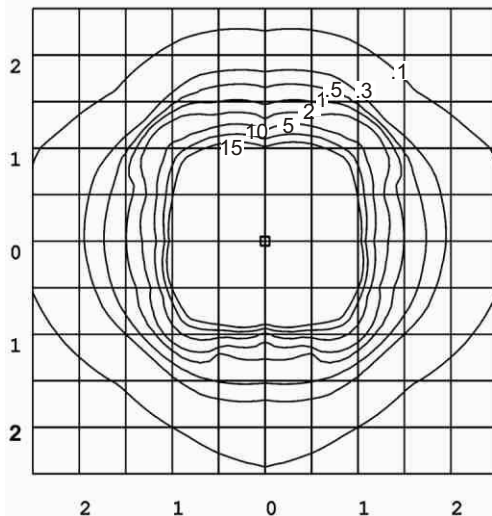
USA and Canada:

2 x G4 Bi - Pin 20 watt lamp max.

Retro™ 2 x G4 Bi - Pin 20 watt lamp max.

LED - Refer sheet no. 10.4

Twin Border Lite G4 20 watt lamp lens height 600mm (24")



HUNZA™ PURE
OUTDOOR
LIGHTING

HUNZA FACTORY
130 Felton Mathew Ave
Glen Innes
Auckland 1072
New Zealand

Ph: 64-9-528 9471
Fax: 64-9-528 9361
hunza@hunza.co.nz
www.hunza.co.nz

INTERNATIONAL CONTACTS:
www.hunza.co.nz/contacts.php

Specifications may change without notice.
Manufactured in New Zealand.

© 2009 Hunza Holdings Ltd.

Ver 1.4