

Border Lite Wall Spot

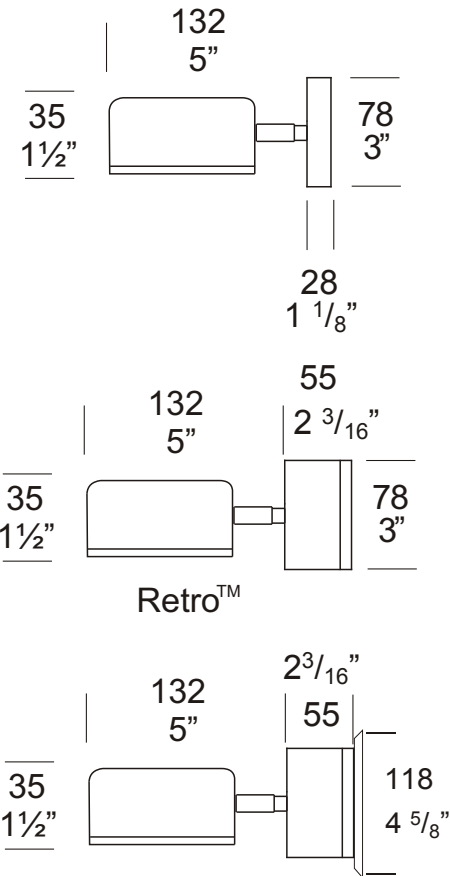
Cat. No. BLWS
Cat. No. BLWS/R



The Border Lite Wall Spot is a wall-mounted luminaire with a fully adjustable head allowing for 360 degree rotation and 0-90 degree elevation. This makes the luminaire ideal for wash-lighting on pillars, columns or walls.

The luminaire is cast from virgin high corrosion resistant low copper aluminium with a UV stable powder coated finish, solid bronze or 316 stainless steel with a clear, tempered flush glass lens and high temperature silicon gasket.

The Retro™ is a 110/240-12 ac mains option suited to installation where mounting a transformer is a problem, e.g. a brick wall where there is only a cable protruding out of the wall and it is not an option to recess the transformer. The base increases in size to accommodate the encapsulated dimmable transformer.



Ordering Information

Luminaire Type

BLWS - Border Lite
Wall Spot

Material/Finish

BK - Black
BZ - Bronze
GN - Green
STAR - Silver Star
WH - White
WB - Birch
DG - Dark Grey
OG - Olive Green
RG - Beige
PR - Primrose
SS - 316 Stainless Steel
SBZ - Solid Bronze

Accessories

LENSBLC - Clear Lens
/R - Retro™ Transformer
110/240-12 volt

USA/CANADA Retro™

Ordering Example: BLWS SBZ - Border Lite Wall Spot in Solid Bronze
(Accessories ordered separately)



HUNZA™ PURE
OUTDOOR
LIGHTING

HUNZA FACTORY
130 Felton Mathew Ave
Glen Innes
Auckland 1072
New Zealand

Ph: 64-9-528 9471
Fax: 64-9-528 9361
hunza@hunza.co.nz
www.hunza.co.nz

INTERNATIONAL CONTACTS:
www.hunza.co.nz/contacts.php

Specifications may change without notice.
Manufactured in New Zealand.
© 2011 Hunza Holdings Ltd.

Ver 1.4

Luminaire Construction

CNC machined from the following metals:

Aluminium:

Head: Cast from virgin high corrosion resistant CC401 low copper aluminium alloy, with chromate substrate and high UV resistant polyester powder coat

Base: Cast from virgin high corrosion resistant CC401 low copper aluminium alloy, with chromate substrate and high UV resistant polyester powder coat.

Colours Black, Bronze, Green, Silver Star, White, Birch, Dark Green, Olive Green, Beige, Primrose.

Solid Bronze:

Head: Investment cast in Bronze.

Base: Copper hand spun 2mm.

Stainless Steel:

Head: Investment cast 316 Stainless Steel.

Base: Investment cast 316 Stainless Steel mounting plate.

Mounting

The mounting plate is fixed to the wall using two screws.

Features

Lens:

3mm Frosted tempered shatter resistant glass with a Lifetime warranty.

Gaskets:

Silicone, 150°C (302°F).

Lamp Holder:

G4 - 350°C (662°F) ceramic multi contact lamp holder with 250°C (480°F) teflon cables.

Accessories:

Clear Lens (Cat. LENSBLC).

Retro™ transformer 110/240-12 volt (Cat. /R).

Swivels: Aluminium and Solid Bronze luminaires - 360° rotation and 0 - 90° elevation, solid brass with anti rust spring.

Stainless Steel luminaires - 360° rotation and 0 - 90° elevation, full stainless steel construction.

Standards

IP66  UL1838

Luminaire Weight

Alum: .400kg (14oz)
BRZ: .750kg (1lb 10oz)
SS: .650kg (1lb 7oz)

Retro:

Alum: .800kg (1lb 12oz)
BRZ: 1.160kg (2lb 9oz)
SS: 1.055kg (2lb 5oz)

Power Supply

HUNZA™ Wall Mount Transformer: not included.

USA and Canada:

HUNZA™ Wall Mount Transformer: not included.

RETRO™

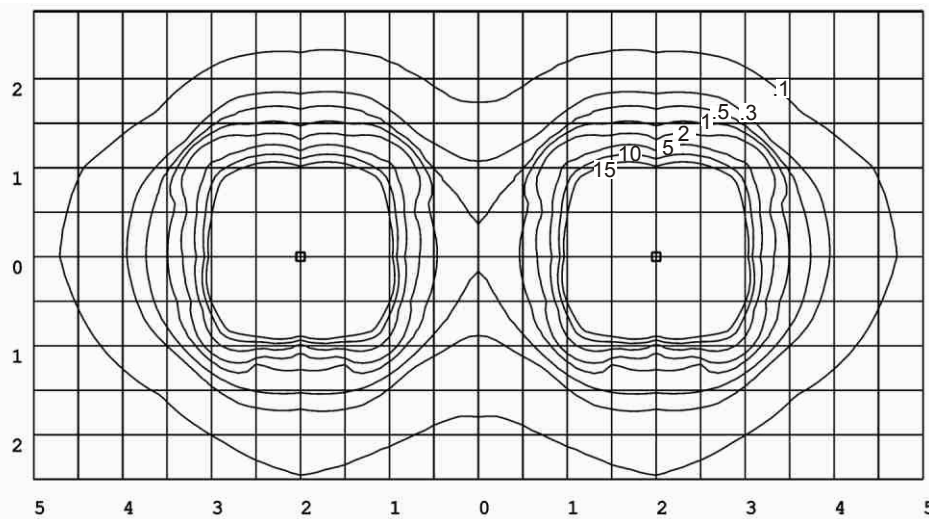
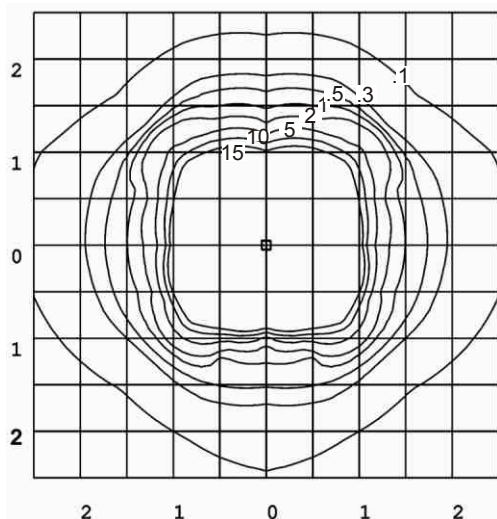
HUNZA™ 110/240-12 volt ac silicon encapsulated electronic transformer built into the Retro base. Dimmable with a suitable dimmer.

Luminaire: supplied with
G4 Bi - Pin 20 watt lamp max.

USA and Canada:

G4 Bi - Pin 20 watt lamp max.

Border Lite Wall G4 20 watt lamp. Lens is at a distance of 600mm (24")



HUNZA™ PURE
OUTDOOR
LIGHTING

HUNZA FACTORY
130 Felton Mathew Ave
Glen Innes
Auckland 1072
New Zealand

Ph: 64-9-528 9471
Fax: 64-9-528 9361
hunza@hunza.co.nz
www.hunza.co.nz

INTERNATIONAL CONTACTS:
www.hunza.co.nz/contacts.php

Specifications may change without notice.
Manufactured in New Zealand.
© 2011 Hunza Holdings Ltd.

Ver 1.4