

# Border Lite

Cat. No. BL

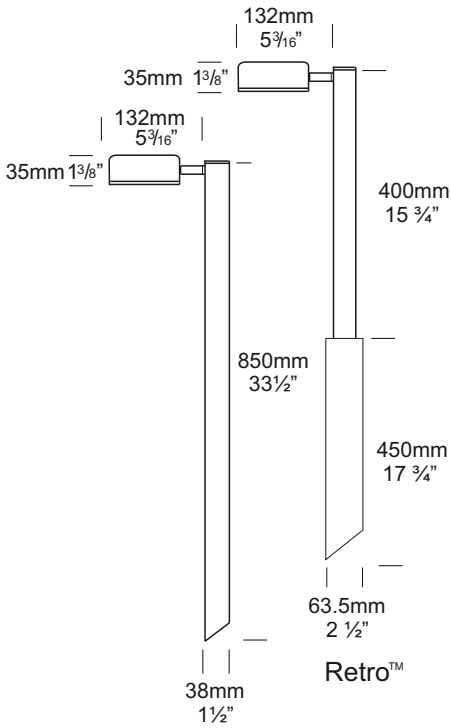
Cat. No. BL/R



The Border Lite is ideal for path lighting giving a wide spread of light with no upward projection. This luminaire has a fully adjustable arm allowing 360 degree rotation and 0 - 90 degree elevation.

The Retro™, which is a mains option, avoids the need to bury a transformer. The 110/240-12 volt electronic transformer is built into the pole and is a double insulated safety isolating transformer, this changes the luminaire to an IP56 rating.

This luminaire is equipped with Hunza's Anti-Syphon™ (not Retro luminaires) system which has been designed to counter the problem of wicking (siphoning) of water through the supply cable into the lamp housing, causing water to condense and dramatically shorten the life of the lamp, lamp holder and luminaire.



## Ordering Information

### Luminaire Type

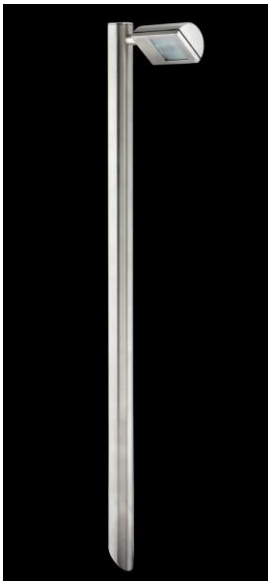
BL - Border Lite

### Material/Finish

BK - Black  
 BZ - Bronze  
 GN - Green  
 STAR - Silver Star  
 WH - White  
 SS - 316 Stainless Steel  
 SBZ - Solid Bronze

### Accessories

CJK150 - Cable Joint Kit  
 LENSBLC - Clear Lens  
 /R - Retro™ Transformer  
 110/240-12 volt  
 For an alternative LED  
 option start at page 10.4



Ordering Example: BL BZ - Border Lite in Bronze  
 BL/R BK - Border Lite Retro™ Black  
 (Accessories ordered separately)

**HUNZA**™ PURE  
 OUTDOOR  
 LIGHTING

**HUNZA FACTORY**  
 130 Felton Mathew Ave  
 Glen Innes  
 Auckland 1072  
 New Zealand

Ph: 64-9-528 9471  
 Fax: 64-9-528 9361  
[hunza@hunza.co.nz](mailto:hunza@hunza.co.nz)  
[www.hunza.co.nz](http://www.hunza.co.nz)

**INTERNATIONAL CONTACTS:**  
[www.hunza.co.nz/contacts.php](http://www.hunza.co.nz/contacts.php)

Specifications may change without notice.  
 Manufactured in New Zealand.

© 2009 Hunza Holdings Ltd.

Ver 1.4

## Luminaire Construction

### Head:

Cast from either 316 Stainless Steel, LG2 Bronze or virgin high corrosion resistant CC401 low copper aluminium alloy, with chromate substrate and high UV resistant polyester powder coat

Colours: Black, Bronze, Green, Silver Star, White.

Poles: Aluminium, Copper, 316 Stainless Steel 38mm (1½") x 850mm (33½") tube.

Retro™: Pole - 38mm (1½") x 410mm (16") tube.

Transformer Pole: 63.5mm (2½") x 440mm (17½").

### Mounting

Pole 850mm (33½") directly mounted into the earth. Retro™ - set in concrete.

## Features

### Cable:

Water resistant rubber with HUNZA™ Anti-Syphon™ water barrier system.

### Lens:

3mm Frosted tempered shatter resistant glass with a Lifetime warranty.

### Gaskets:

Nytrol rubber, 150°C (302°F).

### Lamp Holder:

G4 - 350°C (662°F) ceramic multi contact lamp holder with 250°C (480°F) teflon cables.

### Accessories:

Cable Joint Kit (Cat. CJK150). Not approved for USA/Canada.

Clear Lens (Cat. LENSBLC).

Retro™ transformer 110/240-12 volt (Cat. /R) IP56.

*Note: The Hunza Super Spike is not compatible with the 38mm pole.*

### Swivel:

360° rotation and 0 - 90° elevation, solid brass or stainless steel with anti rust spring.

## Standards

IP56/IP66  UL1838

### Luminaire Weight

12 volt:

Alum .800kg (1lb 8oz)

SS 1.6kg (3lb 8oz)

BRZ 1.7kg (3lb 12oz)

Retro™:

Alum 2.00kg (4lb 6oz)

SS 3.15kg (6lb 15oz)

BRZ 3.4kg (7lb 8oz)

### Power Supply

HUNZA™ Inground or Wall Mount Transformer: not included.

### RETRO™ IP56

HUNZA™ 110/240-12 volt ac potted electronic transformer is built into the pole. Dimmable with a suitable leading edge dimmer. \*Note see page 7.3 for details.

### USA and Canada:

HUNZA™ Wall Mount Transformer: not included.

### Luminaire: supplied with

G4 Bi - Pin 20 watt lamp max.

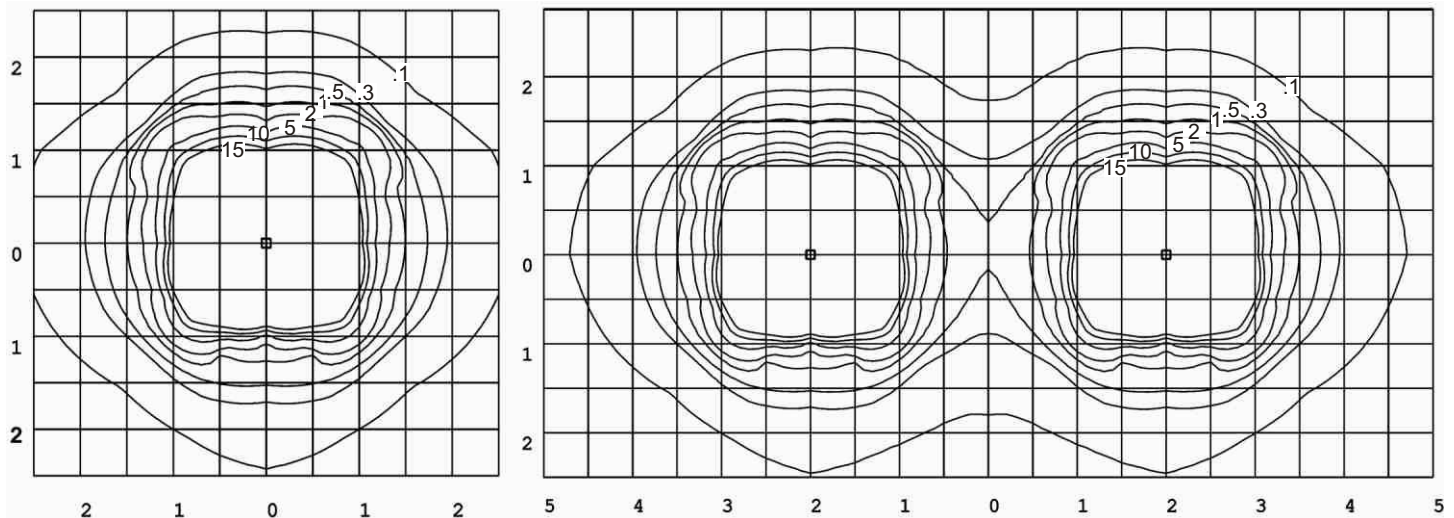
**LED** - Refer sheet no. 10.4

### USA and Canada:

G4 Bi - Pin 20 watt lamp max.

**LED** - Refer sheet no. 10.4

Border Lite G4 20 watt lamp lens height 600mm (24")



**HUNZA™** PURE  
OUTDOOR  
LIGHTING

**HUNZA FACTORY**  
130 Felton Mathew Ave  
Glen Innes  
Auckland 1072  
New Zealand

Ph: 64-9-528 9471  
Fax: 64-9-528 9361  
hunza@hunza.co.nz  
www.hunza.co.nz

**INTERNATIONAL CONTACTS:**  
www.hunza.co.nz/contacts.php

Specifications may change without notice.  
Manufactured in New Zealand.

© 2009 Hunza Holdings Ltd.

Ver 1.4