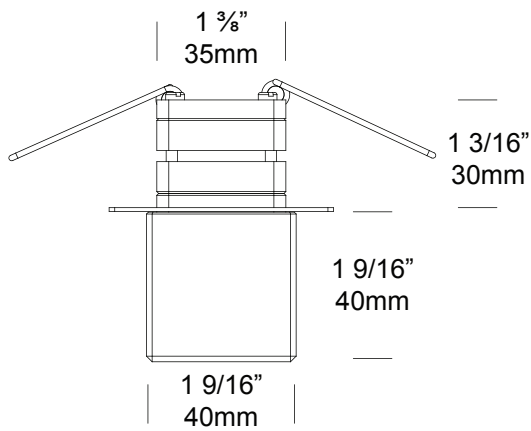


# Cube Eave PURE LED

Cat. No. CEAVE



**PURE LED**  
Pure Performance

The Cube Eave is a contemporary recessed downlight ideal for installation in eaves, soffits, entranceways, verandahs, carports or covered decks. It can also be used in bathrooms, kitchens or where moisture transfer or decibel rating is a minimum requirement.

The Hunza PURE LED system uses Cree XTE chips for maximum performance and long life. Power supply options include a choice of 12 volt driver or an external remote driver (series connection). The PURE LED system incorporates HUNZA's Plug-and-Play system for easy replacement of either the LED engine in the field. Four beam angles and a choice of 3000K, 4000K, 5000K and Blue colour temperatures are available.

## Ordering Information

Luminaire

CEAVE

Driver mA

S - Series

Colour Temp

2 - 2700K  
3 - 3000K  
4 - 4000K  
5 - 5000K  
B - Blue  
39 - 3000K  
(90+ CRI)

Accessories

CJK - Cable Joint Kit

Material/Finish

BK - Black  
WH - White  
BZ - Bronze  
STAR - Silver Star

Ordering Example: CEAVE S 3 CJK BK

**HUNZA**<sup>TM</sup> PURE  
OUTDOOR  
LIGHTING

HUNZA FACTORY  
130 Felton Mathew Ave  
Glen Innes  
Auckland 1072  
New Zealand

Ph: 64-9-528 9471  
Fax: 64-9-528 9361  
hunza@hunza.co.nz  
www.hunza.co.nz

INTERNATIONAL CONTACTS:  
www.hunza.co.nz/contacts.php

Specifications may change without notice.  
Manufactured in New Zealand.  
© 2015 Hunza Holdings Ltd.

## Luminaire Construction

**CNC machined from one of the following metals:**

Aluminium flange: High corrosion resistant 40mm (1 9/16") x 4mm (3/16") aluminium square tube, with chromate substrate and high UV resistant polyester powder coat. Colours: Black, Bronze, White, Silver Star

Head: 40mm (1 9/16") x 40mm (1 9/16") acrylic.

## Features

### Lens:

Acrylic lens with lifetime warranty. **Do not** clean with petrochemical substances.

### Gasket:

Silicone, iron impregnated 220°C (428°F)

### Accessories:

Cable Joint Kit (Cat. CJK150)

### Mounting

The fixture is designed to fit a 35mm hole and fixed into position by two spring clips. Make a waterproof seal when fixing the flange against the ceiling.

## Technical Information

### Standards

AS/NZS 61046  
IP66 Non-UL

### LED

Cree XTE Plug and Play, field replaceable LED board.

**Lumen Output:** 200 at 1050mA

**Lumens Per Watt:** 67 minimum

**CRI Warm White (3000k):** 85+

**Colour Temp:** 3,000K, 4,000K, 5000K, and Blue.

**High CRI Option (3000K):** 90+  
(lumen output decreases by 15%)

### Power Supply

#### External (Series) Driver

Constant current driver

Output: 3vdc at 1050mA maximum