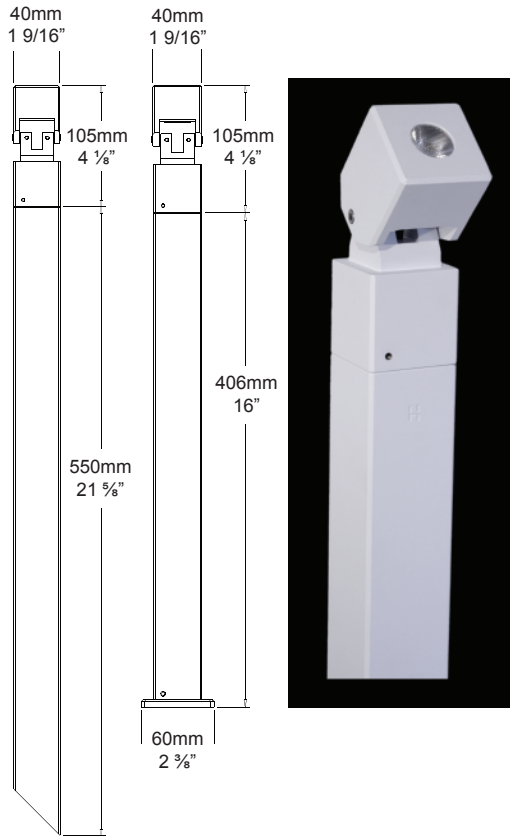


Cube Pole Spot PURE LED

Cat. No. CPS



PURE LED
Pure Performance



The Cube Pole Spot is ideal for path lighting or tree lighting. It has a fully adjustable head.

The Cube Pole Spot is constructed from solid Aluminium finished with a polyester UV stable powder coat.

The Hunza PURE LED system uses Cree XTE chips for maximum performance and long life. Power supply is a remote 12 volt driver (series connection). The PURE LED system incorporates HUNZA's Plug-and-Play system for easy replacement of the LED light engine. Four beam angles and a choice of 3000K, 4000K, 5000K and Blue colour temperatures are available.

Ordering Information

Luminaire	Driver mA	Beam Angle	Colour Temp	Accessories	Material/Finish
CPS	S - Series D3 - 12v 350mA D7 - 12v 700mA	15 - 15° TIR Lens 25 - 25° TIR Lens 45 - 45° TIR Lens	2 - 2700K 3 - 3000K 4 - 4000K 5 - 5000K B - Blue 39 - 3000K (90+ CRI)	FM - Flange Mount CJK - Cable Joint Kit	BK - Black BZ - Bronze WH - White STAR - Silver Star

Ordering Example: CPS S 15 3 FM BK

HUNZATM
PURE
OUTDOOR
LIGHTING

HUNZA FACTORY
130 Felton Mathew Ave
Saint Johns
Auckland 1072
New Zealand

Ph: 64-9-528 9471
Fax: 64-9-528 9361
hunza@hunza.co.nz
www.hunza.co.nz

INTERNATIONAL CONTACTS:
www.hunza.co.nz/contacts.php

Specifications may change without notice.
Manufactured in New Zealand.
© 2014 Hunza Holdings Ltd.

Luminaire Construction

CNC machined from one of the following metals:

Aluminium

Pole: High corrosion resistant 40mm (1 9/16") x 4mm (3/16") aluminium square tube
Head: 40mm (1 9/16") x 40mm (1 9/16") solid aluminium, with chromate substrate and high UV resistant polyester powder coat.
Colours: Black, Bronze, White, Silver Star.

Luminaire Features

Lens

Acrylic TIR lens.

Gasket

Silicone, iron impregnated 220°C (428°F)

Accessories

Cable Joint Kit (Cat. CJK150)
Flange Mount (Cat. FM)

Mounting

Set in concrete in the ground or specify with flange mount option, which bolts into concrete, tiling or wooden deck.

Technical Information

Standards

AS/NZS 61046
IP66/IP67, UL 1838, 2108

LED

Cree XTE Plug-and-Play, field replaceable LED board.

Lumen Output: 200 @ 1050mA

Lumens Per watt: 67 minimum

CRI Warm White (3000k): 85+

Colour Temp: 2700K, 3000K, 4000K, 5000K or Blue.

High CRI Option (3000K): 90+ (lumen output decreases by 15%)

Power Supply

External (Series) Driver Constant current driver

Output: 3vdc at 1050mA maximum

Integral 12 Volt Driver Buckbullet Driver:

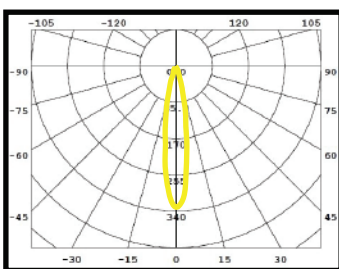
Input: 12vac 3watt at 700mA

Output: 3vdc nominal, 350mA or 700mA

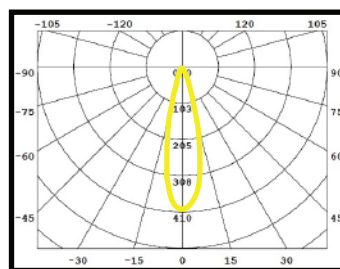
Transformer

Hunza wall Mount Transformer for use with integral 12 volt driver

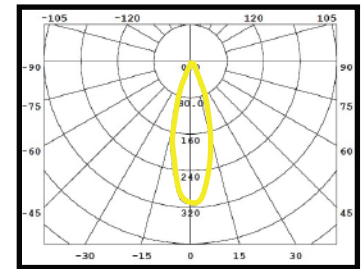
Reflector Beam Angles



15° TIR Lens



25° TIR Lens



45° TIR Lens