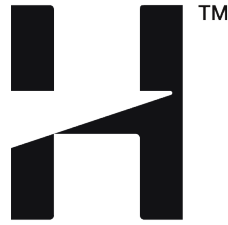
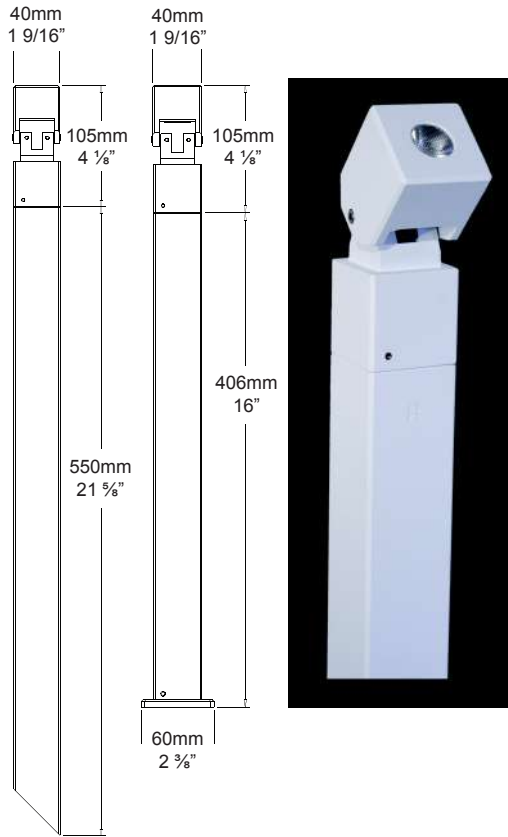


# Cube Pole Spot PURE LED

Cat. No. CPS



**PURE LED**  
Pure Performance



The Cube Pole Spot is ideal for path lighting or tree lighting. It has a fully adjustable head.

The Cube Pole Spot is constructed from solid Aluminium finished with a polyester UV stable powder coat.

The Hunza PURE LED system uses Cree XTE chips for maximum performance and long life. Power supply is a remote 12 volt driver (series connection). The PURE LED system incorporates HUNZA's Plug-and-Play system for easy replacement of the LED light engine. Four beam angles and a choice of 3000K, 4000K, 5000K and Blue colour temperatures are available.

## Ordering Information

Luminaire	Driver mA	Beam Angle	Colour Temp	Accessories	Material/Finish
CPS	S - Series D3 - 12v 350mA D7 - 12v 700mA	15 - 15° TIR Lens 25 - 25° TIR Lens 45 - 45° TIR Lens 60 - 60° TIR Lens	3 - 3000K 4 - 4000K 5 - 5000K B - Blue	FM - Flange Mount CJK - Cable Joint Kit	BK - Black BZ - Bronze WH - White STAR - Silver Star

Ordering Example: CPS S 15 3 FM BK

**HUNZA**<sup>TM</sup> PURE  
OUTDOOR  
LIGHTING

HUNZA FACTORY  
130 Felton Mathew Ave  
Saint Johns  
Auckland 1072  
New Zealand

Ph: 64-9-528 9471  
Fax: 64-9-528 9361  
hunza@hunza.co.nz  
www.hunza.co.nz

INTERNATIONAL CONTACTS:  
[www.hunza.co.nz/contacts.php](http://www.hunza.co.nz/contacts.php)

Specifications may change without notice.  
Manufactured in New Zealand.  
© 2014 Hunza Holdings Ltd.

## Luminaire Construction

CNC machined from one of the following metals:

### Aluminium

Pole: High corrosion resistant 40mm (1 9/16") x 4mm (3/16") aluminium square tube  
Head: 40mm (1 9/16") x 40mm (1 9/16") solid aluminium, with chromate substrate and high UV resistant polyester powder coat.  
Colours: Black, Bronze, White, Silver Star.

## Luminaire Features

### Lens

TIR lens with lifetime warranty.

### Gasket

Silicone, iron impregnated 220°C (428°F)

### Accessories

Cable Joint Kit (Cat. CJK150)  
Flange Mount (Cat. FM)

### Mounting

Set in concrete in the ground or specify with flange mount option, which bolts into concrete, tiling or wooden deck.

## Technical Information

### Standards

AS/NZS 61046  
IP66

### LED

Cree XTE Plug-and-Play, field replaceable LED board.

**Lumen Output:** 70 @ 350mA  
120 @ 700mA

**Lumens Per watt:** 70 @ 1 watt  
60 @ 2 watts

**CRI Warm White (3000k):** 85+  
**Colour Temp:** 3,000 or 4,000K

### Power Supply

#### External (Series) Driver

Constant current driver  
Output: 3vdc at 1050mA maximum

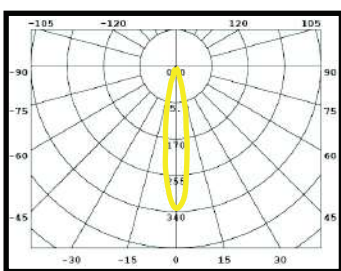
#### Integral 12 Volt Driver

Buckbullet Driver:  
Input: 12vac 3watt at 700mA  
Output: 3vdc nominal, 350mA or 700mA

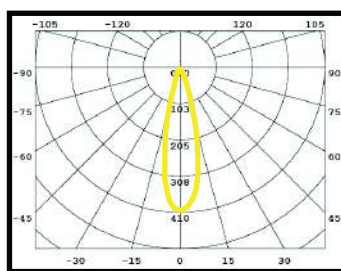
#### Transformer

Hunza wall Mount Transformer for use with integral 12 volt driver

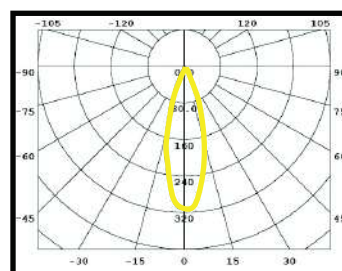
## Reflector Beam Angles



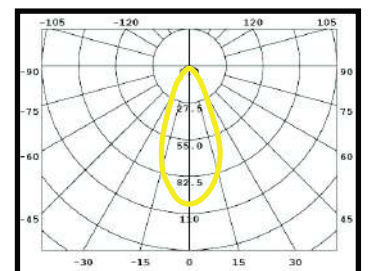
15° TIR Lens



25° TIR Lens



45° TIR Lens



60° TIR Lens