

## Down Lite High Power PURE LED

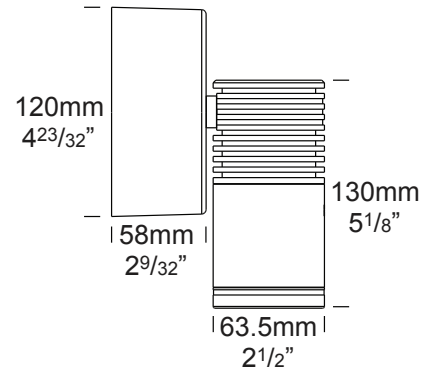
PROJECT:
TYPE:
SOURCE:
NOTES:

### SPECIFICATIONS



<b>LED Chip</b>	Cree XHP-50-2 Plug and Play field replaceable LED board
<b>Luminaire Output</b>	1000 Lumens @ 2080mA (12 watts), delivered from luminaire with unobstructed beam.
<b>Lumens Per Watt</b>	83 Lumens minimum @ 12 watts, delivered from luminaire with unobstructed beam
<b>CRI (3000K)</b>	85+ Standard, 90+ Optional
<b>Colour Temperatures</b>	2700K, 3000K, 4000K
<b>Beam Angles</b>	15, 25, 38, 60
<b>Ingress Protection</b>	IP66

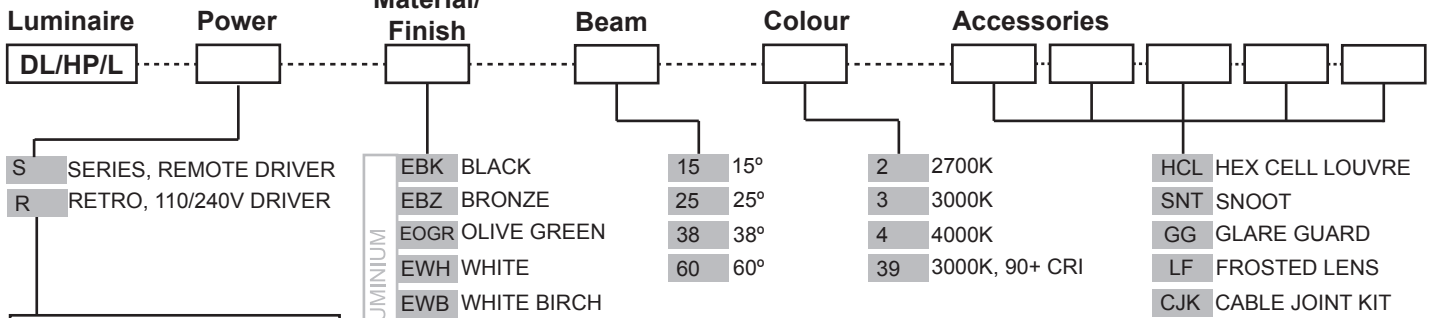
<b>Warranty</b>	Electronics = 5 years Body Aluminium = 5 years
<b>Standards</b>	AS/NZS 61046, EN60598 cUL 1838, 2108, 1598 CSA C22.2 No. 250.7, No. 250.0-08, No. 250.0 CE



### PRODUCT CONFIGURATION

Please fill in appropriate codes into boxes provided

Cat. No. DL/HP/L



**SERIES, REMOTE DRIVER REQUIRED:**  
Constant current driver  
Individual fixtures require 6vdc @ 2080mA maximum

**110/240VAC RETRO DRIVER:**  
Input: 90/305vac, 13 watt total (driver included)  
Output: 6vdc, 2080mA  
0-10 volt dimming  
(USA - non dimming)

ADDITIONAL COMMENTS:

[Please click for Hunza Power Supply selection Chart](#)  
[Please click for Hunza Voltage drop Chart](#)

# LUMINAIRE CONSTRUCTION

**CNC machined from one of the following metals:**

**Aluminium:**

Body: high corrosion resistant 63.5mm solid aluminium tube with chromate substrate and high UV resistant polyester "E" powder coat.

Colours:

Black, Bronze, Silver Star, White, White Birch, Olive Green, Dark Grey, Corten.

**Lens:**

10mm (3/8") Extra clear, low iron, shatter resistant glass.  
Lifetime warranty.

**Gaskets:**

Silicone, iron impregnated 220°C (428°F)

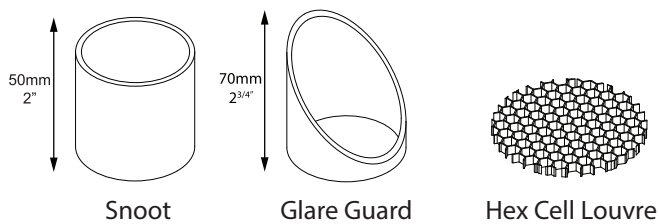
**Mounting:**

A mounting plate is fixed to the wall using two screws and the luminaire is fitted to the mounting plate.

**Luminaire Weight:**

Low voltage:  
Alum: 0.870 (1lb 15oz)

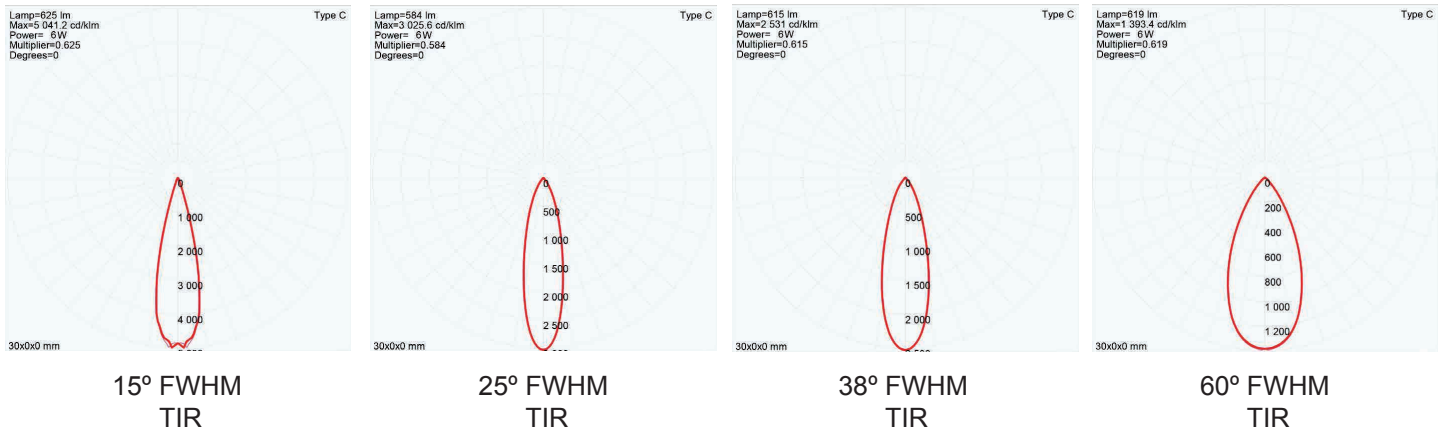
## ACCESSORIES



## BEAM ANGLES

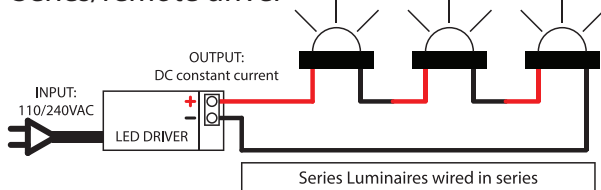
High efficiency PMMA TIR lenses. Field replaceable

IES files available for download: <http://www.hunzalighting.com/download.php>



## WIRING GUIDE

Series/remote driver



Diagrams are a guide only, wire colours and polarity may change depending on fixture and country

available for download: <http://www.hunzalighting.com/download.php>

12v integral driver

