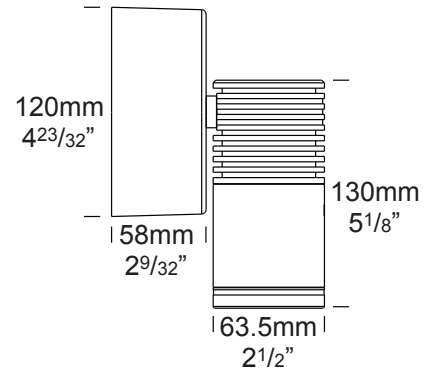


## Down Lite High Power PURE LED

|          |
|----------|
| PROJECT: |
| TYPE:    |
| SOURCE:  |
| NOTES:   |

### SPECIFICATIONS



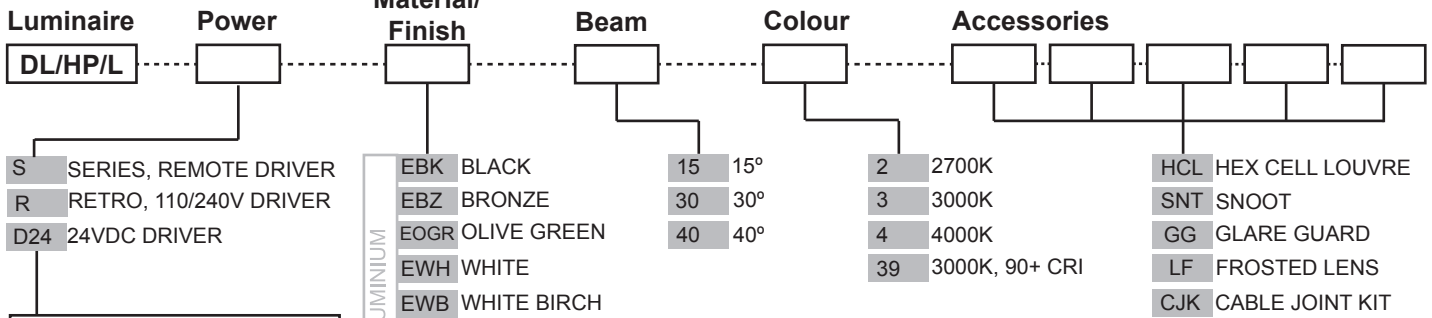
|                            |  |
|----------------------------|--|
| <b>LED Chip</b>            | Cree CXA1512 Plug and Play field replaceable LED board                         |
| <b>Luminaire Output</b>    | 1200 Lumens @ 700mA delivered from luminaire with unobstructed beam.           |
| <b>Lumens Per Watt</b>     | 100 Lumens minimum @ 12 watts, delivered from luminaire with unobstructed beam |
| <b>CRI (3000K)</b>         | 85+ Standard, 90+ Optional   |
| <b>Colour Temperatures</b> | 2700K, 3000K, 4000K  |
| <b>Beam Angles</b>         | 15, 30, 40   |
| <b>Ingress Protection</b>  | IP66   |

|                  |   |
|------------------|---|
| <b>Warranty</b>  | Electronics = 5 years<br>Body Aluminium = 5 years   |
| <b>Standards</b> | AS/NZS 61046, EN60598<br>cUL 1838, 2108, 1598<br>CSA C22.2 No. 250.7, No. 250.0-08, No. 250.0<br>CE |

### PRODUCT CONFIGURATION

Please fill in appropriate codes into boxes provided

Cat. No. DL/HP/L



**SERIES, REMOTE DRIVER REQUIRED:**  
Constant current driver  
Individual fixtures require 18vdc @ 700mA maximum

**110/240VAC RETRO DRIVER:**  
Input: 90/305vac, 13 watt total (driver included)  
Output: 18vdc, 700mA  
0-10 volt dimming (USA - non dimming)

**24VDC DRIVER:**  
Input: 24vdc  
Output: 18vdc @ 700mA constant current

ADDITIONAL COMMENTS:

# LUMINAIRE CONSTRUCTION

**CNC machined from one of the following metals:**

**Aluminium:**

Body: high corrosion resistant 63.5mm solid aluminium tube with chromate substrate and high UV resistant polyester "E" powder coat.

Colours:

Black, Bronze, Silver Star, White, White Birch, Olive Green, Dark Grey, Corten.

**Lens:**

10mm (3/8") Extra clear, low iron, shatter resistant glass.  
Lifetime warranty.

**Gaskets:**

Silicone, iron impregnated 220°C (428°F)

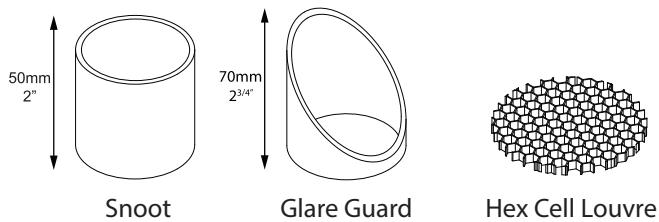
**Mounting:**

A mounting plate is fixed to the wall using two screws and the luminaire is fitted to the mounting plate.

**Luminaire Weight:**

Low voltage:  
Alum: 0.870 (1lb 15oz)

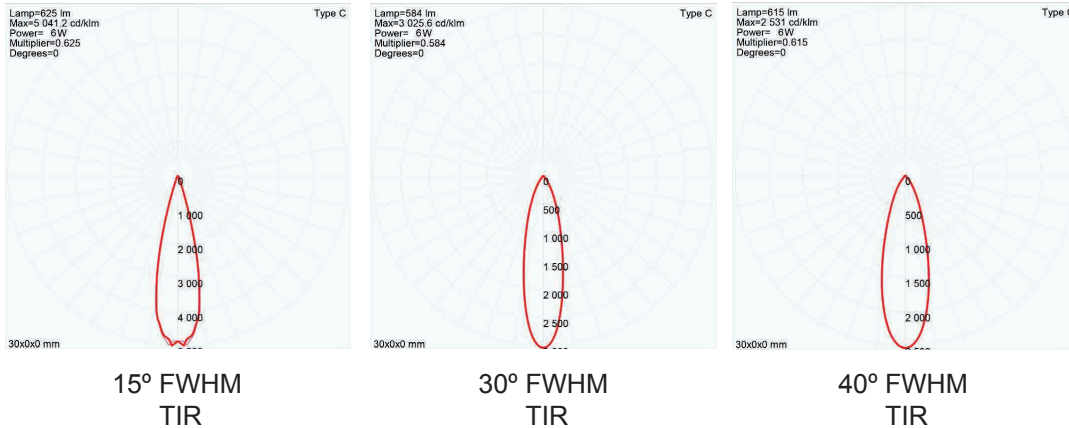
## ACCESSORIES



## BEAM ANGLES

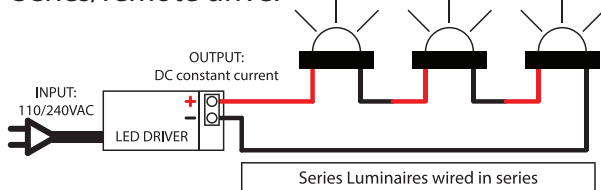
High efficiency PMMA TIR lenses. Field replaceable

IES files available for download: <http://www.hunzalighting.com/download.php>



## WIRING GUIDE

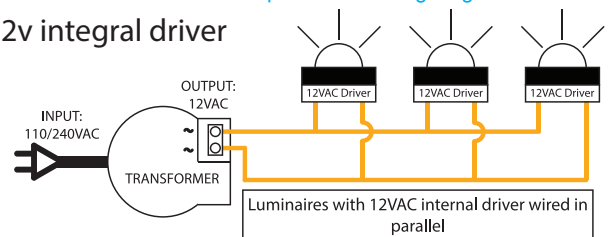
Series/remote driver



Diagrams are a guide only, wire colours and polarity may change depending on fixture and country

available for download: <http://www.hunzalighting.com/download.php>

12v integral driver



Specifications may change without notification

Aug 2017