

EPTRONICS

Retro Constant Current Driver

Cat. No. LD-12W-12-C1000



The EPTronics LD-12W-12-CO1000 is a 12 Watt electronic, constant current, Retro driver supplied with HUNZA pole-mount Retro PURE LED fixtures equipped with Cree MTG LED chips. It is non-dimmable.

Electrical Specification

- Input voltage range: 100 to 277VAC
- Frequency: 47~ 63HZ
- Power Factor: > .94 at full load 120Vac/230Vac 50/60Hz
- Inrush current: <10A at 25C, 230V, cold start, Max. Load
- Input current: 0.15A at 120Vac, 60Hz, Maximum Load
- Efficiency: 78% at 120Vac 60Hz, 230Vac 50Hz
- Maximum output power: 12W
- Output voltage range: 6-12 VDC
- Output constant current: 1000mA

Safety and Compliance

- UL8750, EN61347, CSA 22.2 safety compliant
- FCC, 47CFR Part 15 Class B compliant
- Water resistant and Dust Proof Design: IP66, NEMA4, for Dry, Damp, Wet Locations.
- Safety Isolation between Primary and Secondary Meets EN61000-3-2 & EN61000-3-3 Class C
- Protection: output over-voltage, output over-current, output short circuit, auto-recovery
- Transient protection built in.

Environmental

- Operating temperature: Tc 80C Maximum.
- Reference -30 to +60°C ambient
- Storage temperature range: -40 to +85°C
- Humidity (non-condensing): 5% - 95%RH
- Cooling: Convection
- Vibration Frequency: 5-55Hz/2g, 30 minutes
- Impact resistance: 1g/s



IP66

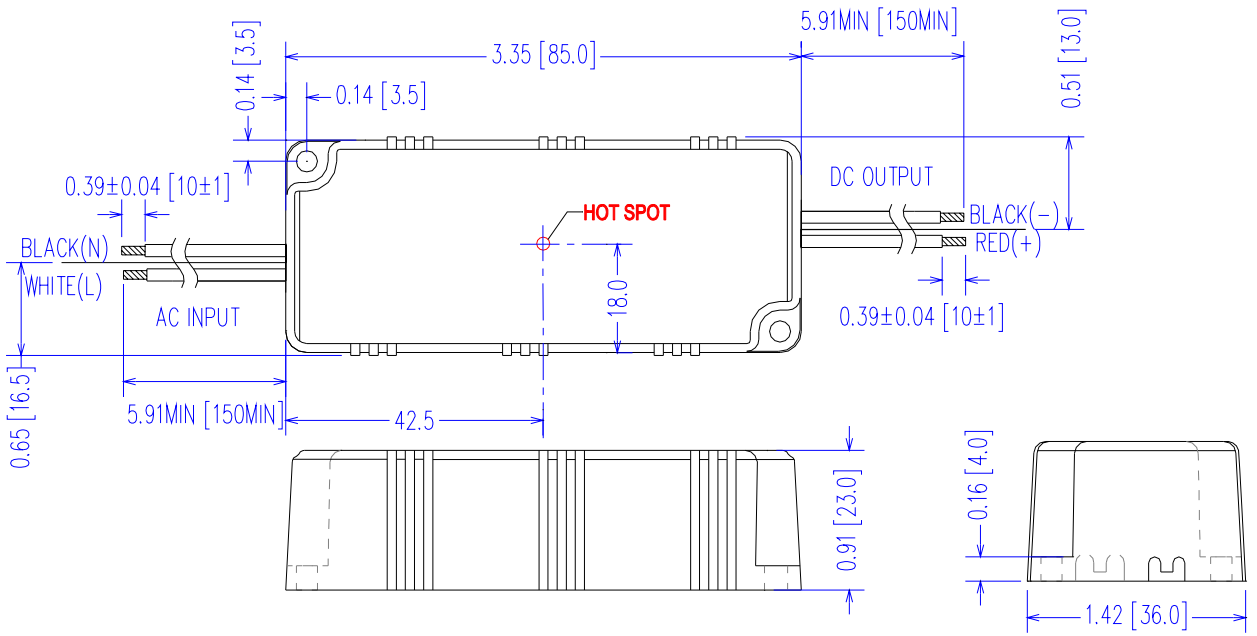


HUNZA™ PURE
OUTDOOR
LIGHTING

HUNZA FACTORY
130 Felton Mathew Ave
Glen Innes
Auckland 1072
New Zealand

Ph: 64-9-528 9471
Fax: 64-9-528 9361
hunza@hunza.co.nz
www.hunzalighting.com

INTERNATIONAL CONTACTS:
www.hunzalighting.com/contact.php
Specifications may change without notice.
Manufactured in New Zealand.
2016 Hunza Productions Ltd.



HUNZA™ PURE
OUTDOOR
LIGHTING

HUNZA FACTORY
130 Felton Mathew Ave
Glen Innes
Auckland 1072
New Zealand

Ph: 64-9-528 9471
Fax: 64-9-528 9361
hunza@hunza.co.nz
www.hunzalighting.com

INTERNATIONAL CONTACTS:
www.hunzalighting.com/contact.php
Specifications may change without notice.
Manufactured in New Zealand.
2016 Hunza Productions Ltd.