

# EPTRONICS

## Constant Current Driver

Cat. No. LD-12W-36-CO350



The EPtronics LD-12W-36-CO350 is a 12 Watt electronic, constant current, remote driver available to power Hunza series version PURE LED fixtures in the USA market. It is non-dimmable.

For exterior use, it is highly recommended to install this in a weatherproof box, available as an option from Hunza. The PC-17-02 weatherproof box is a requirement for UL compliance.

When this driver is used as a remote power supply, SERIES WIRING is required to connect the fixtures. Please refer to the Hunza PURE LED Series Wiring page for more information on wiring diagrams and fixture loads per driver.

### Electrical Specification

- Input voltage range: 100 to 277VAC
- Frequency: 47~ 63HZ
- Power Factor: > .94 at full load 120Vac/230Vac 50/60Hz
- Inrush current: <10A at 25C, 230V, cold start, Max. Load
- Input current: 0.15A at 120Vac, 60Hz, Maximum Load
- Efficiency: 78% at 120Vac 60Hz, 230Vac 50Hz
- Maximum output power: 12.6W
- Output voltage range: 18-36 VDC
- Output constant current: 350mA

### Safety and Compliance

- UL8750, EN61347, CSA 22.2 safety compliant
- FCC, 47CFR Part 15 Class B compliant
- Water resistant and Dust Proof Design: IP66, NEMA4, for Dry, Damp, Wet Locations.
- Safety Isolation between Primary and Secondary Meets EN61000-3-2 & EN61000-3-3 Class C
- Protection: output over-voltage, output over-current, output short circuit, auto-recovery
- Transient protection built in.

### Environmental

- Operating temperature: Tc 80C Maximum.
- Reference -30 to +60°C ambient
- Storage temperature range: -40 to +85°C
- Humidity (non-condensing): 5% - 95%RH
- Cooling: Convection
- Vibration Frequency: 5-55Hz/2g, 30 minutes
- Impact resistance: 1g/s



IP66

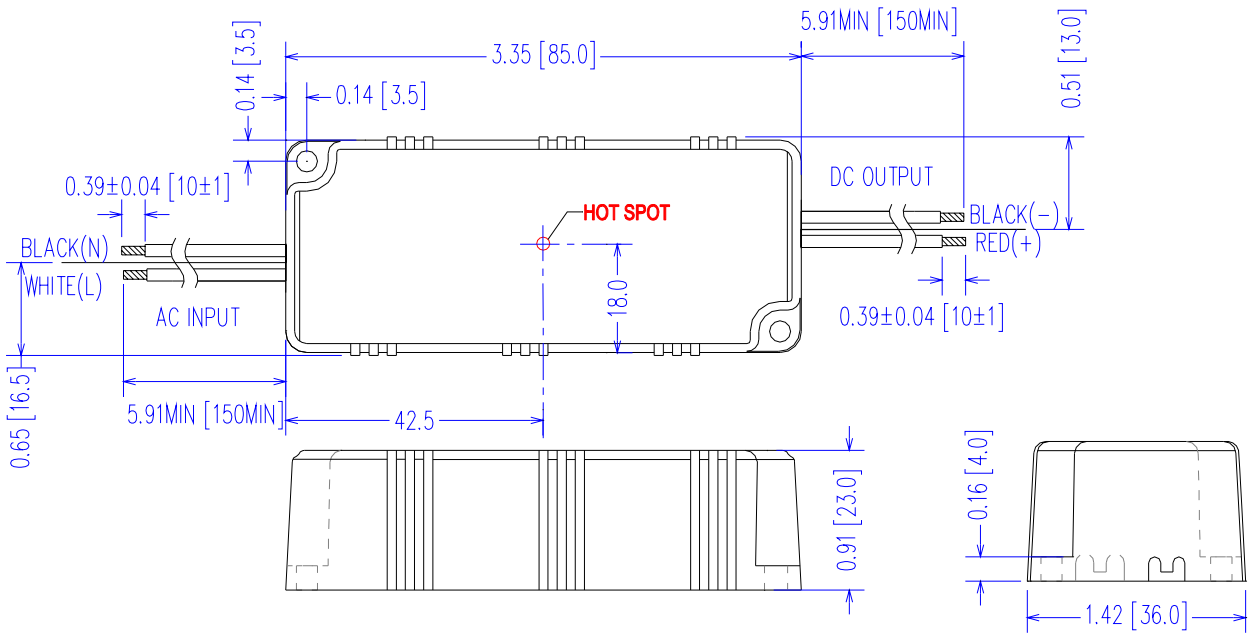


**HUNZA**™ PURE  
OUTDOOR  
LIGHTING

**HUNZA FACTORY**  
130 Felton Mathew Ave  
Glen Innes  
Auckland 1072  
New Zealand

Ph: 64-9-528 9471  
Fax: 64-9-528 9361  
hunza@hunza.co.nz  
[www.hunzalighting.com](http://www.hunzalighting.com)

**INTERNATIONAL CONTACTS:**  
[www.hunzalighting.com/contact.php](http://www.hunzalighting.com/contact.php)  
Specifications may change without notice.  
Manufactured in New Zealand.  
2016 Hunza Productions Ltd.



**HUNZA**™ PURE  
OUTDOOR  
LIGHTING

**HUNZA FACTORY**  
130 Felton Mathew Ave  
Glen Innes  
Auckland 1072  
New Zealand

Ph: 64-9-528 9471  
Fax: 64-9-528 9361  
hunza@hunza.co.nz  
www.hunzalighting.com

**INTERNATIONAL CONTACTS:**  
www.hunzalighting.com/contact.php  
Specifications may change without notice.  
Manufactured in New Zealand.  
2016 Hunza Productions Ltd.