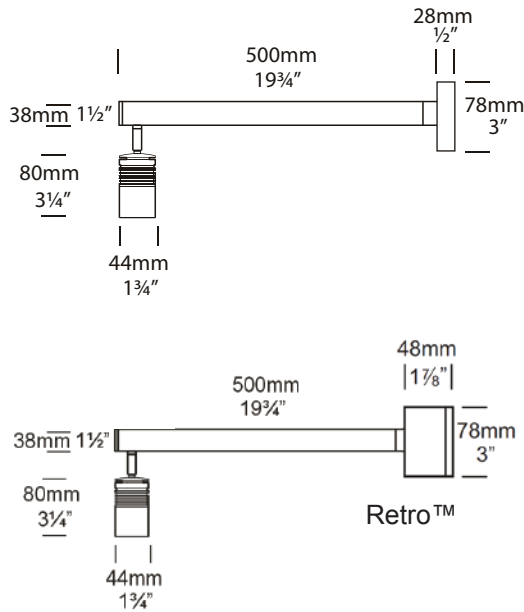


Euro Sign Lite PURE LED

Cat. No. ESGNL/L



PURE LED
Pure Performance

The Euro Sign Lite is an extra compact luminaire designed for situations where the fixture needs to be very unobtrusive or concealed. This luminaire has been developed for lighting signs, wall displays, building highlights and external barbeques. Hunza Euro fixtures have a contemporary, discreet appearance but are still able to provide excellent illumination.

This luminaire is machined from natural copper or solid 316 stainless steel. It features an extra clear, low iron tempered flush lens and high temperature silicon gaskets.

The Hunza PURE LED system uses Cree MT-G 2 chips for maximum performance and long life. Power supply options include a choice of integral 12 or 120/240 volt (Retro) drivers. There is also an external remote (series connection) driver option. The PURE LED system incorporates Hunza's Plug and Play system for easy replacement of the LED engine. Four beam angles, and a choice of a Warm or Cool White colour temperatures are available.

*At 350mA this fixture is the equivalent of a 25watt halogen fitting.

*At 700mA this fixture is the equivalent of a 35watt halogen fitting.

Ordering Information

Luminaire	Driver mA	Beam Angle	Colour Temp	Accessories	Material/Finish
EDL/L	S - Series D3 - 12v 350mA D7 - 12v 700mA R - 240v Retro RU - 110v Retro	15 - 15° TIR Lens 25 - 25° TIR Lens 38 - 38° TIR Lens 60 - 60° TIR Lens	2 - 2700K 3 - 3000K 4 - 4000K 39 - 3000K (90+ CRI)	CJK150 - Cable Joint Kit EURF - Frosted Lens WBAP - Wall Box Adaptor	COP - Copper SS - 316 Stainless

Ordering Example: ESGNL/L S 15 3 CJK150 BK

HUNZA™ PURE OUTDOOR LIGHTING

HUNZA FACTORY
130 Felton Mathew Ave
Saint Johns
Auckland 1072
New Zealand

Ph: 64-9-528 9471
Fax: 64-9-528 9361
hunza@hunza.co.nz
www.hunza.co.nz

INTERNATIONAL CONTACTS:
www.hunza.co.nz/contacts.php

Specifications may change without notice.
Manufactured in New Zealand.
© 2014 Hunza Holdings Ltd.

Luminaire Construction

CNC machined from one of the following metals:

Copper

Body: 45.4mm (1¾") copper rod.
Pole: Copper 38mm (1½") x 550mm (21⅝") tube.

Stainless Steel

Body: 45.4mm (1¾") 316 stainless steel rod.
Pole: 316 Stainless 38mm (1½") x 550mm (21⅝") tube.

Luminaire Weight

12 volt Cop 2.000kg (4lb 6oz)
SS 1.500kg (4lb 6oz)

Features

Lens

6mm (15/64") extra clear low iron flush fit shatter resistant glass.
Lifetime Warranty.

Gasket

Silicone, iron impregnated 220°C (428°F)

Accessories

Cable Joint Kit (Cat. CJK150)
Frosted Lens (Cat. EURF)
Wall Box Adaptor (Cat. WBAP)

Mounting

The luminaire is mounted to the wall using two 316 stainless screws through a shallow base 16mm (5/8") in depth. A Wall Box Adaptor Plate is available as an accessory to fit 3.0 and 4.0 Junction boxes for USA/Canada.

Retro™ luminaire (110/240volt):
A mounting plate is fixed to the wall using two screws and the luminaire is fitted to the mounting plate.

Technical Information

Standards

AS/NZS 61046
IP56/IP66 UL 1838

LED

Cree MTG-2 Plug and Play, field replaceable PCB boards
Lumen Output: 420 at 700mA
Lumens Per Watt: 105 at 4watts
CRI Warm White (3000K): 85+
Colour Temp: 2700K, 3000K and 4000K
High CRI Option (3000K): 90+
(lumen output decreases by 15%)

Power Supply

External (Series) Driver

Constant current driver
Output: 6vdc at 700mA maximum

Integral 12 Volt Driver

Hunza™ Plug and Play Driver
Input: 12vac, 5watt total
Output: 6vdc nominal, 350 / 700mA

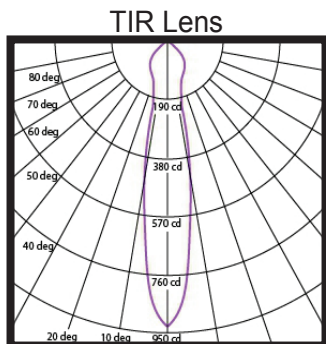
Transformer

Hunza™ Wall Mount Transformer
for use with integral 12v driver

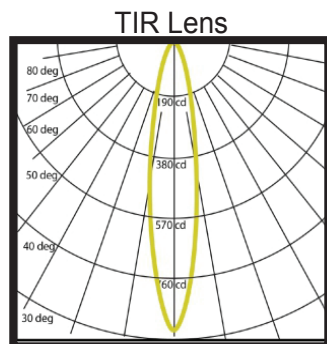
Retro 110/240 Volt Driver

Hunza™ Retro Driver
Input: 120/240vac, 5watt total
Output: 6vdc, 700mA
0-10 volt dimming

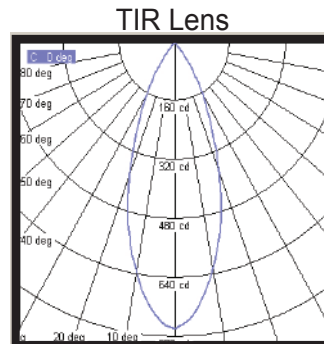
Reflector Beam Angles



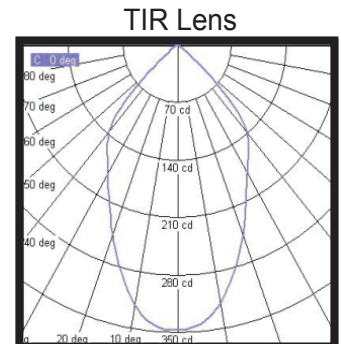
15° Angle
3000 K



25° Angle
3000 K



38° Angle
3000 K



60° Angle
3000 K

HUNZA™ PURE
OUTDOOR
LIGHTING

HUNZA FACTORY
130 Felton Mathew Ave
Saint Johns
Auckland 1072
New Zealand

Ph: 64-9-528 9471
Fax: 64-9-528 9361
hunza@hunza.co.nz
www.hunza.co.nz

INTERNATIONAL CONTACTS:
www.hunza.co.nz/contacts.php

Specifications may change without notice.
Manufactured in New Zealand.
© 2014 Hunza Holdings Ltd.