

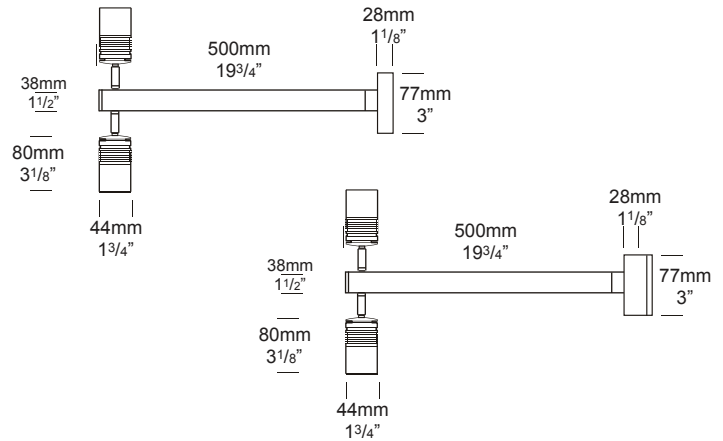
Euro Twin Sign Lite PURE LED

PROJECT:
TYPE:
SOURCE:
NOTES:

SPECIFICATIONS PER HEAD



LED Chip	Cree XPG-50-2 Plug and Play field replaceable LED board
Luminaire Output	420 Lumens @ 700mA (4 watts), 240 Lumens @ 350mA (2 watts), delivered from luminaire with unobstructed beam.
Lumens Per Watt	105 Lumens minimum @ 4 watts, delivered from luminaire with unobstructed beam
CRI (3000K)	85+ Standard, 90+ Optional
Colour Temperatures	2700K, 3000K, 4000K
Beam Angles	15, 25, 38, 60
Ingress Protection	IP66
Warranty	Electronics = 5 years Body Cop/ SS = 10 years
Standards	AS/NZS 61046, EN60598 cUL 1838, 2108, 1598 CSA C22.2 No. 250.7, No. 250.0-08, No. 250.0 CE



PRODUCT CONFIGURATION

Please fill in appropriate codes into boxes provided

Cat. No. ETSGNL/L

Luminaire	Power	Material/ Finish	Beam	Colour	Accessories
ETSGNL/L					
S SERIES, REMOTE DRIVER		COP SOLID COPPER	15 15°	2 2700K	LF FROSTED LENS
D3 12VAC, 2W INTEGRAL		SS STAINLESS STEEL	25 25°	3 3000K	CJK CABLE JOINT KIT
D7 12VAC, 4W INTEGRAL			38 38°	4 4000K	LKN LOCKING KNUCKLE
R RETRO, 110/240V DRIVER			60 60°	39 3000K, 90+ CRI	HCL HEX CELL LOUVRE

SERIES, REMOTE DRIVER REQUIRED:
Constant current driver
Individual fixtures require 12vdc @ 700mA maximum

12VAC INTEGRAL DRIVER:
Hunza integrated Plug and Play Driver (included)
Input: 12VAC, 5watt total.
Output: 6vdc @ D3=350mA, D7=700mA

110/240VAC RETRO DRIVER:
Input: 120/240vac, 10 watt total (driver included)
Output: 12vdc, 700mA
0-10 volt dimming
(USA - non dimming)

ADDITIONAL COMMENTS:

[Please click for Hunza Power Supply selection Chart](#)
[Please click for Hunza Voltage drop Chart](#)

LUMINAIRE CONSTRUCTION

CNC machined from one of the following metals:

Copper:

Body: 45.4mm x 80mm (1³/₄" x 3¹/₈") copper rod.

Pole: 38mm x 500mm (1¹/₂" x 19³/₄") copper tube.

316 Stainless Steel

Body: 45.4mm x 80mm (1³/₄" x 3¹/₈") stainless steel rod.

Pole: 38mm x 500mm (1¹/₂" x 19³/₄") stainless steel tube.

Lens:

6mm (1/4") extra clear low iron flush fit shatter resistant glass.

Lifetime Warranty.

Gaskets:

Silicone, iron impregnated 220°C (428°F)

Knuckles:

Copper luminaires: 360° rotation and 0-90° elevation, solid brass with anti rust spring.
Stainless Steel luminaires: 360° rotation and 0-90° elevation, full stainless steel construction.

Mounting:

12 volt: The luminaire is mounted to the wall using two 316 stainless screws through a shallow base 15mm (5/8") in depth. A Wall Box Adaptor Plate is available as an accessory to fit 3.0 and 4.0 Junction boxes for USA/Canada.

Retro™ (110/240-12volt): A mounting plate is fixed to the wall using two screws and the luminaire is fitted to the mounting plate.

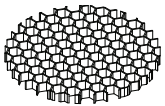
Luminaire Weight:

Low Voltage

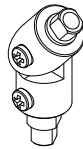
Cop: 2.000kg (4lb 7oz)

SS: 1.500kg (3lb 5oz)

ACCESSORIES



Hex Cell Louvre

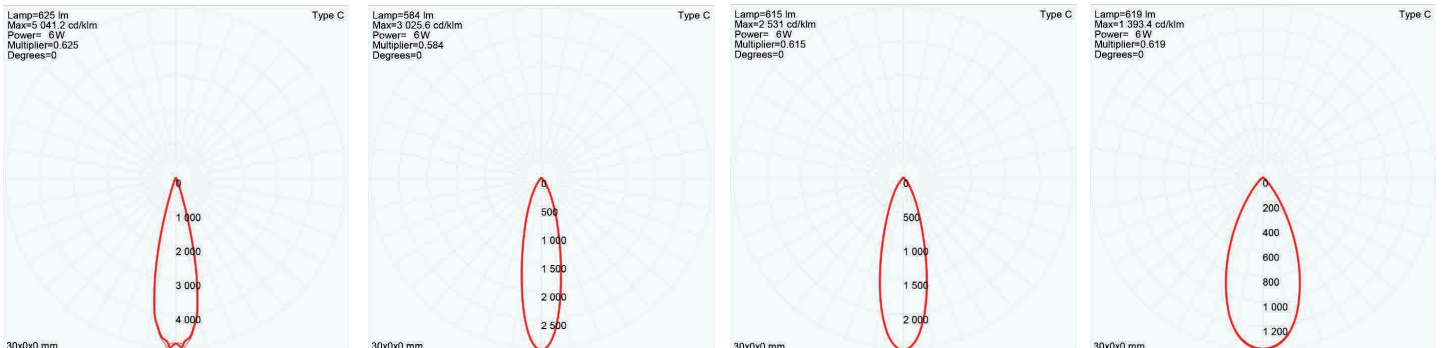


Locking Knuckle

BEAM ANGLES

High efficiency PMMA TIR lenses. Field replaceable

IES files available for download: <http://www.hunzalighting.com/download.php>



15° FWHM TIR

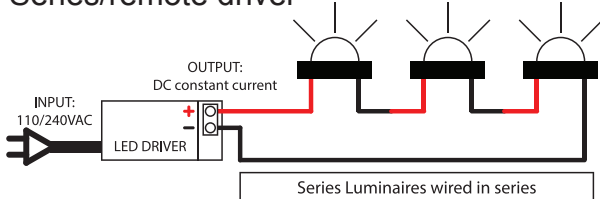
25° FWHM TIR

38° FWHM TIR

60° FWHM TIR

WIRING GUIDE

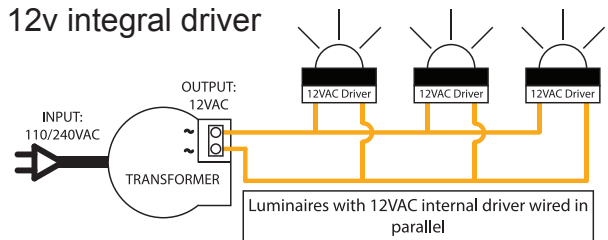
Series/remote driver



Diagrams are a guide only, wire colours and polarity may change depending on fixture and country

available for download: <http://www.hunzalighting.com/download.php>

12v integral driver



Specifications may change without notification

Aug 2017