

EAGLERISE

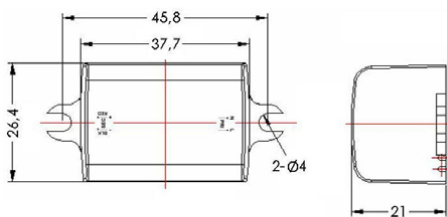
Retro Constant Current Driver

Cat. No. SLP03SS (350mA)

SLP03SS1 (700mA)



The Eaglerise SLP03SS and SLP03SS1 are 3 Watt electronic, constant current, Retro drivers supplied with HUNZA Retro Mouse Lites. They are non-dimmable. Non-UL.



Drawing for output

Drawing for input



Electrical	SLP03SS	SLP03SS1
Input voltage:	100...240V AC	100...240V AC
Input current:	0,08A	0,08A
Frequency:	50/60Hz	50/60Hz
Output current:	350mA	700mA
Output voltage:	0,5-10V DC	0,5-4V DC
Load:	3 Watts	3 Watts
Power factor:	>0,5	>0,5
Efficiency:	≥70% (@ full load)	≥70% (@ full load)
Ambient temperature:	-20°C...50°C	-20°C...50°C
Surface temperature:	Max. 85°C	Max. 85°C
Dimmable:	No	No
Short Circuit and Thermal Protection		
Protection class:	IP65	
Over temperature protection:	integrated, automatic resettable	
Short circuit protection:	integrated, automatic resettable	
Standards		
Safety Norm:	EN61347-2-13:2006, EN61347-1:2001, EN60598-1:2004+A1:2006	
LVD Norm:	Low voltage Directive 2006/95/EC	
EMC Norm:	EN55015:2006, EN61547:1995+A1:2000 EN61000-3-2:2006, EN61000-3-3:1995+A1:2001+A2:2005	
Approval:	INTERTEK SEMKO	
CE Marking:	Yes	
RoHS compatible:	Yes	



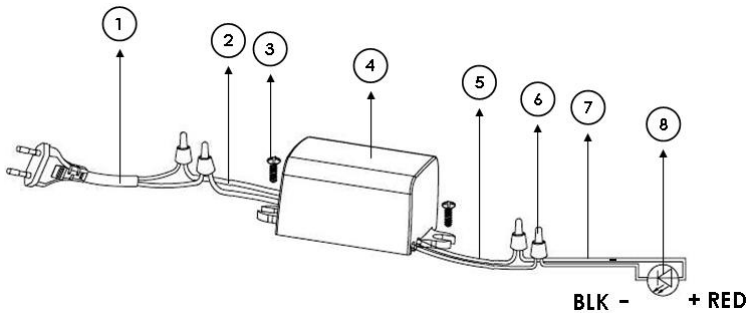
HUNZA™ PURE OUTDOOR LIGHTING

HUNZA FACTORY
130 Felton Mathew Ave
Glen Innes
Auckland 1072
New Zealand

Ph: 64-9-528 9471
Fax: 64-9-528 9361
hunza@hunza.co.nz
www.hunzallighting.com

INTERNATIONAL CONTACTS:
www.hunzallighting.com/contact.php
Specifications may change without notice.
Manufactured in New Zealand.
2016 Hunza Productions Ltd.

Install Schematics



Components	
1*	Extended input cable with plug
2	Input cable (short)
3*	Fastening screw
4	LED driver / device body
5	Output cable (short, max. 2.5m)
6*	Cable connector
7*	Extended output cable
8*	1...3 x1,2W/350mA LED

* not inclusive in the product packing

4. Operational surroundings

- a) Output Red wire “+”, Black wire “-” must be connected with positive and negative pole of loads respectively.
- b) LED could be used singly and three pieces maximum, must be connected in series in same polarity and current is 350mA;
- c) In case it was used as DC stabilizing voltage power source, loading current must be $\leq 300\text{mA}$, Once loading current exceed 1.1 times of rated current, output voltage would fall down to gain constant current.
- d) Ambient temperature $\leq 50^{\circ}\text{C}$.
- e) The minimum length of output lead is 0.1m and maximum length must not exceed 2.5m.