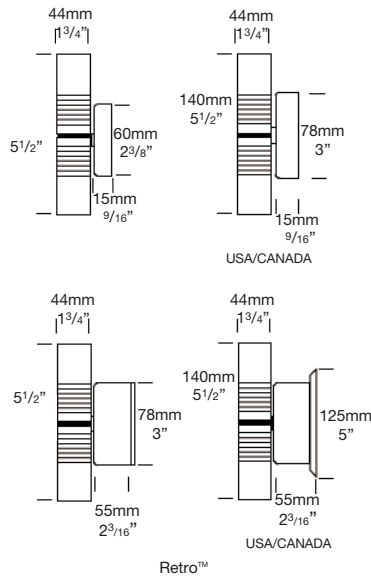


Euro Pillar PURE LED

Cat. No. EPIL/L



PURE LED
Pure Performance



The Euro Pillar Pure LED illuminates both upwards and downwards giving columns, gateways, pillars and entrances a dramatic effect.

This luminaire is machined from a choice of natural copper or solid 316 stainless steel. It features an extra clear, low iron tempered flush lens and high temperature silicon gaskets.

The Hunza PURE LED system uses Cree MTG-2 chips for maximum performance and long life. Power supply options include a choice of integral 12 or 120/240 volt (Retro) drivers. There is also an external remote (series connection) driver option. The PURE LED system incorporates Hunza's innovative Plug-and-Play system for easy replacement of the driver or LED engine. Four beam angles, and a choice of a Warm or Cool White colour temperatures are available.

- * At 350mA this fitting is the equivalent of a 25w halogen fitting.
- * At 700mA this fitting is the equivalent of a 35w halogen fitting.

Ordering Information

Luminaire	Driver mA	Beam Angle	Colour Temp	Accessories	Material/Finish
EPIL/L	S - Series D3 - 12v/350mA D7 - 12v/700mA R - 110 or 240v Retro	15 - 15° TIR Lens 25 - 25° TIR Lens 38 - 38° Reflector	2 - 2700K 3 - 3000K 4 - 4000K 39 - 3000K (90+ CRI)	CJK150 - Cable Joint Kit EURF - Frosted Lens WBAP - Wall Box Adaptor	COP - Copper SS - Stainless Steel

Ordering Example: EPIL/L S 15 3 GG SS

HUNZATM
PURE
OUTDOOR
LIGHTING

HUNZA FACTORY
130 Felton Mathew Ave
Saint Johns
Auckland 1072
New Zealand

Ph: 64-9-528 9471
Fax: 64-9-528 9361
hunza@hunza.co.nz
www.hunza.co.nz

INTERNATIONAL CONTACTS:
www.hunza.co.nz/contacts.php

Specifications may change without notice.
Manufactured in New Zealand.
© 2014 Hunza Holdings Ltd.

Luminaire Construction

CNC machined from one of the following metals:

Copper

Body: 45.4mm (1¾") copper rod.
Base: Copper handspun 2mm (1/8").

Stainless

Body: 45.4mm (1¾") 316 stainless steel rod
Base: Investment cast and CNC machined.

Luminaire Weight

12 volt Cop .660kg (1lb 7oz)
SS .710kg (1lb 9oz)

Retro™ Cop 1.175kg (2lb 9oz)
SS 1.245kg (2lb 11oz)

Features

Lens:

6mm (3/8") extra clear low iron flush fit shatter resistant glass.
Lifetime Warranty.

Gasket:

Silicone, iron impregnated 220°c (428°f)

Accessories:

Cable Joint Kit (Cat. CJK150)
Frosted Lens (Cat.EURF)
Wall Box Adaptor (Cat. WBAP)

Mounting

The luminaire is mounted to the wall using two 316 stainless screws through a shallow base 16mm (5/8") in depth. A Wall Box Adaptor Plate is available as an accessory to fit 3.0 and 4.0 Junction boxes for USA /Canada.

Retro™ luminaire (110/240volt): A mounting plate is fixed to the wall using two screws and the

Technical Information

Standards

AS/NZS 61046
IP56/IP66 UL 1838

LED (per head)

Cree MTG-2 Plug and Play, field replaceable PCB boards
Lumen Output: 340 at 700mA
Lumens Per Watt: 85 minimum
CRI Warm White (3000K): 85+
Colour Temp: 3000K and 4000K

Power Supply

External (Series) Driver (per head)

Constant current driver
Output: 6vdc at 700mA maximum

Integral 12 Volt Driver

Hunza™ Plug and Play Driver
Input: 12vac, 5watt total
Output: 6vdc nominal, 350 / 700mA

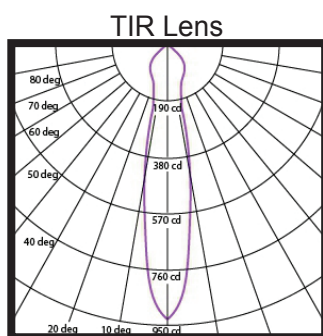
Transformer

Hunza™ Wall Mount Transformer
for use with integral 12v driver

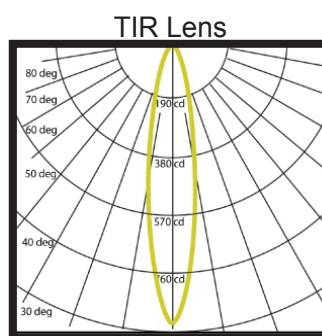
Retro 110/240 Volt Driver

Hunza™ Retro Driver
Input: 120/240vac, 5watt total
Output: 6vdc, 700mA
0-10 volt dimming
(USA - non dimming)

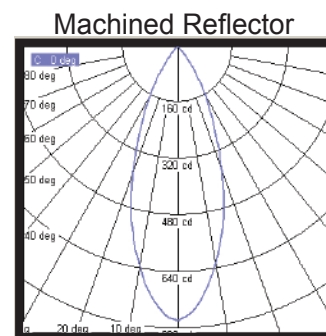
Reflector Beam Angles



15° Angle
3000 K



25° Angle
3000 K



38° Angle
3000 K