

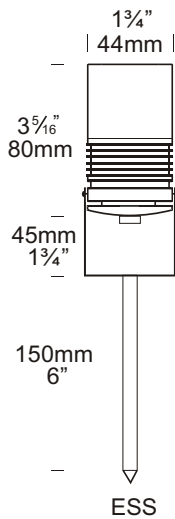
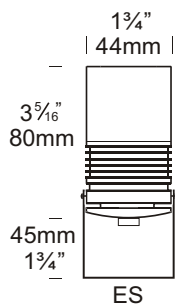
Euro Spot

Cat. No. ES

Cat. No. ESS



The Euro Spot is an extra compact luminaire designed for situations where the fixture needs to be very unobtrusive or concealed. The fixture is inserted into the ground and can be easily aimed by angling the luminaire in the desired direction. This luminaire uses a MR11 lamp to achieve the compact dimensions and also has a built in glare guard. The fixture can be mounted in a variety of outdoor situations and can also be supplied with an integral spike for easy in-ground mounting.



Ordering Information

Luminaire Type

Material

Accessories

ES - Euro Spot

COP - Copper

SS - 316 Stainless Steel

CJK150 - Cable Joint Kit

LENSEURF - Frosted Lens

S - 150mm (6") Spike

/300 - Ground Spike 300mm (12")

Ordering Example: ES COP - Euro Spot in Copper

ESS SS - Euro Spot in 316 Stainless Steel 150mm (6") Spike

LENSEURF - Frost Lens

(Accessories ordered separately)

HUNZA™ PURE OUTDOOR LIGHTING

HUNZA FACTORY
130 Felton Mathew Ave
Glen Innes
Auckland 1072
New Zealand

Ph: 64-9-528 9471
Fax: 64-9-528 9361
hunza@hunza.co.nz
www.hunzalighting.com

INTERNATIONAL CONTACTS:
<http://www.hunzalighting.com/contact.php>

Specifications may change without notice.
Manufactured in New Zealand.
© 2016 Hunza Holdings Ltd. Ver 1.4

Luminaire Construction

CNC machined from one of the following metals:

Body:

Copper 45.4mm (1¾") rod.

"U" Bracket:

12mm x 3mm (½" x 1/8") Copper.

Spike:

11mm x 150mm (3/8" x 6") Copper.

Body:

316 Stainless Steel 45.4mm (1¾") rod.

"U" Bracket:

12mm x 3mm (½" x 1/8") 316 Stainless Steel.

Spike:

11mm x 150mm (3/8" x 6") 316 Stainless Steel.

Mounting

ES:

Via a "U" bracket that is screwed to the mounting surface.

ESS:

Ground spike 150mm (6") or 300mm (12") mounted directly into the ground.

Features

Lens:

6mm (¼") clear tempered shatter resistant glass with Hex Cell Louvre for glare control.

Lifetime Warranty.

Gaskets:

Silicone, iron impregnated 220°C (428°F).

Lamp Holders:

GU4 - 350°C (662°F) ceramic multi contact lamp holder with 250°C (480°F) teflon cables.

Accessories:

Cable Joint Kit (Cat. CJK150).
Not approved for USA/Canada.
Frosted Lens (Cat. LENSEURF).
Ground Spike 150mm (6") (Cat. S).
Ground Spike 300mm (12") (Cat. /300).

Swivels:

Copper luminaires - 360° rotation and 0 - 90° elevation, solid brass with anti rust spring.

Stainless Steel luminaires - 360° rotation and 0 - 90° elevation, full stainless steel construction.

Standards

IP66



UL1838

Luminaire Weight

Cop 0.550kg (1lb 3oz)
SS 0.500kg (1lb 2oz)

Power Supply

HUNZA™ Inground or Wall Mount
Transformer: not included.

USA and Canada:

HUNZA™ Wall Mount Transformer:
not included.

Lamp Type

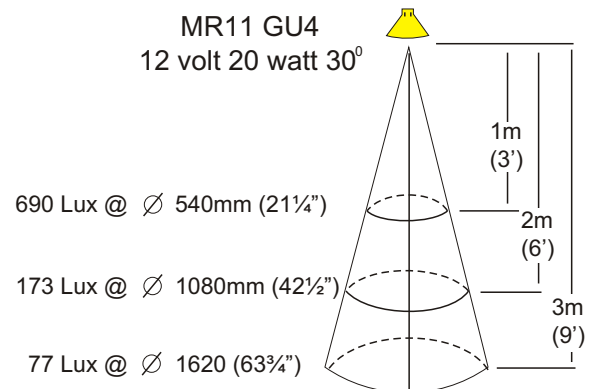
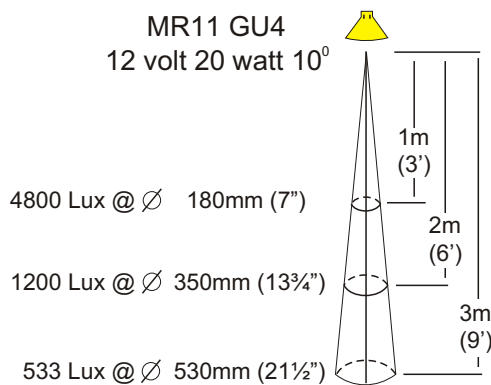
MR11 GU4 - 1 x 20 watt lamps max.

LED - Refer to previous page.

USA and Canada:

MR11 GU4 - 1 x 10 watt lamps max.

LED - Refer to previous page.



HUNZA™ PURE
OUTDOOR
LIGHTING

HUNZA FACTORY
130 Felton Mathew Ave
Glen Innes
Auckland 1072
New Zealand

Ph: 64-9-528 9471
Fax: 64-9-528 9361
hunza@hunza.co.nz
www.hunzalighting.com

INTERNATIONAL CONTACTS:
[http://www.hunzalighting.com/
contact.php](http://www.hunzalighting.com/contact.php)

Specifications may change without notice.
Manufactured in New Zealand.
© 2016 Hunza Holdings Ltd.

Ver 1.4