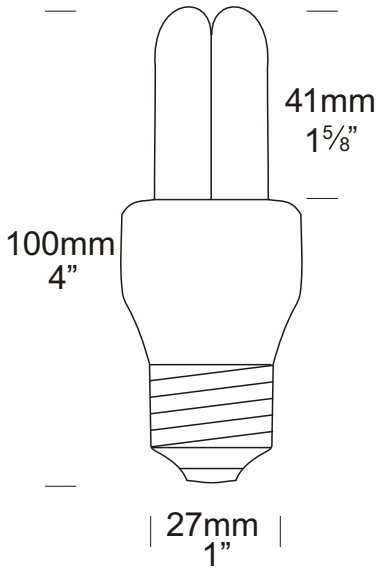


Fluorescent Option

Cat. No. FL



A 110/240 volt fluorescent option is available which offers excellent light output, low energy usage and very low heat generation, this changes the luminaire to an IP66 rating.



Ordering Information

Lamp Type

FL - Fluorescent Option



Ordering Example: TLFL COP - Tier Lite in Copper with Fluorescent Option.

HUNZA™ PURE
OUTDOOR
LIGHTING

HUNZA FACTORY
130 Felton Mathew Ave
Glen Innes
Auckland 1072
New Zealand

Ph: 64-9-528 9471
Fax: 64-9-528 9361
hunza@hunza.co.nz
www.hunza.co.nz

INTERNATIONAL CONTACTS:
www.hunza.co.nz/contacts.php

Specifications may change without notice.
Manufactured in New Zealand.
© 2011 Hunza Holdings Ltd.

Ver 1.4

Luminaire Construction

Increases luminaire body length by 61.5mm (2½").

Mounting

An E27 PET 210°C (410°F) base mount lamp holder is fixed to the luminaire end cap.

Features

Lamp Holder Required:

E27 PET 210°C (410°F) base mount.
E26 available in the USA.

Wattage:

8 watt

Suitable for use with:

Bollard 300 & 700, Floor & Floor Lite Square, Floor Lite Dark Lighter, Floor Lite Dark Lighter Square, Pagoda Lite, Path Lite, Step Lite, Step Lite Square, Step Lite Eyelid, Step Lite Louvre, Step Lite Louvre Square, Step Lite Square on Square, Step Lite Solid Eyelid Square, Step Lite Solid Eyelid, Tier Lite, Tier Lite Wall Mount.

Standards

IP66  CE

Power Supply

110 volt ac 60Hz.
240 volt ac 50Hz.