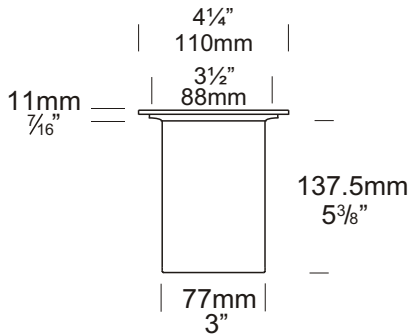
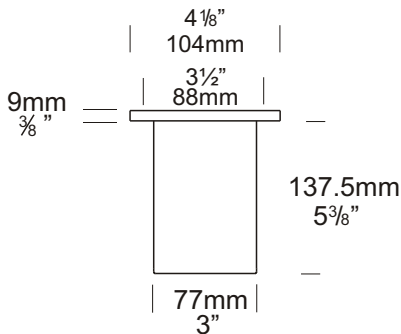


Flush Floor Lite

Cat. No. FFLSP
 Cat. No. FFLSPSQ
 Cat. No. FFLSPGU
 Cat. No. FFLSPSQGU



Flush Floor Lite Square



Flush Floor Lite

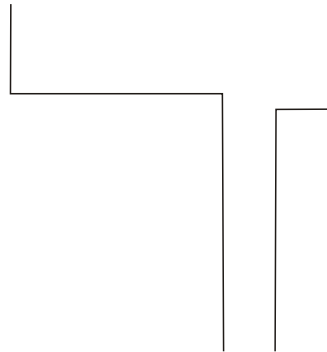


The Flush Floor Lite has been designed to mount flush with the level of a pathway, hotel floor or a building foyer. The 'Flush Fit' lens stops water pooling and depositing dirt on the lens. There is no lip to trip over and the luminaire can be driven over or walked upon without being damaged. The canister is included for easy installation.

The square shape of The Flush Floor Lite Square makes it ideal for mounting in tiled areas.

Ordering Information

Luminaire Type	Material	Accessories
FFLSP - Flush Floor Lite	SS - 316 Stainless Steel	CJK150 - Cable Joint Kit
FFLSPSQ - Flush Floor Lite Square	COP - Copper (round only)	HCL - Hex Cell Adaptor
		LENSSPREAD - Linear Spread Lens
		LENSSTEPF - Frost Lens



Ordering Example: FFLSP SS - Flush Floor Lite in 316 Stainless Steel

HUNZA™ PURE OUTDOOR LIGHTING

HUNZA FACTORY
 130 Felton Mathew Ave
 Glen Innes
 Auckland 1072
 New Zealand

Ph: 64-9-528 9471
 Fax: 64-9-528 9361
 hunza@hunza.co.nz
 www.hunza.co.nz

INTERNATIONAL CONTACTS:
www.hunza.co.nz/contacts.php

Specifications may change without notice.
 Manufactured in New Zealand.
 © 2011 Hunza Holdings Ltd.

Luminaire Construction

CNC machined from:

Body:

316 Stainless Steel or Copper
63.5mm (2½") x 9mm (11/32").
End Cap - 316 Stainless Steel or
Copper 63.5mm (2½") rod.

Canister:

Stainless Steel: 316 Stainless Steel
Canister 148.5mm (5½") x 1mm (3/64").

Copper (round only): Copper ring
and 316 Stainless Steel Canister
body 148.5mm (5½") x 1mm (3/64").

Flange:

316 Stainless Steel or Copper
104mm (4 1/8").

Flange Square:

316 Stainless Steel or Copper
110mm (4 3/4") x 110mm (4 3/4").

Mounting

The luminaire is pushed into the
canister and is held by one silicone
"O" ring: Cast into concrete, brick,
concrete block etc.

Maximum drive over speed 10 km/h
(6 mph) and maximum vehicle
weight 1500kg (3300lbs).

Features

Lens:

10mm (3/8") thick 'Flush Fit' clear
tempered shatter resistant glass.

Lifetime Warranty.

Gasket:

Silicone, iron impregnated 220°C
(428°F).

Lamp Holders:

GU5.3 & GU10 - 350°C (662°F)
ceramic multi contact lamp holder
with 250°C (480°F) teflon cables.

Accessories:

Cable Joint Kit (Cat. CJK150).
Frosted Lens (Cat. LENSSTEPF).
Hex Cell Louvre Adaptor (Cat. HCL)
(Note: Supplied as standard for
USA/Canada).
GU10 Option (Cat. GU).

Standards

EN60598

IP66



UL1838

Luminaire Weight

SS 1.50kg (3lb 5oz)
COP 1.70kg (3lb 12oz)

Power Supply

HUNZA™ Inground or Wall Mount
Transformer: not included.

USA and Canada:

HUNZA™ Wall Mount Transformer:
not included.

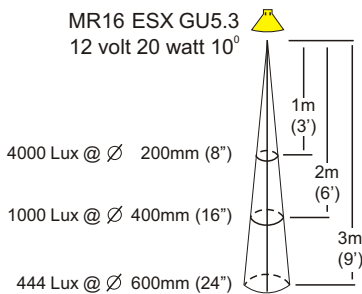
Luminaire: supplied with

MR16 GU5.3 - 20 watt lamp max.
GU10 - GU10 25 or 35 watt lamp max.

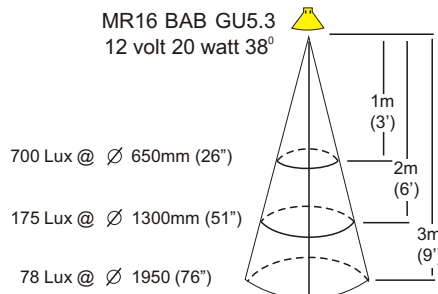
USA and Canada:

MR16 GU5.3 20 watt lamp max.
GU10 Halogen - Lamp not supplied

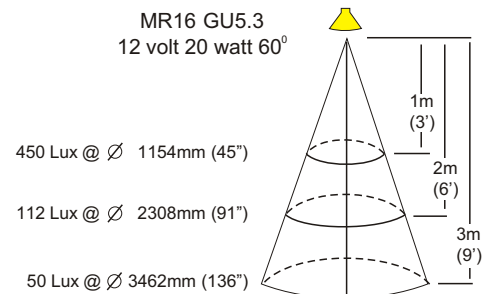
MR16 ESX GU5.3
12 volt 20 watt 10°



MR16 BAB GU5.3
12 volt 20 watt 38°



MR16 GU5.3
12 volt 20 watt 60°



HUNZA™ PURE
OUTDOOR
LIGHTING

HUNZA FACTORY
130 Felton Mathew Ave
Glen Innes
Auckland 1072
New Zealand

Ph: 64-9-528 9471
Fax: 64-9-528 9361
hunza@hunza.co.nz
www.hunza.co.nz

INTERNATIONAL CONTACTS:
www.hunza.co.nz/contacts.php

Specifications may change without notice.
Manufactured in New Zealand.
© 2011 Hunza Holdings Ltd.

Ver 1.4