

# Gobo Lens Adaptor

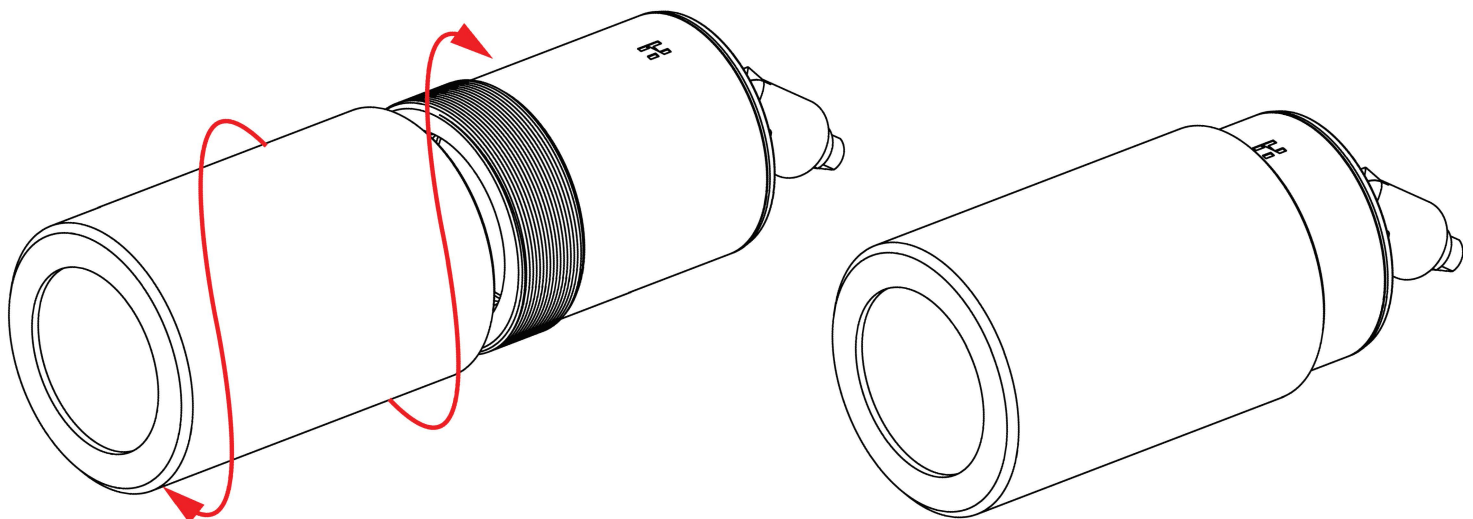
Cat. No. GOBO



PURE LED  
Pure Performance



The Gobo Lens Adaptor can be fitted to all of Hunza's standard 62.5-63.5mm (2 1/2") body fixtures, including the High Power Series, converting them into mini projectors. The Gobo assembly consists of a convex lens, threaded barrel, and 51mm Gobo holder, which projects an image or light pattern onto the wall, floor or ceiling. The barrel is screwed in and out to focus the image.



**HUNZA**™ PURE  
OUTDOOR  
LIGHTING

HUNZA FACTORY  
130 Felton Mathew Ave  
Saint Johns  
Auckland 1072  
New Zealand

Ph: 64-9-528 9471  
Fax: 64-9-528 9361  
hunza@hunza.co.nz  
www.hunza.co.nz

INTERNATIONAL CONTACTS:  
[www.hunza.co.nz/contacts.php](http://www.hunza.co.nz/contacts.php)

Specifications may change without notice.  
Manufactured in New Zealand.  
© 2015 Hunza Holdings Ltd.