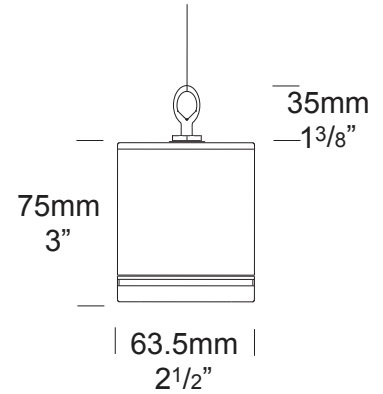


Hanging Lite

PROJECT:
TYPE:
SOURCE:
NOTES:

PURELED SPECIFICATIONS

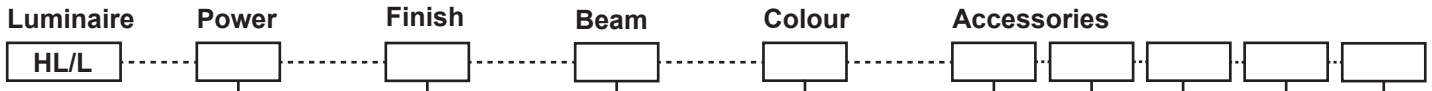
LED Chip	Cree XHP-50-2 Plug and Play field replaceable LED board
Luminaire Output	600 Lumens @ 1050mA (6 watts), 420 Lumens @ 700mA (4 watts), 240 Lumens @ 350mA (2 watts), delivered from luminaire with unobstructed beam.
Lumens Per Watt	100 Lumens @ 6 watts minimum, delivered from luminaire with unobstructed beam
CRI (3000K)	85+ Standard, 90+ Optional
Colour Temperatures	2700K, 3000K, 4000K
Beam Angles	15, 25, 38, 60
Ingress Protection	IP66
Warranty	Electronics = 5 years Body Cop/ SS = 10 years Body Aluminium = 5 years
Standards	AS/NZS 61046 cUL 1838, 2108 CSA C22.2 No. 250.7, No. 250.0-08 CE



PRODUCT CONFIGURATION

Please fill in appropriate codes into boxes provided

Cat. No. HL/L



- S** SERIES, REMOTE DRIVER
- D3** 12VAC, 2W INTEGRAL
- D7** 12VAC, 4W INTEGRAL
- D10** 12VAC, 6W INTEGRAL

SERIES, REMOTE DRIVER REQUIRED:
Constant current driver
Individual fixtures require 6vdc @ 1050mA maximum

12VAC INTEGRAL DRIVER:
Hunza integrated plug and play driver (included)
Input: 9-15VAC.
Output: 6vdc @ D3=350mA, D7=700mA, D10=1050mA (1050mA limited to ≤ 40°C (104°F) ambient temperature in stainless steel)

- Material/Finish**
- ALUMINIUM**
- EBK** BLACK
 - EBZ** BRONZE
 - EOGR** OLIVE GREEN
 - EWH** WHITE
 - EWB** WHITE BIRCH
 - EDG** DARK GREY
 - ESTAR** SILVER STAR
 - ECT** CORTEN
- COP** SOLID COPPER
SS STAINLESS STEEL

- Beam**
- 15** 15°
 - 25** 25°
 - 38** 38°
 - 60** 60°

- Colour**
- 2** 2700K
 - 3** 3000K
 - 4** 4000K
 - 39** 3000K, 90+ CRI

- Accessories**
- HCL** HEX CELL LOUVRE
 - GG** GLARE GUARD
 - SNT** SNOOT
 - LF** FROSTED LENS
 - CJK** CABLE JOINT KIT

OTHER LAMP OPTIONS:

HL/H - MR16 Halogen 12V Lamp
 HL/SL - MR16 LED Retrofit 12V Lamp (lamps vary by market - please refer to supplier for details)
 HL/GUH - GU10 120/240V Halogen Lamp (body length increases for all GU10 lamps)
 HL/GUSL - GU10 LED Retrofit 120/240V Lamp (lamps vary by market - please refer to supplier for details)

[Click here for halogen specification sheet](#)

Please click for Remote Power Supply Guidance Charts:

- [USA \(page 1\)](#)
- [Rest of the World \(page 1\)](#)

LUMINAIRE CONSTRUCTION

CNC machined from one of the following metals:

Aluminium:

Body: high corrosion resistant 63.5mm (2^{1/2"}) x 10mm (3/8") aluminium.

End cap: solid aluminium 63.5mm (2^{1/2"}) rod, with chromate substrate and high UV resistant polyester powder coat.

Colours:

Black, Bronze, Silver Star, White, White Birch, Olive Green, Dark Grey, Corten.

Copper:

Body: 63.5mm (2^{1/2"}) x 10mm (3/8").

End cap: solid copper 63.5mm (2^{1/2"}) rod.

316 Stainless Steel:

Body: 63.5mm (2^{1/2"}) x 10mm (13/32").

End cap: solid 316 stainless steel 63.5 (2^{1/2"}) rod.

Step Lens:

10mm (3/8") Extra clear, low iron, shatter resistant glass.

Lifetime warranty

Gaskets:

Silicone, iron impregnated 220°C (428°F)

Mounting:

Hung via the provided stainless steel cable.

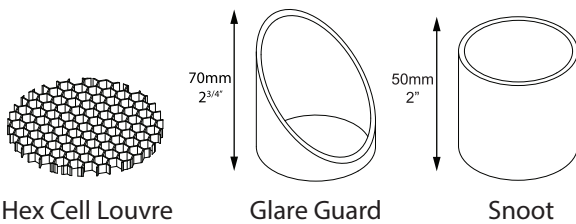
Luminaire Weight:

Alum: 0.700kg (1lb 9oz)

Cop: 1.470kg (2lb 12oz)

SS: 1.160kg (2lb 1oz)

ACCESSORIES



Hex Cell Louvre

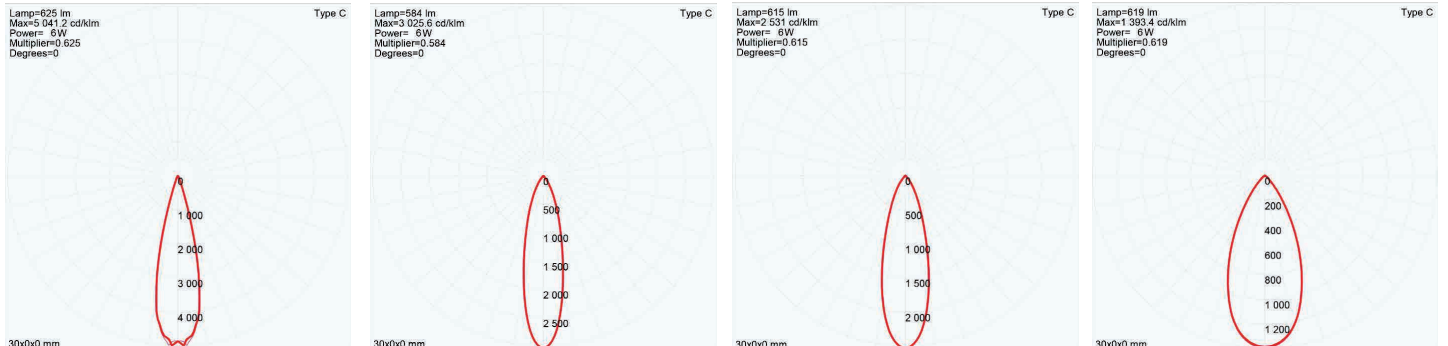
Glare Guard

Snoot

BEAM ANGLES

High efficiency PMMA TIR lenses. Field replaceable

IES files available for download: <http://www.hunzalighting.com/download.php>



15° FWHM TIR

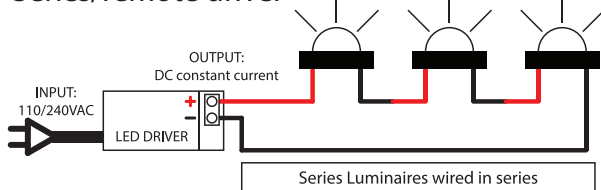
25° FWHM TIR

38° FWHM TIR

60° FWHM TIR

WIRING GUIDE

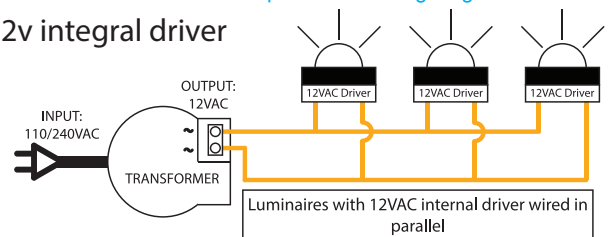
Series/remote driver



Diagrams are a guide only, wire colours and polarity may change depending on fixture and country

available for download: <http://www.hunzalighting.com/download.php>

12v integral driver



Specifications may change without notification

Aug 2017