

Inground 1-11

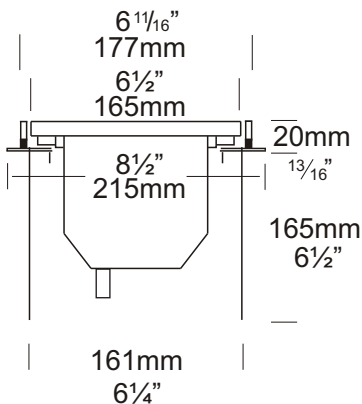
12 volt

Cat. No. IG1-11(12)



The Inground 1-11 12 volt is suitable for use with 50 or 75 watt halogen and 60 watt IRC lamps, which have a range of beam angles from 8 to 45 degrees. The AR1-11 lamp has very low glare output due to the dome covering the halogen capsule. The luminaire can be driven over at 10km/h max (6mph) with a maximum vehicle weight of 1500kg (3000lbs) or walked upon without being damaged. The fixture also has a 'Flush Fit' lens which stops water pooling and depositing dirt on the lens.

The Inground 1-11 12 volt is supplied with a mounting canister. The lamp can be directed (up to 20 degrees) without the need to remove the fitting from the canister due to the vandal-resistant four allen head screw fixing system which attaches the flange to the body of the luminaire.



Ordering Information

Luminaire Type	Flange Option	Body	Accessories
IG1-11(12) - Inground 1-11 12 volt	SBZ - Bronze SS - 316 Stainless Steel	Black only	CJK150 - Cable Joint Kit LENSAR111F - Frosted Lens LENSSPREAD - Spread Lens

For **LED** options, refer to page 10.4.3 (6 watt) or 10.4.4 (3 watt) or <http://hunza.co.nz/l.html>



Ordering Example: IG1-11(12) SBZ - Inground 1-11 12 volt with Solid Bronze Flange

LENSAR111F - Frosted Lens
(Accessories ordered separately)

HUNZA™ PURE OUTDOOR LIGHTING

HUNZA FACTORY
130 Felton Mathew Ave
Glen Innes
Auckland 1072
New Zealand

Ph: 64-9-528 9471
Fax: 64-9-528 9361
hunza@hunza.co.nz
www.hunza.co.nz

INTERNATIONAL CONTACTS:
www.hunza.co.nz/contacts.php

Specifications may change without notice.
Manufactured in New Zealand.
© 2011 Hunza Holdings Ltd.

Ver 1.4

Luminaire Construction

Body

Cast from virgin high corrosion resistant CC401 low copper aluminium alloy, with chromate substrate and high UV resistant Black polyester powder coat.

Flanges

The flange is attached to the body by four 316 stainless steel allen head anti vandal screws and is available in either

Solid bronze - 170mm (6½") bar.

Solid 316 Stainless Steel - 170mm (6½") bar rod.

Mounting

The Inground 1-11 supplied with a mounting canister for casting in concrete. The fitting can be driven over or walked upon without damaging it. Maximum drive over speed 10 km/h (6 mph) and maximum vehicle weight 1500kg (3300lbs).

Features

Lens:

12mm (½") thick 'Flush Fit' clear tempered shatter resistant glass.

Lifetime Warranty.

Beam Angles:

8°, 24° and 45°

Gasket:

Silicone, iron impregnated 220°C (428°F).

Lamp Holder:

GU53: Lamp cradle can be rotated 360° and angled up to 20°.

Accessories:

Cable Joint Kit (Cat. CJK150).

Frosted Lens (Cat. LENSAR111F).

Linear Spread Lens (Cat. LENSSPREAD).

Standards

IP66



UL1598

Luminaire Weight

3.3kgs (7lbs 3oz)

Power Supply

HUNZA™ Inground Transformer:
not included

USA and Canada:

HUNZA™ Inground Transformer:
not included

Luminaire: supplied with

GU53 - 50 halogen or 60 watt IRC
lamp max.

LED - Refer to previous page.