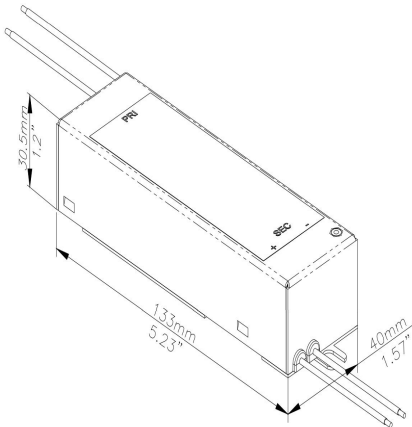


# LIGHTECH

## LED-18DC-700

### Constant Current Driver

Cat. No. LED-18DC-700



## GE/Lightech LED-18DC-700 CONSTANT CURRENT DRIVER POWER SUPPLY

The GE/Lightech LED-18DC-700 is an 18 Watt electronic, constant current, remote driver available to power Hunza series version PURE LED fixtures in the USA market. It is ELV dimmable (trailing edge).

For exterior use, it is highly recommended to install this in a weatherproof box, available as an option from Hunza. The PC-17-02 weatherproof box is a requirement for UL compliance.

When this driver is used as a remote power supply, SERIES WIRING is required to connect the fixtures. Please refer to the Hunza PURE LED Series Wiring page for more information on wiring diagrams and fixture loads per driver.

### Key Specifications:

Input Voltage: 120-277Vac 50-60Hz

Output Voltage: 4V-26V DC

Output Current: 700mA

Wattage: 18W

Temperature range: -25...+50°C, max 90°C

Driver Weight: 0.28kg (10.4oz)

Dimensions: 133x40x30.5mm (5.23"x1.57"x1.2")

Standards: IP67, CSA, UL Recognized

Ordering Code: LED-18DC-700

**HUNZA**™ PURE  
OUTDOOR  
LIGHTING

**HUNZA FACTORY**  
130 Felton Mathew Ave  
Glen Innes  
Auckland 1072  
New Zealand

Ph: 64-9-528 9471  
Fax: 64-9-528 9361  
hunza@hunza.co.nz  
[www.hunzalighting.com](http://www.hunzalighting.com)

**INTERNATIONAL CONTACTS:**  
[www.hunzalighting.com/contact.php](http://www.hunzalighting.com/contact.php)  
Specifications may change without notice.  
Manufactured in New Zealand.  
**2016 Hunza Productions Ltd.**