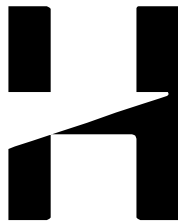
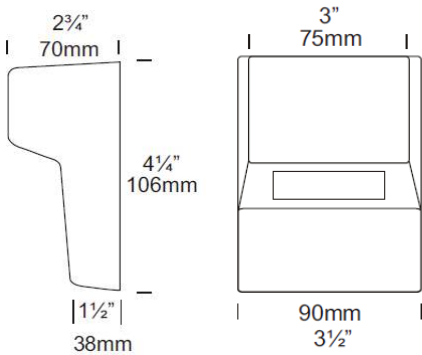


Mouse Lite

Cat. No. MOUSESQ

Cat. No. MOUSESQG9



The Mouse Lite is a solid bronze or solid 316 stainless steel luminaire designed for vertical surface mounting in gardens and landscapes. The shape is pleasing to the eye and blends unobtrusively into any environment. A space in the wall behind the luminaire is not required for cable connection due to the design which includes a cable junction cavity. There is no light directed upward or forward into the eye.

A G9 version of this luminaire is also available for line voltage lamps.



Ordering Information

Luminaire Type	Material	Accessories
MOUSESQ - Mouse Lite Square	SBZ - Solid Bronze SS - 316 Stainless Steel	CJK150 - Cable Joint Kit G9 - G9 option
		For LED options, refer to page 10.4 (dedicated LED), or on the Hunza website.
Ordering Example: MOUSESQ SS - Mouse Lite Square in 316 Stainless Steel MOUSESQG9 SBZ - Mouse Lite Square G9 in Solid Bronze CJK150 - Cable Joint Kit (Accessories ordered separately)		

HUNZA™ PURE OUTDOOR LIGHTING

HUNZA FACTORY
130 Felton Mathew Ave
Glen Innes
Auckland 1072
New Zealand

Ph: 64-9-528 9471
Fax: 64-9-528 9361
hunza@hunza.co.nz
www.hunza.co.nz

INTERNATIONAL CONTACTS:
www.hunza.co.nz/contacts.php

Specifications may change without notice.
Manufactured in New Zealand.
© 2011 Hunza Holdings Ltd.

Ver 1.4

Luminaire Construction

CNC finished machined from one of the following metals:

Investment cast in bronze with forged brass mounting plate.

Investment cast in 316 stainless steel with investment cast 316 stainless steel mounting plate.

Mounting

Mount using a mounting plate fixed to the wall, etc. with 316 stainless screws. The luminaire is then fitted to the back plate using two pan head screws.

Features

Lens:

2mm (3/32") frosted tempered shatter resistant glass.

Lifetime Warranty.

Gasket:

Nytrol 150°c (302°f).

Lamp Holder:

G4 - 350°c (662°f) ceramic multi contact lamp holder with 180°c (356°f) silicone cables.

G9 - 280°c (536°f) ceramic lamp holder with 250°c (480°f) teflon cables.

Accessories:

Cable Joint Kit (Cat. CJK150).
Not approved for USA /Canada.

G9 Option (Cat. G9).

Standards

IP66  UL1838

Luminaire Weight

BZ .820kg (1lb 12oz)
SS .750kg (1lb 10oz)

Power Supply

HUNZA™ Inground or Wall Mount
Transformer: not included.

USA and Canada:

HUNZA™ Wall Mount Transformer: not included.

Luminaire: supplied with

G4 5, 10, 20 watt lamp max
G9 - 25 watt lamp max.

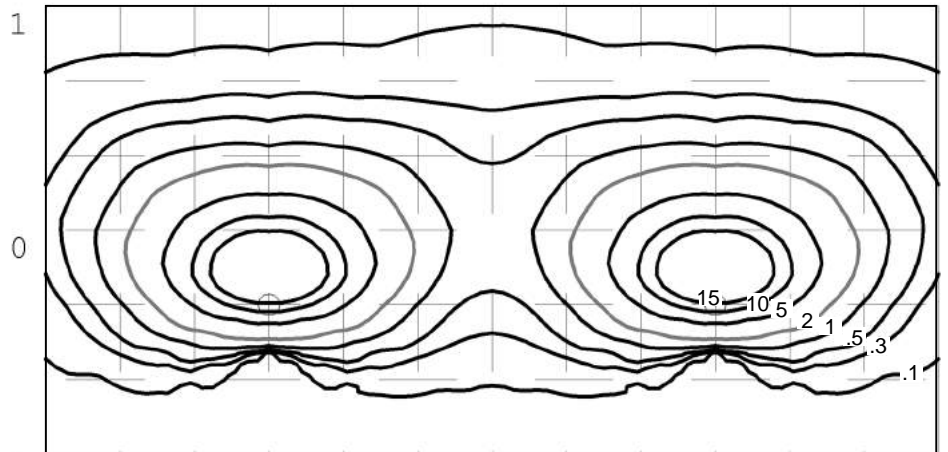
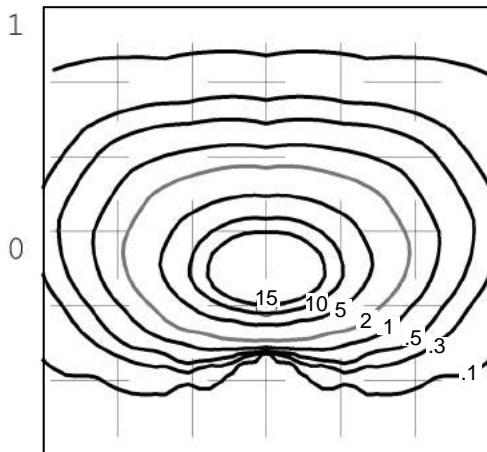
LED - Refer sheet no. 10.4

USA and Canada:

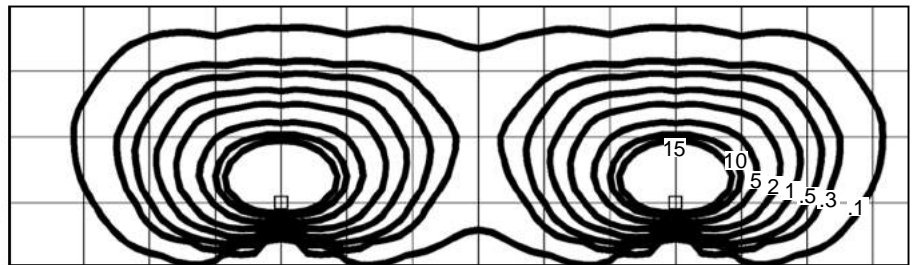
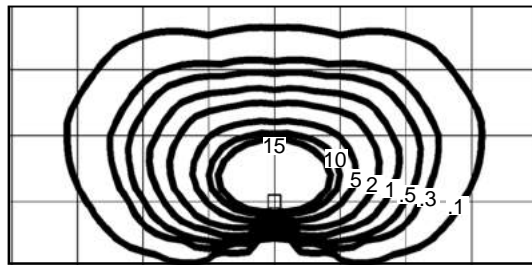
G4 5, 10 watt lamp max.
G9 - 25 watt lamp max.

LED - Refer sheet no. 10.4

Mouse Lite 10 watt G4 Bi-Pin lamp - Lens height 400mm (15¾")



Mouse Lite 20 watt G4 Bi-Pin lamp - Lens height 400mm (15¾")



Isolux Lumens Plot - Footcandles = Isolux figures divided by 10.76

HUNZA™ PURE OUTDOOR LIGHTING

HUNZA FACTORY
130 Felton Mathew Ave
Glen Innes
Auckland 1072
New Zealand

Ph: 64-9-528 9471
Fax: 64-9-528 9361
hunza@hunza.co.nz
www.hunza.co.nz

INTERNATIONAL CONTACTS:
www.hunza.co.nz/contacts.php

Specifications may change without notice.
Manufactured in New Zealand.
© 2011 Hunza Holdings Ltd.

Ver 1.4