

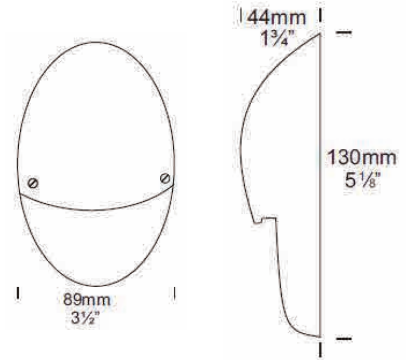
## Mouse Lite PURE LED

PROJECT:
TYPE:
SOURCE:
NOTES:

### SPECIFICATIONS



<b>LED Chip</b>	Cree XPG-3 Plug and Play field replaceable LED board
<b>Luminaire Output</b>	120 Lumens @ 700mA (2 watts), delivered from luminaire with unobstructed beam.
<b>Lumens Per Watt</b>	60 Lumens minimum @ 2 watts, delivered from luminaire with unobstructed beam
<b>CRI (3000K)</b>	85+ Standard, 90+ Optional
<b>Colour Temperatures</b>	2700K, 3000K, 4000K
<b>Beam Angles</b>	120 degrees
<b>Ingress Protection</b>	IP66

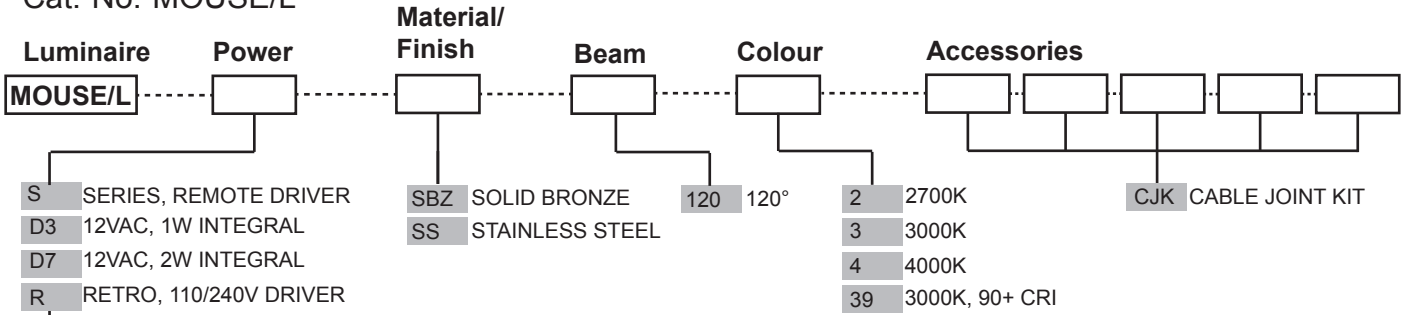


<b>Warranty</b>	Electronics = 5 years Body SS/SBZ = 10 years
<b>Standards</b>	AS/NZS 61046, EN60598 cUL 1838, 2108 CSA C22.2 No.250.7, No.250.0-08 CE

### PRODUCT CONFIGURATION

Please fill in appropriate codes into boxes provided

Cat. No. MOUSE/L



**SERIES, REMOTE DRIVER REQUIRED:**  
Constant current driver  
Individual fixtures require 3vdc @ 700mA maximum

**12VAC INTEGRAL DRIVER:**  
Buck Bullet Driver (included)  
Input: 12VAC, 3watt @ total  
Output: 3vdc nominal @  
D3=350mA, D7=700mA

**110/240VAC RETRO DRIVER:**  
Input: 120/240vac, 3 watt total (driver included)  
Output: 3vdc, 700mA

ADDITIONAL COMMENTS:

[Please click for Hunza Power Supply selection Chart](#)  
[Please click for Hunza Voltage drop Chart](#)

# LUMINAIRE CONSTRUCTION

**CNC machined from one of the following metals:**  
**Solid Bronze:** investment cast in solid bronze with forge mounting plate.

**316 Stainless Steel:** investment cast in 316 stainless steel with investment cast 316 stainless steel mounting plate.

**Lens:** 2mm (1/16") frosted tempered shatter resistant glass.  
Lifetime Warranty.

**Mounting:** mount using a mounting plate fixed to the wall, etc with 316 stainless screws. The luminaire is then fitted to the back plate using two pan head screws.

**Luminaire Weight:**  
SBZ: 0.820kg (1lb 13oz)  
SS: 0.750kg (1lb 10oz)

---

## ACCESSORIES

---

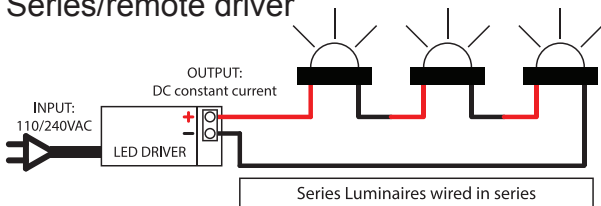
## BEAM ANGLES

IES files available for download: <http://www.hunzalighting.com/download.php>

---

## WIRING GUIDE

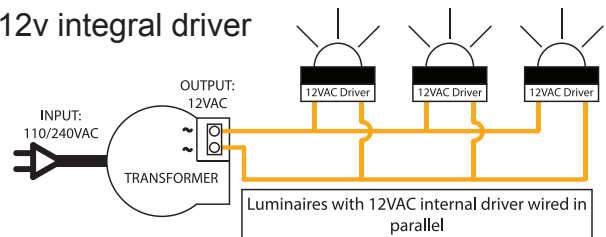
### Series/remote driver



Diagrams are a guide only, wire colours and polarity may change depending on fixture and country

available for download: <http://www.hunzalighting.com/download.php>

### 12v integral driver



Specifications may change without notification

Aug 2017

**HUNZA**™ PURE OUTDOOR LIGHTING

**HUNZA FACTORY** 130 Felton Mathew Ave  
Saint Johns  
Auckland 1072  
New Zealand

Ph: +64-9-528 9471  
Fax: +64-9-528 9361  
hunza@hunza.co.nz  
www.hunzalighting.com

**INTERNATIONAL CONTACTS:**  
<http://www.hunzalighting.com/contact.php>

This document contains proprietary information of Hunza. Its receipt or possession does not convey any rights to reproduce or disclose its content.