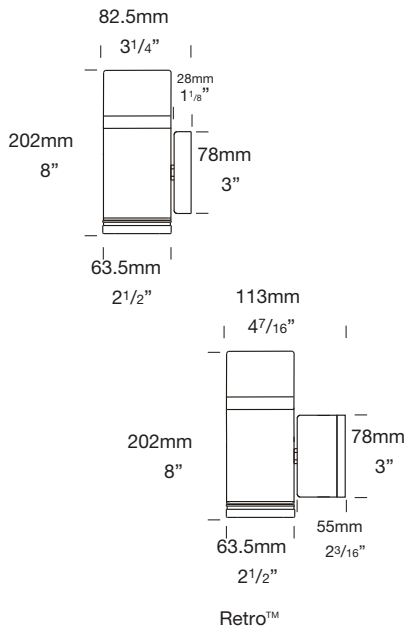


Pillar Pagoda PURE LED

Cat. No. PIL/PGL/L



Retro™



PURE LED
Pure Performance

The Pillar Pagoda Lite PURE LED can be used to produce a general lighting effect, as well as use for general uplighting or downlighting.

This luminaire is machined from a choice of 10mm solid aluminium with a UV stable power coated finish, solid copper or 316 stainless steel.

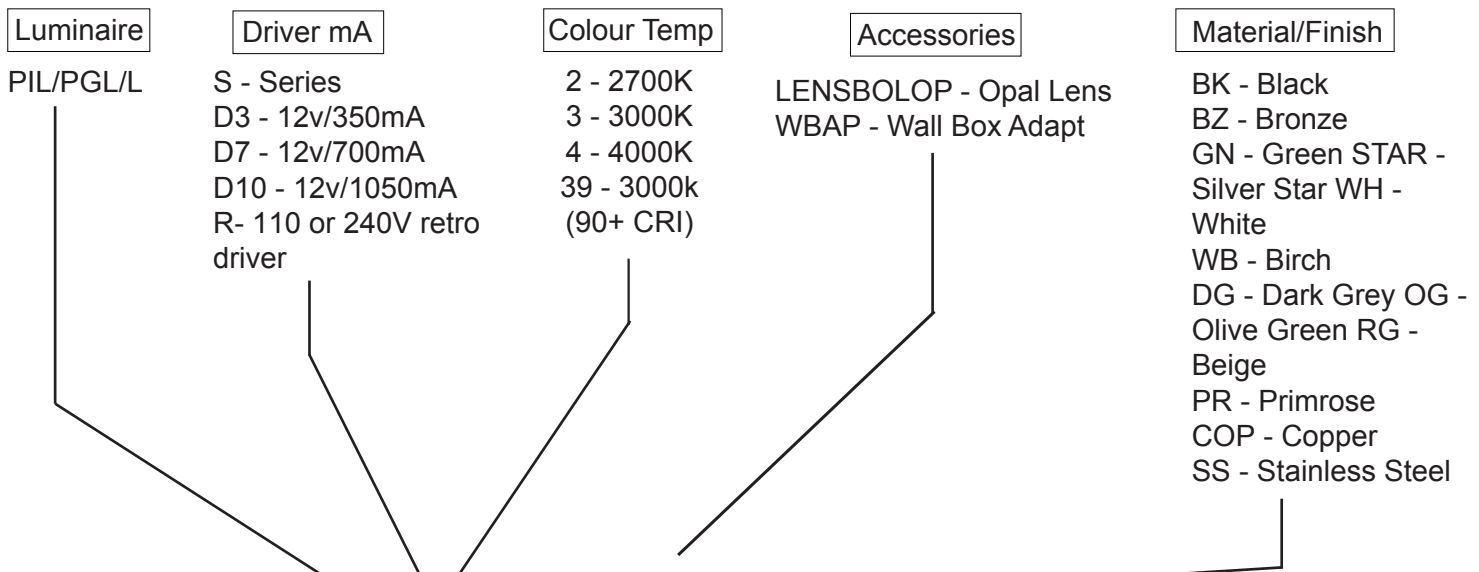
The Hunza PURELED system uses the latest Cree MTG-2 LED chips for maximum performance and long life. Power supply options include a choice of intergral 12 volt driver, an intergral Retro™ 110/240 volt driver or an external remote driver. The integral Retro driver has a 0-10 volt dimming function. PURELED incorporates an innovative Plug-and-Play system for easy replacement or upgrade of either the LED engine or integral driver.

The Retro™ version is ideal for installations where mounting an external power source is a problem, e.g. on a brick wall where there is no space to recess the driver. The base size increases in depth to accommodate the encapsulated IP66 dimmable driver.

*At 700mA this fitting is the equivalent of a 35w halogen fitting.

*At 1050mA this fitting is the equivalent of a 50w halogen fitting.

Ordering Information



Ordering Example: PGL/PGL/L R 3 LENSBOLOP BK

HUNZA™
PURE
OUTDOOR
LIGHTING

HUNZA FACTORY
130 Felton Mathew Ave
Saint Johns
Auckland 1072
New Zealand

Ph: 64-9-528 9471
Fax: 64-9-528 9361
hunza@hunza.co.nz
www.hunza.co.nz

INTERNATIONAL CONTACTS:
www.hunza.co.nz/contacts.php

Specifications may change without notice.
Manufactured in New Zealand.
© 2014 Hunza Holdings Ltd.

Luminaire Construction

CNC Machined from one of the following metals:

Aluminium

Body: High corrosion resistant 63.5mm (2.5") x 10mm (25/64") aluminium.

Base & Mounting Plate: Cast from virgin high corrosion resistant CC401 low copper aluminium alloy with chromate substrate and high UV resistant polyester powder coat – Black, Bronze, Green, Silver Star, White, Birch, Dark Grey, Olive Green, Beige, Primrose.

Copper

Body: 63.5mm (2.5") x 10mm (25/64").

Base: Hand Spun Copper 2mm (5/64")

Mounting Plate: Forged Brass (Retro™)

Stainless Steel

Body: 63.5mm (2.5") x 9mm (11/32") rod

Base: Investment cast and CNC machined

Mounting Plate: Investment cast and CNC machined (Retro™)

Luminaire Weight

12 volt Alum: 0.860kg (1lb 14oz)
Cop: 1.900kg (4lb 3oz)
SS: 1.800kg (3lb 15oz)

Retro Alum: 1.200kg (2lb 10oz)
Cop: 2.200kg (4lb 10oz)
SS: 2.100kg (4lb 10oz)

Luminaire Features

Lens:

UV stable clear polycarbonate with stainless anti-glare mesh.

10mm (3/8") thick clear "flush fit" shatter resistant glass.

Life time warranty.

Gasket:

Silicone, iron impregnated 220°C (428°F)

Accessories:

Opal Lens (Cat.LENSBOLOP)
Wall Box Adaptor (Cat. WB)

Mounting

12 Volt: The luminaire is mounted to the wall using two 316 stainless screws through a shallow base 16mm (5/8") in depth. A Wall Box Adaptor Plate is available as an accessory to fit 3/0 and 4/0 junction boxes for USA/Canada.

Retro™ : A mounting plate is fixed to the wall using two screws and the luminaire is fitted to the mounting plate.

Technical Information

Standards

AS/NZS 61046
IP56/IP66 UL 1838

LED (per head)

Cree MTG-2 Plug and Play, field replaceable LED board.

Lumen Output: 600 lm at 1050mA

Lumens Per watt: 85 minimum

CRI Warm White (3000k): 85+

Colour Temp: 2700, 3000 or 4000K

High CRI Option (3000K): 90+
(lumen output decreases by 15%)

Power Supply

Series (Remote) Driver (per LED)

Constant current driver
LED requirements: 6vdc at 1050mA maximum

Integral 12 Volt Driver

Hunza™ Plug and Play Driver
Input: 12vac, 14 watt total Output: 350 / 700 / 1050mA
(1050mA limited ≤ 40° ambient temperature in Stainless Steel)

Transformer

Hunza™ Wall Mount Transformer for use with integral 12 volt driver

Retro 110 or 240 Volt Driver
Hunza™ Retro Driver
Input: 120 or 240vac, 10 watt total
Output: 700mA
0-10 volt dimming
(USA - non dimming)