

Pagoda Lite

Cat. No. PGL
 Cat. No. PGL/FL
 Cat. No. PGL/R
 Cat. No. PGLG9



The Pagoda Lite produces a general lighting effect. This luminaire is not for directional lighting. The lens is manufactured from high quality UV stable polycarbonate with stainless anti-glare mesh.

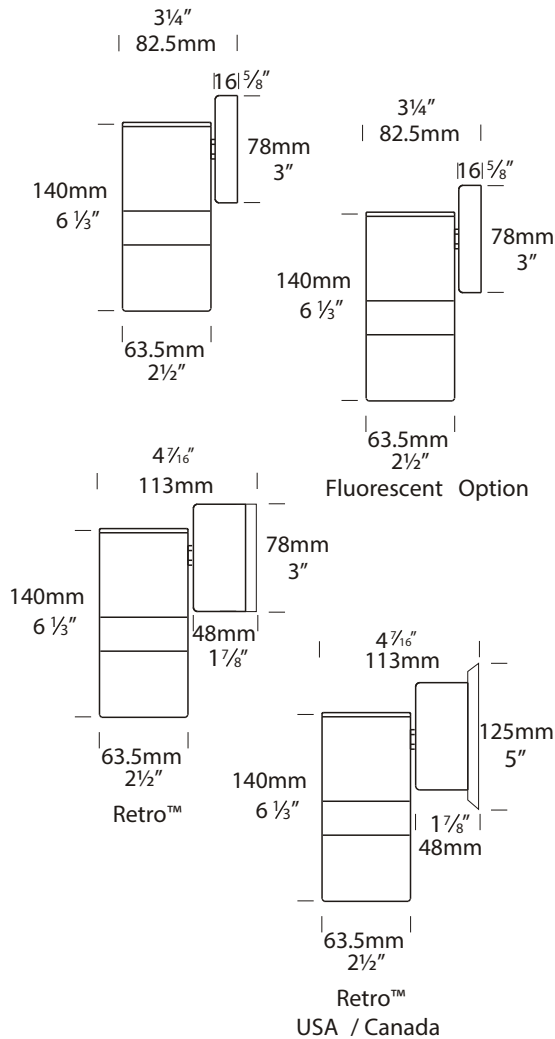
The Retro™ is a 110/240-12 ac mains option suited to an installation where mounting a transformer is a problem, e.g. a brick wall where there is only the cable protruding out of the wall and it is not an option to recess the transformer or when replacing an existing light fitting. The base size increases in size to accommodate the encapsulated IP66 dimmable transformer.

A 110/240 volt fluorescent option is available which offers excellent light output, low energy usage and very low heat generation, this changes the luminaire to an IP66 rating.

A G9 version of this luminaire is also available for line voltage lamps.

Ordering Information

Luminaire Type	Material/Finish	Accessories
PGL - Pagoda Lite	BK - Black BZ - Bronze GN - Green STAR - Silver Star WH - White WB - Birch DG - Dark Grey OG - Olive Green RG - Beige PR - Primrose COP - Copper SS - 316 Stainless Steel	CJK150 - Cable Joint Kit FL - Fluorescent Option /R - Retro Transformer 110/240-12 Volt LENSBOLOP - Opaque Lens WBAP - Wall Box Adaptor Plate G9 - G9 Option
		For LED options, refer to page 10.4.1 (G4 JC LED), 10.4.6 (Wafer LED) or http://hunza.co.nz/l.html



Ordering Example: PGL BZ - Pagoda Lite in Bronze
 PGLG9 BK - Pagoda Lite G9 in Black
 WBAP BZ - Wall Box Adaptor Plate in Bronze
 (Accessories ordered separately)

HUNZA™ PURE OUTDOOR LIGHTING

HUNZA FACTORY
 130 Felton Mathew Ave
 Glen Innes
 Auckland 1072
 New Zealand

Ph: 64-9-528 9471
 Fax: 64-9-528 9361
hunza@hunza.co.nz
www.hunza.co.nz

INTERNATIONAL CONTACTS:
www.hunza.co.nz/contacts.php

Specifications may change without notice.
 Manufactured in New Zealand.
 © 2011 Hunza Holdings Ltd.

Luminaire Construction

CNC machined from one of the following metals:

Body: High corrosion resistant low copper 63.5mm (2½") x 10mm (25/64") aluminium.

Base & Mounting Plate: Cast from virgin high corrosion resistant CC401 low copper aluminium alloy chromate substrate and high UV resistant polyester powder coat - Black, Bronze, Green, Silver Star, White, Birch, Dark Green, Olive Green, Beige, Primrose.

Copper: Body 63.5mm (2½") x 10mm (25/64).

Base: Hand spun Copper 2mm (5/64").
Mounting Plate: Forged brass (Retro™)

316 Stainless Steel: Body 63.5mm (2½") x 9mm (11/32) rod.

Base: Investment cast and CNC machined.

Mounting Plate: Investment cast and CNC machined (Retro™).

Mounting

12 volt: the luminaire is mounted to the wall using two 316 stainless screws through a shallow base 16mm (5/8") in depth. A Wall Box Adaptor Plate is available as an accessory to fit 3.0 and 4.0 junction boxes for USA/Canada.

Retro™ luminaire (110/240-12 volt): a mounting plate is fixed to the wall using two screws and the luminaire is fitted to the mounting plate.

Features

Lens:

UV stable clear polycarbonate with stainless anti-glare mesh.

Gaskets:

Silicone, iron impregnated 220°c (428°f)

Lamp Holders:

G4 - 350°c (662°f) ceramic multi contact lamp holder with 250°c (480°f) teflon cables.

G9 - 280°c (536°f) ceramic lamp holder with 250°c (480°f) teflon cables.

Fluorescent:

E27 PET 210°c (410°f) base mount.

E26 available in the USA.

Accessories:

Cable Joint Kit (Cat. CJK150).
Not approved for USA /Canada.

Fluorescent Option 8 watt 240 volt (Cat. FL).


Retro™ Transformer 110/240-12 volt (Cat. /R).

Opaque Lens (Cat. LENSBOLOP).

Wall Box Adaptor Plate USA/Canada (Cat. WBAP 12 volt luminaire).

G9 Option (Cat. G9).

Standards

IP66 AS/NZS61046  UL1838

Luminaire Weight

12 volt

Alum .510kg (1lb 1oz)

Cop 1.220kg (2lb 11oz)

SS 1.120kg (2lb 7oz)

Retro™

Alum .840kg (1lb 13oz)

Cop 1.500kg (3lb 4oz)

SS 1.460kg (3lb 3oz)

Power Supply

12 volt

HUNZA™ Inground or HUNZA™ Wall Mount Transformer: not included.

USA and Canada:

HUNZA™ Wall Mount Transformer: not included

RETRO™

HUNZA™ 110/240-12 volt ac silicone encapsulated electronic transformer built into the Retro base. Dimmable with a suitable dimmer.

Luminaire: supplied with

G4 Bi-Pin 5, 10, 20 watt lamp max.

Fluorescent

E27 - 110/240 volt self ballasted lamp

G9 - 25 watt lamp max.

LED - Refer to previous page.

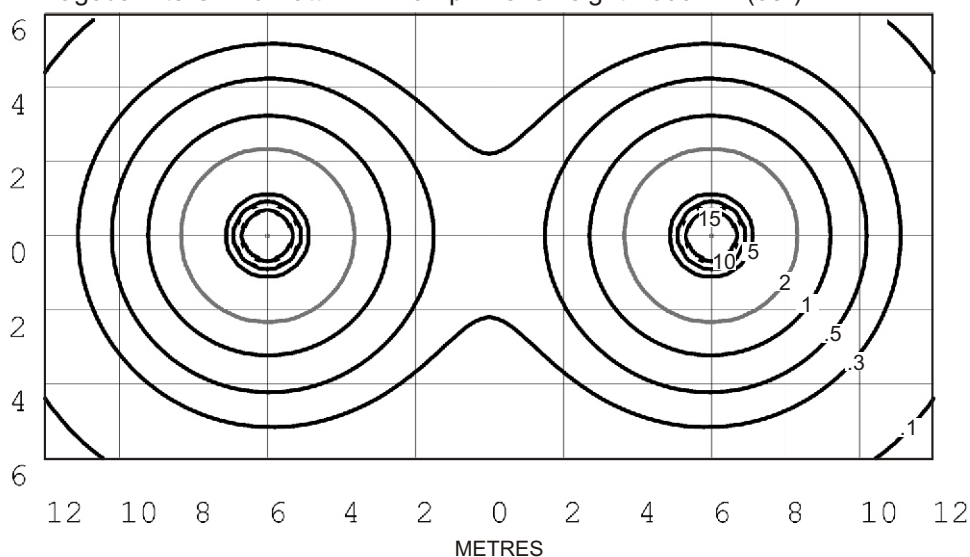
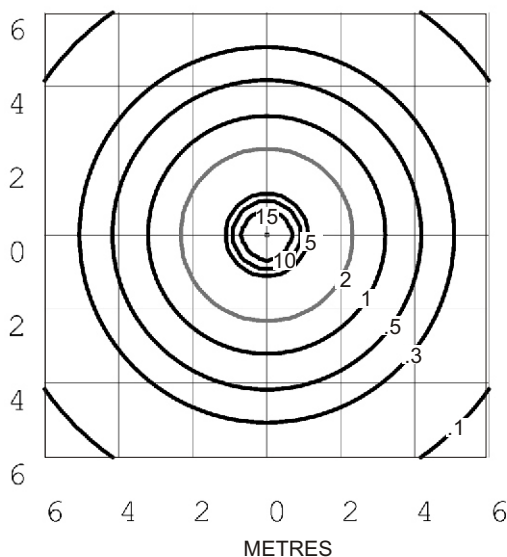
USA and Canada:

G4 Bi-Pin 5, 10, 20 watt lamp max.

G9 - 25 watt lamp max.

LED - Refer to previous page.

Pagoda Lite G4 20 watt Bi-Pin lamp - Lens height 1600mm (63")



Isolux Lumens Plot - Footcandles = Isolux figures divided by 10.76

HUNZA™ PURE OUTDOOR LIGHTING

HUNZA FACTORY
130 Felton Mathew Ave
Glen Innes
Auckland 1072
New Zealand

Ph: 64-9-528 9471
Fax: 64-9-528 9361
hunza@hunza.co.nz
www.hunza.co.nz

INTERNATIONAL CONTACTS:
www.hunza.co.nz/contacts.php

Specifications may change without notice.
Manufactured in New Zealand.
© 2011 Hunza Holdings Ltd.

Ver 1.4