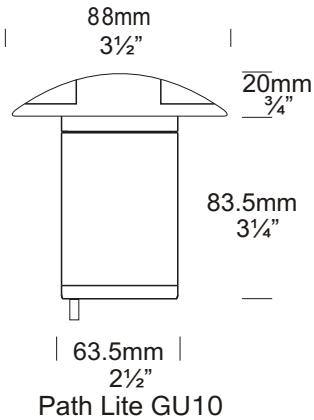
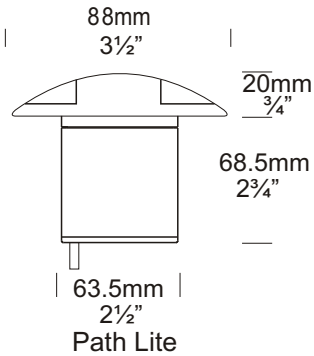


# Path Lite

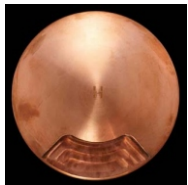
Cat. No. PL



PATH 1 - 180° Beam

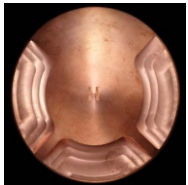
PATH 90 - 1-90°

PATH 2 - 2-90°



PATH 3 - 270°

PATH 4 - 360°



The Path Lite is ideal for lighting flat areas, decks, paved courtyards, and edge lighting paths. The frosted Borosilica dome glass lens has been developed to prevent dirt, mud, grass clippings or water from entering the optics area, keeping with its IP68 rating. In addition, the glass lens now retains the sealing gasket. The Path Lite 2 facet may be used as a Step Lite in a wall or fence, etc. to shine light up and down.

The Path Lite flanges are very durable and can withstand static weight loads of between 1700kg and 3500kg.

GU10 version of this luminaire is available for line voltage lamps.

## Ordering Information

### Luminaire Type

PL(1-4) - Path Lite

### Material

COP - Copper  
SS - 316 Stainless Steel

### Accessories

CJK150 - Cable Joint Kit  
Canss - 316 Stainless Canister  
Dkcan - Deck Canister  
Flcan - Floor Canister  
GU10 - GU10 option

### Flange

- 1-90 - Single Facet  
1-90° Beam Spread
- 1 - Two Facet  
180° Beam Spread
- 2 - Two Facet  
2-90° Beam Spread
- 3 - Three Facet  
270° Beam Spread
- 4 - Four Facet  
360° Beam Spread

Ordering Example

PL 3 COP - Path Lite 3 facet in Copper

PL 2 SS - Path Lite 2 facet in 316 Stainless Steel

PL 2GU COP - Path Lite 2 facet GU10 in Copper

(Accessories ordered separately)

**HUNZA**™ PURE  
OUTDOOR  
LIGHTING

**HUNZA FACTORY**  
130 Felton Mathew Ave  
Glen Innes  
Auckland 1072  
New Zealand

Ph: 64-9-528 9471  
Fax: 64-9-528 9361  
hunza@hunza.co.nz  
www.hunzalighting.com

**INTERNATIONAL CONTACTS:**  
[http://www.hunzalighting.com/  
contact.php](http://www.hunzalighting.com/contact.php)

Specifications may change without notice.  
Manufactured in New Zealand.  
© 2016 Hunza Holdings Ltd. Ver 1.4

## Luminaire Construction

CNC machined from one of the following metals:

Copper Body: 63.5mm (2½") x 9mm (1/3"). End cap - solid copper 63.5mm (2½") rod.  
Flange 90mm (3½") solid copper rod.

316 Stainless Steel Body: 63.5mm (2½") x 9mm (1/3").  
End cap - solid 316 stainless steel 63.5mm (2½") rod.  
Flange 90mm (3½") solid 316 stainless steel rod.

## Mounting

Floor Lite canister (see accessories) can be used for casting into concrete or a Deck Lite canister for mounting into a wooddeck. Two screws holes in the flange can be specified if canisters are not required.

## Features

**Lens:**  
3mm (1/8") thick frosted Borosilica dome glass lens.  
Lifetime Warranty.

**Gaskets:**  
Silicone, iron impregnated 220°C (428°F).

**Lamp Holders:**  
GU10 - 350°C (662°F) ceramic multi contact lamp holder with 250°C (480°F) teflon cables.

**Accessories:**  
Cable Joint Kit (Cat. CJK150). Not approved for USA/Canada.  
Deck Light Canister (Cat. Dkcan).  
Floor Canister (Cat. Fican).  
316 Stainless Canister for use in lime stone etc. (Cat. Canss).  
GU10 Option (Cat. GU).

## Standards

EN60598

IP66/IP68



UL1838

## Luminaire Weight

12 volt

Cop 1.430kg (3lb 2oz)

SS 1.105kg (2lb 6oz)

## Power Supply

HUNZA™ Inground or Wall Mount Transformer: not included.

USA and Canada:

HUNZA™ Wall Mount Transformer: not included.

## Luminaire: supplied with

Halogen

GU10 - GU10 25 or 35 watt lamp max.

**LED** - Refer to previous page.

USA and Canada:

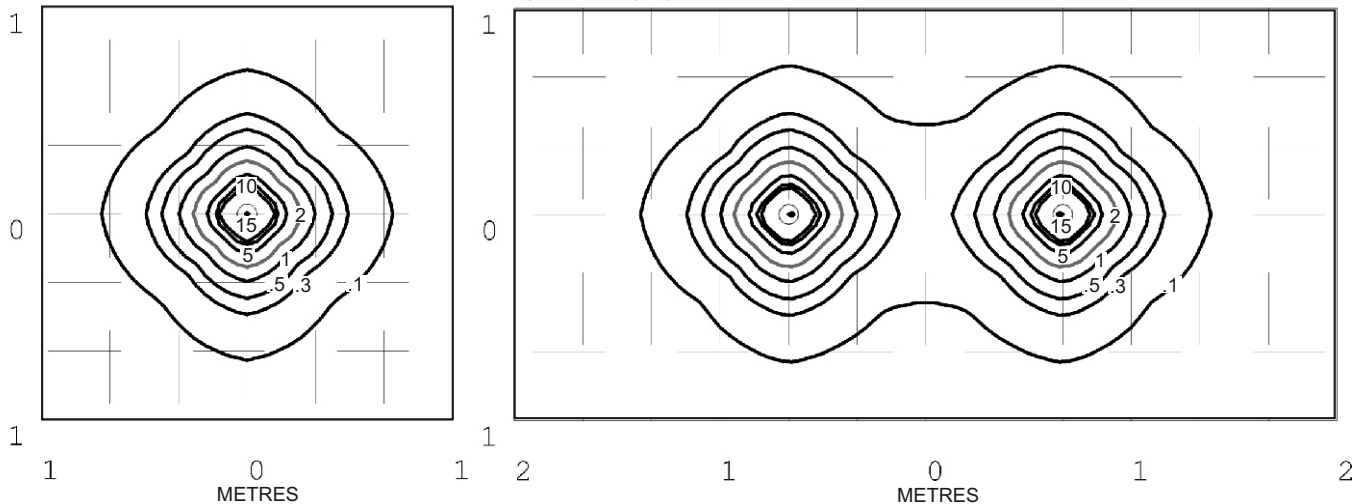
GU10 Halogen - Lamp not supplied

## Hunza Path Lite Static Load Rating (316 Stainless Steel)

Code	Description	Onset of plastic deformation (kN)	Suggested rating
PL1-90 SS	Single Facet	35	3500kg (7716lb)
PL1 SS	Two Facet 180°	26	2650kg(5842lb)
PL2 SS	Two Facet 90°	20	2000kg(4409lb)
PL3 SS	Three Facet	19	1900kg(4189lb)
PL4 SS	Four Facet	17	1700kg(3748lb)

Note: 1 Kilonewton (kN) equals 101.972 Kilograms (KG's)

Path Lite 4 facet G4 20 watt lamp - Lens height 5mm (¼")



Isolux Lumens Plot - Footcandles = Isolux figures divided by 10.76

**HUNZA™** PURE OUTDOOR LIGHTING

**HUNZA FACTORY**  
130 Felton Mathew Ave  
Glen Innes  
Auckland 1072  
New Zealand

Ph: 64-9-528 9471  
Fax: 64-9-528 9361  
hunza@hunza.co.nz  
www.hunzalighting.com

**INTERNATIONAL CONTACTS:**  
<http://www.hunzalighting.com/contact.php>

Specifications may change without notice.  
Manufactured in New Zealand. Ver 1.4  
© 2016 Hunza Holdings Ltd.