

ST100RGBW SAFE TOUCH

PROJECT:

TYPE:

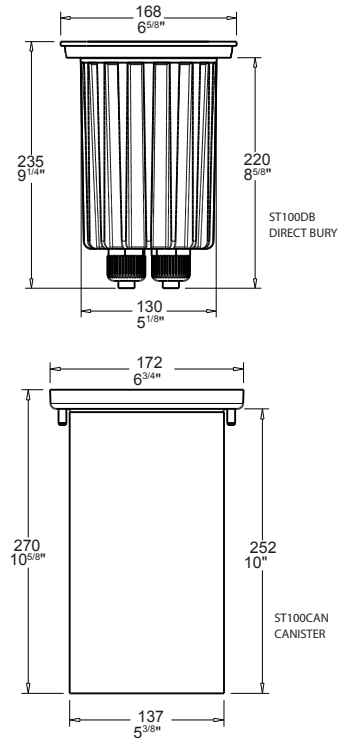
SOURCE:

NOTES:

SPECIFICATIONS

IK10 IP67 CE **PENDING** cUL US LISTED

LED Chip	LED ENGIN LZP RGBW field replaceable LED board
Luminaire Output	1400 total Lumens @ 350mA (26 watts) All colours on, Delivered from Luminaire with unobstructed beam.
Lumens Per Watt	54 Lumens minimum @ 26 watts, Delivered from Luminaire with unobstructed beam
CRI (6500K)	RGBW (White 75)
Colour Temperatures	RGBW (White CCT 6500)
Beam Angles	13, 30, 50
Ingress Protection	IP67
Warranty	Electronics = 5 years Body Aluminium = 5 years
Standards	cUL 1598 PENDING CE



PRODUCT CONFIGURATION

Please fill in appropriate codes into boxes provided

Cat. No. ST100RGBW

Luminaire

ST100RGBWDB
ST100RGBWSC

Power

SR

Material/ Finish

[]

SBZ SOLID BRONZE 13 13°
SS STAINLESS STEEL 30 30°
SSP POLISHED SS 50 50°

Beam

[]

13 13°
30 30°
50 50°

Accessories

[] [] [] [] []

ST100HC HEX CELL LOUVRE
GS05 GLARE SHEILD
LF FROSTED LENS
A/SLIP ANTI SLIP LENS
CJK CABLE JOINT KIT

SR SERIES REMOTE

SERIES REMOTE:

Constant current 4 channel
DMX / DALI driver (included)
Fixture require 20vdc per
channel @ 350mA maximum

ADDITIONAL COMMENTS:

LUMINAIRE CONSTRUCTION

CNC machined or cast from one of the following metals:

Body - Cast from virgin high corrosion resistant, low copper content (0.001%) aluminium alloy. Finished with chromate substrate, Epoxy layer and a UV resistant polyester powder coat colour.
Colour - Black.

Flanges - Machined from either
Solid Bronze 260mm x 6mm (10^{1/4}" x 1/4")
316 Stainless Steel 260mm x 6mm (10^{1/4}" x 1/4")

All fixings are made from 316 Stainless Steel

Step Lens:

12mm (1/2") Extra clear, low iron, shatter resistant glass. Anti Slip option available. Lifetime warranty

Gaskets:

Silicone, iron impregnated 220°C (428°F)

Cable:

Water resistant rubber

Mounting:

The ST100 is available with a 316 stainless steel mounting canister for casting into the ground or into concrete.

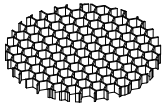
Maximum drive over speed 10 kp/h (6mp/h) with a maximum load rating of 2000kgs (4400lbs).

Luminaire Weight:

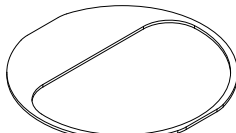
Stainless Steel 8kg (17lbs 10oz)

Solid Bronze 9kg (19lbs 13oz)

ACCESSORIES



Hex Cell Louvre

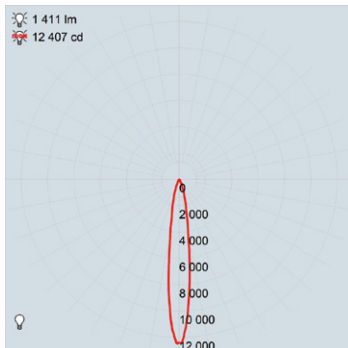


Glare Shield

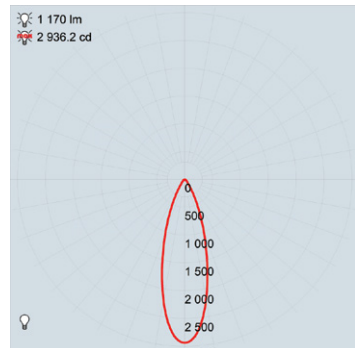
BEAM ANGLES

High efficiency Reflectors. Field replaceable

IES files available for download: www.hunzalighting.com/download.php



13° FWHM
TIR

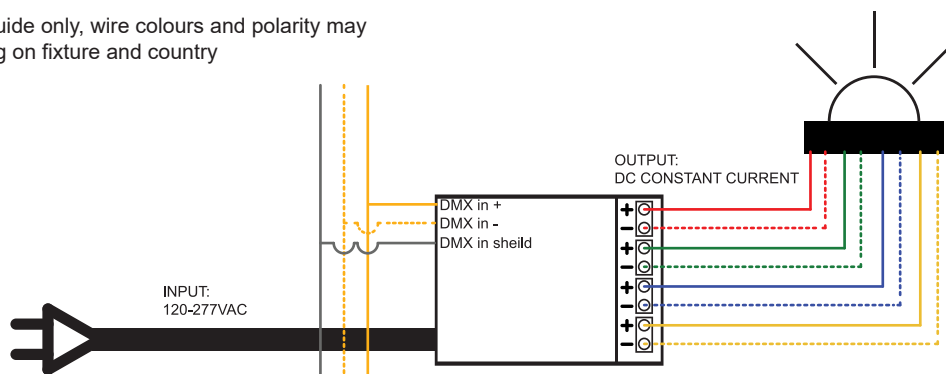


30° FWHM
TIR

WIRING GUIDE

Diagrams are a guide only, wire colours and polarity may change depending on fixture and country

available for download: www.hunzalighting.com/download.php



Specifications may change without notification

Mar 2018