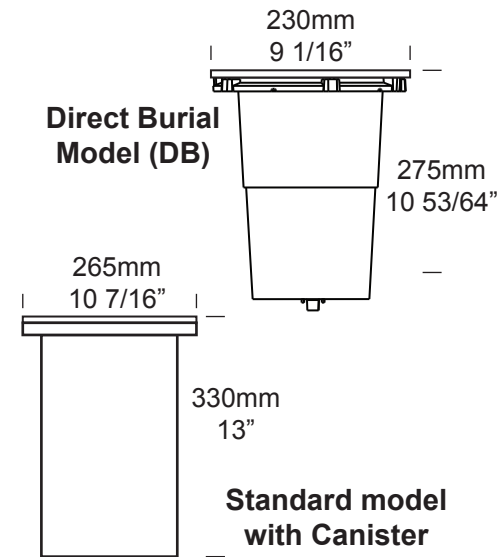


# SafeTouch™ 150

5% □

Cat. No. ST150/5%:CAN

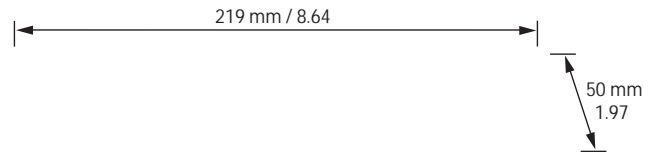
Cat. No. ST150/5%:DB



PURE LED  
Pure Performance

7KH8OWUD6DIH7RXFK7005%:DUURZG OXPLDLUH KDV  
 EHHGHVLJHGIRU XSOLJKWLJDSXEOLFMSDFHVDERUSRUDWL  
 KLJKRXWSXWXPXOWLERORXU(MVWHPWKDWLVERWUROOHC  
 WRSURGXFHDERORXULWKHYLMLEOHMSHEWUXPLFOXGLJS  
 DGYDULRXVMKDGHVRIZKLWH  
 2XU5%:(MVWHPVMXSHULRUWRROGHU5%VMWHPV□  
 WKDW DUDJHRI ZDUP ZKLWH FRORXU WHPSHUDWXUHV  
 DEKLHYHG DVZHOODVD DPEKPRUH HWHVLYH UDJH RIXEW  
 KXHV  
 7KLMWUXUHRSHUDWHVDWYHUERROOHMVWHPSHUDWXUHV  
 IRU DSXEOLFMSDFHV DGLWKDV DIXOODGMXWDEOHJL  
 DOORZLJGHJUHHURWDWLRDGGHJUHHHOHYDWLR

ST150 RGBW GIMBAL



## Ordering Information



### Luminaire

### Driver

### Beam Angle

### Colour Temp

### Accessories

### Flange Option

ST150/5%:CAN  
ST150/5%:DB

SR - Remote □

3 - 3000K  
5% □

CJK150 - Cable Joint Kit  
ST150FL - Frosted Lens  
67673WL6OLS □  
/HV

SBZ - Solid Bronze  
SS - Stainless Steel  
SSP - Polished SS

Ordering Example: ST150/5%:DB 1DUURZ □

**HUNZA**™ PURE  
OUTDOOR  
LIGHTING

HUNZA FACTORY  
130 Felton Mathew Ave  
St Johns  
Auckland 1072  
New Zealand

Ph: 64-9-528 9471  
Fax: 64-9-528 9361  
hunza@hunza.co.nz  
www.hunza.co.nz

INTERNATIONAL CONTACTS:  
www.hunza.co.nz/contacts.php

Specifications may change without notice.  
Manufactured in New Zealand.  
© 2011 Hunza Holdings Ltd.

## Luminaire Construction

### Body:

Cast from virgin high corrosion resistant very low copper (.001%) aluminium alloy, with chromate substrate, epoxy water resistant layer and high UV resistant polyester powder coat top layer.

**Body Colour:** Black

### Flanges:

The flange is attached to the body by five 316 Stainless Steel allen head anti vandal screws with anti gall threaded inserts and is machined from either Solid Bronze or 316 stainless steel.

Solid Bronze - 260mm x 6mm (10 1/4" x 1/4").

316 Stainless Steel - 260mm x 6mm (10 1/4" x 1/4").

### Luminaire Weight

SS: 9kg (19lb 14oz)

SBZ: 9kg (19lb 14oz)

## Features

### Lens:

12mm (1/2") extra clear low iron flush fit shatter resistant glass. Lifetime Warranty.

### Gasket:

Silicone, iron impregnated 220°C (428°F)

### Accessories:

Cable Joint Kit (Cat. CJK150)  
Frosted Lens (Cat. ST150FL)  
Anti Slip Lens (ST150A/SLIP)

### Mounting

The Safe Touch™ 150 is available with a tri-layer coated alloy heat dissipating mounting canister for casting in the ground or in concrete. Maximum drive over speed 10 kp/h (6mp/h) and maximum weight is 2000kg (4400lbs).

## Technical Information

### Standards

BS/EN 60598.2.2  
IP67

### LED

Cree XPE x 36 (colours)

Cree XPG x 12 (white).

**Lumen Output:** 3000 lumens when all colours are on

**Colour Temp:** 3000K, RGBW

### Power Supply

Supplied by Hunza:

ELDOLED Powerdrive 4 channel

Input: 120-277VAC.

Output: Set at max. 60 Watt

Control: DMX