

ST150RGBW SAFE TOUCH

PROJECT: _____

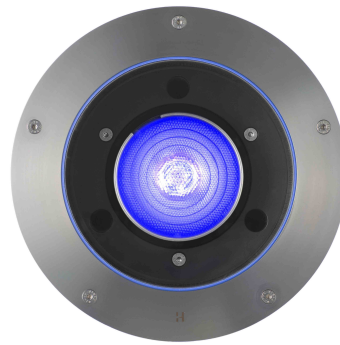
TYPE: _____

SOURCE: _____

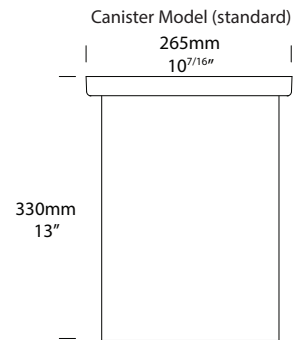
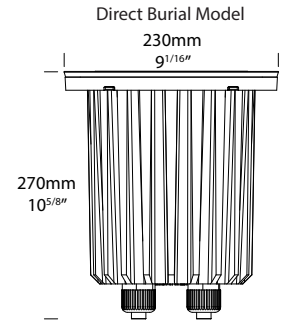
NOTES: _____

SPECIFICATIONS IK10 IP67

LED Chip	LED ENGIN L2P RGBW field replaceable LED board
Luminaire Output	2800 total Lumens @ 700mA (52 watts) all colours on, delivered from Luminaire with unobstructed beam.
Lumens Per Watt	54 Lumens minimum @ 52 watts, delivered from Luminaire with unobstructed beam
CRI (6500K)	RGBW (White 75)
Colour Temperatures	RGBW (White CCT 6500)
Beam Angles	13, 30, 50
Ingress Protection	IP67
Warranty	Electronics = 5 years Body Aluminium = 5 years
Standards	BS/EN 60598.2.2 cUL 1598 CE



ST150RGBW/SC



PRODUCT CONFIGURATION

Please fill in appropriate codes into boxes provided

Cat. No. ST150RGBW

Luminaire

- ST150RGBW/DB
- ST150RGBW/SC
- ST150RGBW/CAN
Double Flange Model

Power

SR

Material/ Finish

- SBZ SOLID BRONZE
- SS STAINLESS STEEL
- SSP POLISHED SS

Beam

- 13 13°
- 30 30°
- 50 50°

Accessories

- ST150HC HEX CELL LOUVRE
- GS15 GLARE SHEILD
- LF FROSTED LENS
- A/SLIP ANTI SLIP LENS
- CJK CABLE JOINT KIT

SR SERIES REMOTE

SERIES REMOTE:
Constant current 4 channel
DMX / DALI driver (included)
Fixture require 20vdc per
channel @ 700mA maximum

ADDITIONAL COMMENTS: _____

LUMINAIRE CONSTRUCTION

CNC machined or cast from one of the following metals:

Body - Cast from virgin high corrosion resistant, low copper content (0.001%) aluminium alloy. Finished with chromate substrate, Epoxy layer and a UV resistant polyester powder coat colour.
Colour - Black.

Flanges - Machined from either
Solid Bronze 260mm x 6mm (10^{1/4}" x 1/4")
316 Stainless Steel 260mm x 6mm (10^{1/4}" x 1/4")

All fixings are made from 316 Stainless Steel

Step Lens:

12mm (1/2") Extra clear, low iron, shatter resistant glass. Anti Slip option available. Lifetime warranty

Gaskets:

Silicone, iron impregnated 220°C (428°F)

Cable:

Water resistant rubber

Mounting:

The ST150 is available with a 316 stainless steel mounting canister for casting into the ground or into concrete.

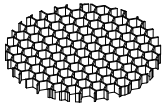
Maximum drive over speed 10 kp/h (6mp/h) with a maximum load rating of 2000kgs (4400lbs).

Luminaire Weight:

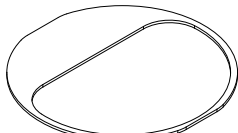
Stainless Steel 10kg (22lbs 1oz)

Solid Bronze 11kg (24lbs 4oz)

ACCESSORIES



Hex Cell Louvre

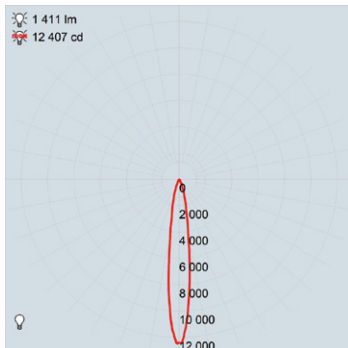


Glare Shield

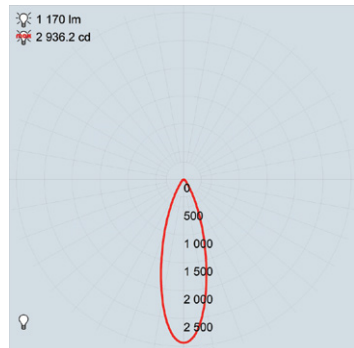
BEAM ANGLES

High efficiency Reflectors. Field replaceable

IES files available for download: www.hunzalighting.com/download.php



13° FWHM
TIR

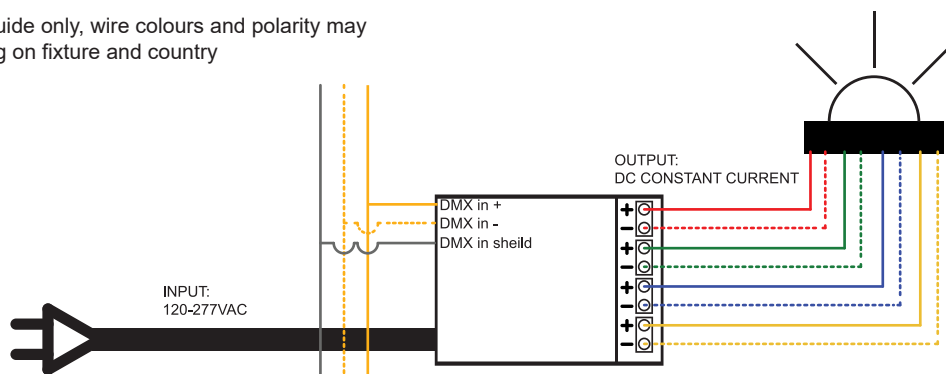


30° FWHM
TIR

WIRING GUIDE

available for download: www.hunzalighting.com/download.php

Diagrams are a guide only, wire colours and polarity may change depending on fixture and country



Specifications may change without notification

Mar 2018