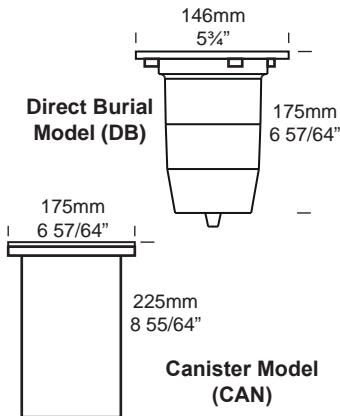


SafeTouch™ 50 HIGH POWER

Cat. NO ST50/HP
ST50/DB/HP



PURE LED
Pure Performance



The SafeTouch™ 50 High Power inground luminaire has been specifically designed with ultimate public safety as its primary objective. It produces high-output optically pure light, but operates with cool lens temperatures, low energy consumption and minimal maintenance. It has a fully adjustable gimble allowing 360° rotation and 0-20° elevation. This luminaire is extremely tough, durable and waterproof, making it ideal for installation in public spaces, large-scale projects and residential areas. The luminaire can be driven over or walked upon without being damaged.

The Hunza HIGH POWER system uses Cree MT-G 2 chips for maximum performance and long life. Power supply options include a choice of a 110-277 volt (Retro) driver or an external remote (series connection) driver. The HIGH POWER system incorporates Hunza's Plug-and-Play system for easy replacement of the LED engine. Four beam angles, and a choice of 2700K, 3000K and 4000K colour temperatures are available.

A Direct Burial option (ST50HP/DB) is available without the mounting canister, for installation directly in the soil or where there is limited depth. A Canister Option (ST50HP/CAN) is available with a tri-layer coated alloy heat dissipating mounting canister for casting in the ground or in concrete.

Ordering Information

Luminaire	Driver mA	Beam Angle	Colour Temp	Accessories	Flange Option
ST50/HP	S - Series	15 - 15° TIR Lens	2 - 2700K	ST50AS - Anti Slip Lens	SBZ - Solid Bronze
ST50/DB/HP	R - 110-277v Retro	25 - 25° TIR Lens	3 - 3000K	CJK150 - Cable Joint Kit	SS - Stainless Steel
		38 - 38° Reflector	4 - 4000K	ST50HCR - Hex Cell Louver	SSP - Polished Stainless Steel
		60 - 60° Reflector	39 - 3000K (90+ CRI)	ST50 - Frosted Lens	

Ordering Example: ST50/HP S 15 3 ST50AS SS

HUNZA™ PURE
OUTDOOR
LIGHTING

HUNZA FACTORY
130 Felton Mathew Ave
St Johns
Auckland 1072
New Zealand

Ph: 64-9-528 9471
Fax: 64-9-528 9361
hunza@hunza.co.nz
www.hunza.co.nz

INTERNATIONAL CONTACTS:
www.hunza.co.nz/contacts.php

Specifications may change without notice.
Manufactured in New Zealand.
© 2014 Hunza Holdings Ltd.

Luminaire Construction

Body

Cast from virgin high corrosion resistant very low copper (.001%) aluminium alloy, with chromate substrate, epoxy water resistant layer and high UV resistant polyester powder coat top layer.

Body Colour: Black

Flanges:

The flange is attached to the body by three 316 Stainless Steel allen head anti vandal screws with anti gall threaded inserts and is machines from either Solid Bronze or 316 stainless steel.
 Solid Bronze - 175mm x 6mm (6 7/8" x 1/4").
 316 Stainless Steel - 175mm x 6mm (6 7/8" x 1/4").

Luminaire Weight

SS: 1.7kg (4lb)
 SBZ: 1.7kg (4lb)
 Overall: 1.8kg (1.75lb)

Features

Lens

10mm (3/8") extra clear low iron flush fit shatter resistant glass. Lifetime Warranty.

Gasket

Silicone, iron impregnated 220°C (428°F)

Accessories

Cable Joint Kit (Cat. CJK150)
 Frosted Lens (Cat. St50FL)
 Hex Cell Louver (Cat. ST50HCR)
 Anti-Slip Lens (Cat. ST50AS)

Mounting

A Direct Burial option (ST50HP/DB) is available without the mounting canister, for installation directly in the soil or where there is limited depth.

A Canister Option (ST50HP/CAN) is available with a tri-layer coated alloy heat dissipating mounting canister for casting in the ground or in concrete.

Maximum drive over speed 10 kp/h (6mp/h) and maximum weight is 2000kg (4400lbs).

Technical Information

Standards

BS/EN 60598.2.2 (1)
 IP 67 UL 1598

LED

Cree MTG 2 Plug and Play, field replaceable LED board.

Lumen Output: 1000lm at 2080mA

Lumens Per watt: 83 minimum
CRI Warm White (3000k): 85+
Colour Temp: 2700K, 3000K or 4000K

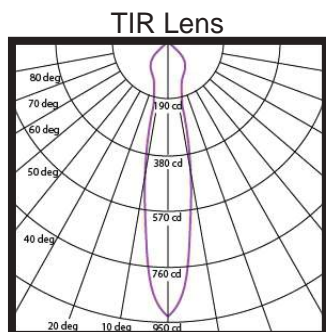
High CRI Option (3000K): 90+ (lumen output decreases by 15%)

Power Supply

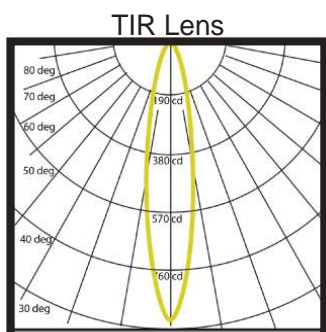
External (Series) Driver
 Constant current driver
 Output: 6vdc at 2080mA maximum

Retro 110-277 Volt Driver
 Hunza™ Retro Driver
 Input: 90-305vac, 2080mA
 0-10 volt dimming

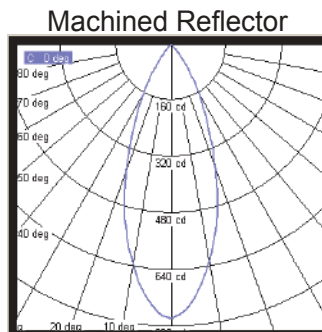
Reflector Beam Angles



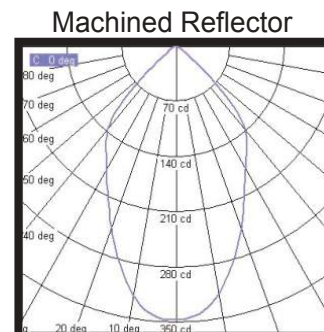
15° Angle
3000 K



25° Angle
3000 K



38° Angle
3000 K



60° Angle
3000 K

HUNZA™ PURE OUTDOOR LIGHTING

HUNZA FACTORY
 130 Felton Mathew Ave
 St Johns
 Auckland 1072
 New Zealand

Ph: 64-9-528 9471
 Fax: 64-9-528 9361
 hunza@hunza.co.nz
 www.hunza.co.nz

INTERNATIONAL CONTACTS:
www.hunza.co.nz/contacts.php

Specifications may change without notice.
 Manufactured in New Zealand.
 © 2014 Hunza Holdings Ltd.