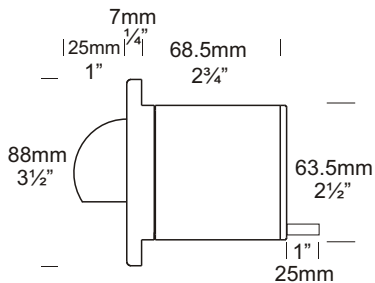


# Step Lite Solid Eyelid

Cat. No. SLS

Cat. No. SLSFL

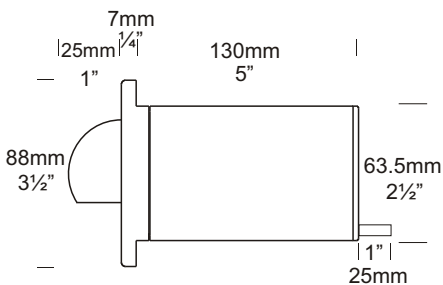
Cat. No. SLSGU



The Solid Eyelid Step Lite has a smooth machined finish without mounting holes to disrupt the elegant line of the fitting and is designed to fit into a mounting canister. The eyelid masks two thirds of the lamp which eliminates all upward light.

A 110/240 volt fluorescent option is available which offers excellent light output, low energy usage and very low heat generation, this changes the luminaire to an IP66 rating.

A GU10 version of this luminaire is also available for line voltage lamps. However, a longer luminaire body is needed to accommodate the longer lamp.



Fluorescent Option

## Ordering Information

### Luminaire Type

### Material/Finish

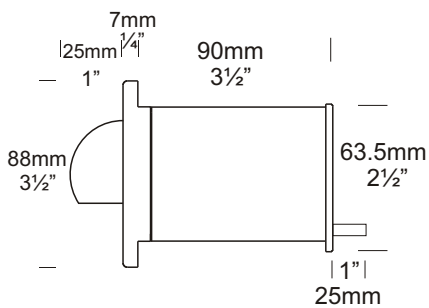
### Accessories

SLS - Step Lite  
Solid Eyelid

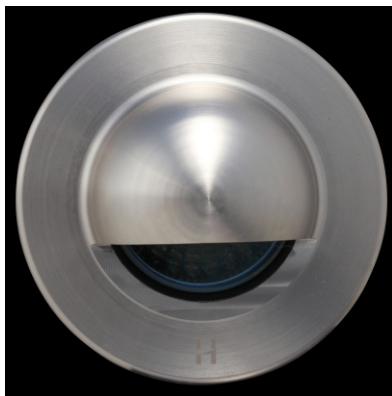
BK - Black  
BZ - Bronze  
GN - Green  
STAR - Silver Star  
WH - White  
WB - Birch  
DG - Dark Grey  
OG - Olive Green  
RG - Beige  
PR - Primrose  
COP - Copper  
SS - 316 Stainless Steel

CJK150 - Cable Joint Kit  
LENSSTEPF - Frosted Lens  
FL - Fluorescent Option  
HCL - Hex Cell Louvre Adaptor  
Canss - 316 Stainless Steel Canister  
Flucan - Fluorescent Canister  
Slcan - Step Lite Canister  
GU - GU10 Option

For **LED** options, refer to page 10.4 (dedicated LED), 10.4.3 (6 watt), 10.4.4 (3 watt) or <http://hunza.co.nz/l.html>



GU10 Option



Ordering Example: SLS SS - Step Lite Solid Eyelid in 316 Stainless Steel  
SLSFL COP - Step Lite Solid Eyelid in Copper with Fluorescent option  
SLSGU BK - Step Lite Solid Eyelid GU10  
HCL COP - Hex Cell Louvre in Copper  
(Accessories ordered separately)

**HUNZA**™ PURE OUTDOOR LIGHTING

**HUNZA FACTORY**  
130 Felton Mathew Ave  
Glen Innes  
Auckland 1072  
New Zealand

Ph: 64-9-528 9471  
Fax: 64-9-528 9361  
[hunza@hunza.co.nz](mailto:hunza@hunza.co.nz)  
[www.hunza.co.nz](http://www.hunza.co.nz)

**INTERNATIONAL CONTACTS:**  
[www.hunza.co.nz/contacts.php](http://www.hunza.co.nz/contacts.php)

Specifications may change without notice.  
Manufactured in New Zealand.  
© 2011 Hunza Holdings Ltd.

Ver 1.4

## Luminaire Construction

CNC machined from one of the following metals:

High corrosion resistant 63.5mm (2½") x 10mm (25/64") aluminium.  
End cap - solid aluminium 63.5mm (2½") rod, flange 90mm (3½") solid aluminium rod with chromate substrate and high UV resistant polyester powder coat

**Colours** Black, Bronze, Green, Silver Star, White, Birch, Dark Green, Olive Green, Beige, Primrose.

**Copper:** 63.5mm (2½") x 10mm (13/32"). End cap - solid copper 63.5mm (2½") rod.  
Flange 90mm (3½") solid copper rod.

**316 Stainless Steel:** 9mm (11/32"). End cap - solid 316 stainless steel 63.5mm (2½") rod.  
Flange 90mm (3½") solid 316 stainless steel rod.

## Mounting

Designed to fit through a 66mm (2 5/8") hole and be fixed into position by two screws in the flange or a Step Lite canister (see accessories) can be used which maintains the aesthetic look of the flange by eliminating the two screw holes in the flange.

## Features

**Lens:**  
3mm (1/8") thick clear tempered shatter resistant glass.  
Lifetime Warranty.

**Gaskets:**  
Silicone, iron impregnated 220°C (428°F).

**Lamp Holders:**  
GU5.3 & GU10 - 350°C (662°F) ceramic multi contact lamp holder with 250°C (480°F) teflon cables.

**Fluorescent:**  
E27 PET 210°C (410°F) base mount.  
E26 available in the USA.

## Accessories:

Cable Joint Kit (Cat. CJK150)  
Not approved for USA/Canada.  
Fluorescent Option 8watt 240 volt (Cat. FL) IP66.  
Frosted Lens (Cat. LENSSTEPF).  
Hex Cell Louvre Adaptor (Cat. HCL).  
Step Canister (Cat. Sican).  
Fluorescent Canister, PVC (Cat. Flucan).  
316 Stainless Canister for use in lime stone etc. (Cat. Canss).  
GU10 Option (Cat. GU).

## Standards

EN60598

IP66/IP68



UL1838

## Luminaire Weight

12 volt

Alum .465kg (1lb)

Cop 1.340kg (2lb 15oz)

SS 1.055kg (2lb 5oz)

Fluorescent IP66

Alum .780kg (1lb 11oz)

Cop 2.275kg (5lb)

SS 1.690kg (3lb 11oz)

## Power Supply

HUNZA™ Inground or Wall Mount  
Transformer: not included.

USA and Canada:

HUNZA™ Wall Mount Transformer:  
not included.

Luminaire: supplied with  
Halogen

MR16 GU5.3 20 watt lamp max.  
Fluorescent

E27 - 110/240 volt self ballasted  
lamp.

GU10 - GU10 25 or 35 watt lamp  
max.

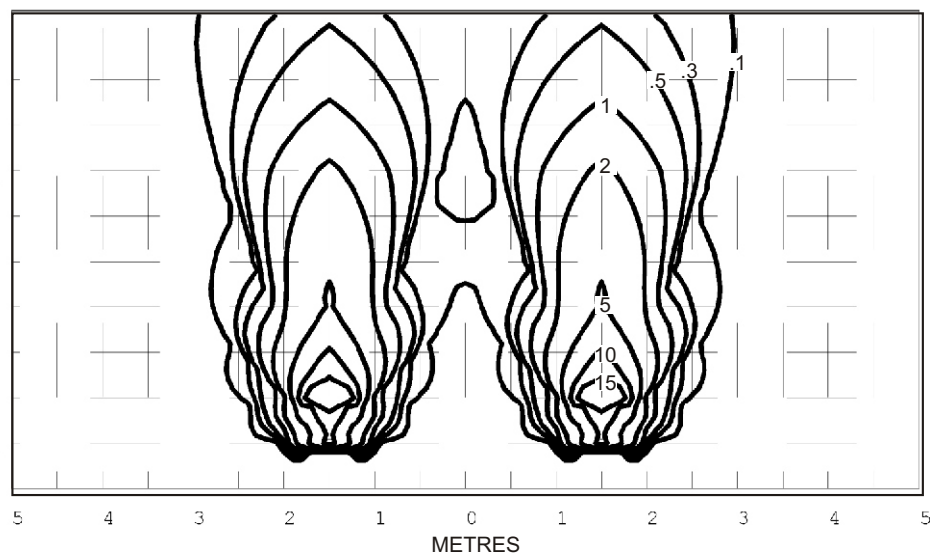
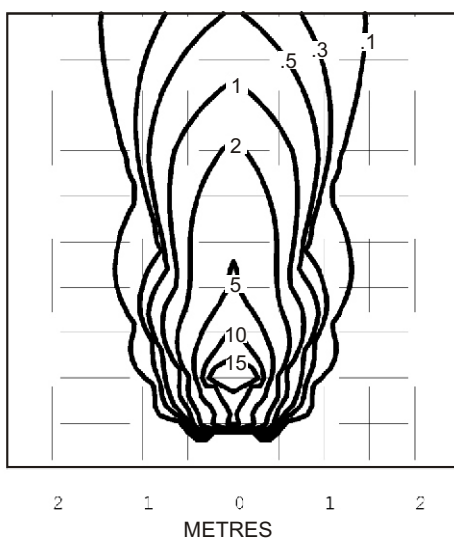
**LED** - Refer to previous page.

USA and Canada:

MR16 GU5.3 20 watt lamp max.  
GU10 Halogen - Lamp not supplied

**LED** - Refer to previous page.

Step Lite Eyelid Square 20 watt - Lens height 400mm (15¾")



Isolux Lumens Plot - Footcandles = Isolux figures divided by 10.76

**HUNZA™** PURE  
OUTDOOR  
LIGHTING

**HUNZA FACTORY**  
130 Felton Mathew Ave  
Glen Innes  
Auckland 1072  
New Zealand

Ph: 64-9-528 9471  
Fax: 64-9-528 9361  
hunza@hunza.co.nz  
www.hunza.co.nz

**INTERNATIONAL CONTACTS:**  
www.hunza.co.nz/contacts.php

Specifications may change without notice.  
Manufactured in New Zealand.  
© 2011 Hunza Holdings Ltd.

Ver 1.4