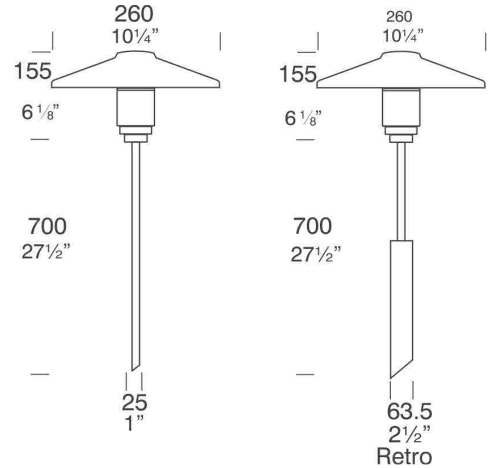


PROJECT:
TYPE:
SOURCE:
NOTES:

PURELED SPECIFICATIONS

LED Chip	Cree XHP-50-2 Plug and Play field replaceable LED board
Luminaire Output	510 Lumens @ 1050mA (6 watts), 340 Lumens @ 700mA (4 watts), 160 Lumens @ 350mA (2 watts), delivered from luminaire with unobstructed beam.
Lumens Per Watt	85 Lumens minimum @ 6 watts, delivered from luminaire with unobstructed beam
CRI (3000K)	85+ Standard, 90+ Optional
Colour Temperatures	2700K, 3000K, 4000K
Beam Angles	360 degrees
Ingress Protection	IP56/IP66
Warranty	Electronics = 5 years Body Cop/ SS = 10 years Body Aluminium = 5 years
Standards	AS/NZS 61046 cUL 1838, 2108 CSA C22.2 No.250.7, No.250.0-08 CE



PRODUCT CONFIGURATION

Please fill in appropriate codes into boxes provided

Cat. No. TL/L

Luminaire	Power	Material/ Finish	Beam	Colour	Accessories
TL/L					

- S SERIES, REMOTE DRIVER
- D3 12VAC, 2W INTEGRAL
- D7 12VAC, 4W INTEGRAL
- D10 12VAC, 6W INTEGRAL
- R RETRO, 110/240V DRIVER

- ALUMINIUM
- EBK BLACK
- EBZ BRONZE
- EOGR OLIVE GREEN
- EWH WHITE
- EWB WHITE BIRCH
- EDG DARK GREY
- ESTAR SILVER STAR
- ECT CORTEN
- COP SOLID COPPER
- SS STAINLESS STEEL

- 2 2700K
- 3 3000K
- 4 4000K
- 39 3000K, 90+ CRI

- SSP/G SUPER SPIKE
- FM FLANGE MOUNT
- CJK CABLE JOINT KIT
- BOLOP OPAQUE LENS

SERIES, REMOTE DRIVER REQUIRED:
Constant current driver
Individual fixtures require 6vdc @ 1050mA maximum

12VAC INTEGRAL DRIVER:
Hunza integrated plug and play driver (included)
Input: 9-15VAC, 7watt total
Output: 6vdc @ D3=350mA, D7=700mA, D10=1050mA (1050mA limited to ≤ 40°C (104°F) ambient temperature in stainless steel)

110/240VAC RETRO DRIVER:
Input: 120/240vac, 5 watt total (included)
Output: 6vdc, 700mA
0-10 volt dimming (USA - non dimming)

OTHER LAMP OPTIONS:

- TL/H - MR16 Halogen 12V Lamp
- TL/SL - MR16 LED Retrofit 12V Lamp (lamps vary by market - please refer to supplier for details)
- TL/GUH - GU10 120/240V Halogen Lamp (body length increases for all GU10 lamps)
- TL/GUSL - GU10 LED Retrofit 120/240V Lamp (lamps vary by market - please refer to supplier for details)

Please click for Remote Power Supply Guidance Charts:

- [USA \(page 1\)](#)
- [Rest of the World \(page 1\)](#)

[Click here for halogen specification sheet](#)

LUMINAIRE CONSTRUCTION

CNC machined from one of the following metals:

Aluminium:

Body: Solid high corrosion resistant 63.5mm (2½") x 10mm (3/8") aluminium.
 End cap: solid aluminium 63.5mm (2½") rod, with chromate substrate and high UV resistant polyester powder coat.
 Pole: aluminium 25.4mm (1") tube.
 Colours:
 Black, Bronze, Silver Star, White, White Birch, Olive Green, Dark Grey, Corten.

Copper:

Body: 63.5mm (2½") x 10mm (3/8").
 End cap: solid copper 63.5mm (2½") rod.
 Pole: solid copper 25.4mm (1") tube.

316 Stainless Steel:

Body: 63.5mm (2½") x 10mm (3/8").
 End cap: solid 316 stainless steel 63.5 (2½") rod.
 Pole: 316 stainless steel 25.4mm (1") tube.

Anti-glare Hood:

260mm (10¼") x 1.2mm (1/16") handspun aluminium, copper or stainless steel. No upward light or glare projected.

Gaskets:

Silicone, iron impregnated 220°C (428°F).

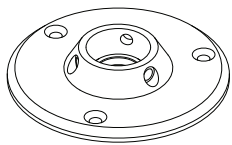
Mounting:

The pole 700mm (27½") is directly mounted into the earth. For extra stability in sand or loose ground use Hunza Super Spike.
 Flange Mount option is available for hard surfaces.

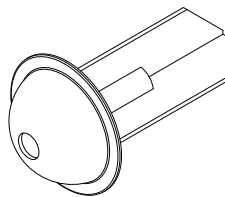
Luminaire Weight:

Low voltage
 Alum: 0.915kg (2lb)
 Cop: 1.590kg (5lb 11oz)
 SS: 1.450kg (3lb 13z)
 Retro™
 Alum: 2.000kg (4lb 6oz)
 Cop: 3.000kg (6lb 9oz)
 SS: 2.900kg (6lb 6oz)

ACCESSORIES



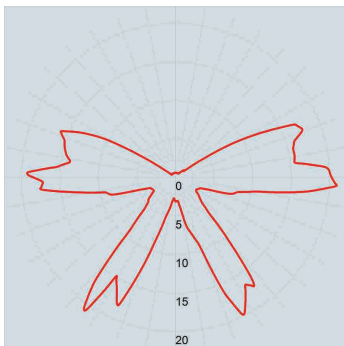
Flange Mount



Super Spike

BEAM ANGLES

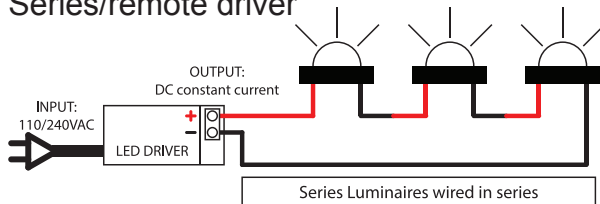
IES files available for download: <http://www.hunzalighting.com/download.php>



Polycarbonate lens

WIRING GUIDE

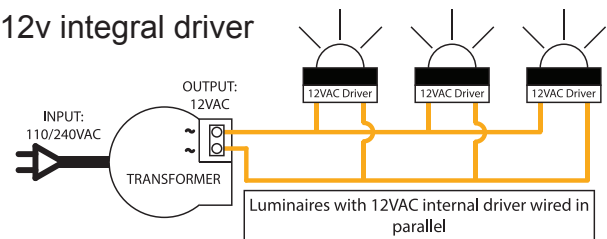
Series/remote driver



Diagrams are a guide only, wire colours and polarity may change depending on fixture and country

available for download: <http://www.hunzalighting.com/download.php>

12v integral driver



Specifications may change without notification

Aug 2017