

Tilting Eave Lite 6w PURE LED

PROJECT:

TYPE:

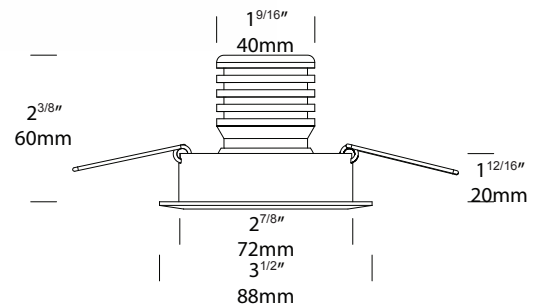
SOURCE:

NOTES:

SPECIFICATIONS



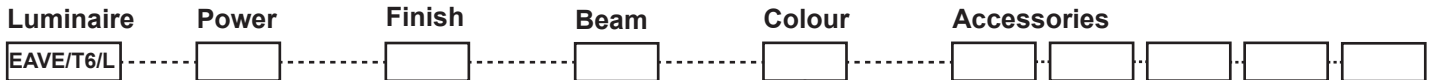
LED Chip	Cree XHP-50-2 Plug and Play field replaceable LED board
Luminaire Output	600 Lumens @ 1050mA (6 watts), 420 Lumens @ 700mA (4 watts), 240 Lumens @ 350mA (2 watts), delivered from luminaire with unobstructed beam.
Lumens Per Watt	100 Lumens @ 6 watts minimum, delivered from luminaire with unobstructed beam
CRI (3000K)	85+ Standard, 90+ Optional
Colour Temperatures	2700K, 3000K, 4000K
Beam Angles	15, 25, 38, 60
Ingress Protection	IP66
Warranty	Electronics = 5 years Flange Cop / SS = 10 years Body Aluminium = 5 years
Standards	AS/NZS 61046 cUL 2108 CSA C22.2 No. 250.0-08 CE



PRODUCT CONFIGURATION

Please fill in appropriate codes into boxes provided

Cat. No. EAVE/T6/L



- S SERIES, REMOTE DRIVER
- D3 12VAC, 2W INTEGRAL
- D7 12VAC, 4W INTEGRAL
- D10 12VAC, 6W INTEGRAL
- DC7 9-36VDC, 700mA

- ALUMINIUM
- EBK BLACK
- EBZ BRONZE
- EOGR OLIVE GREEN
- EWH WHITE
- EWB WHITE BIRCH
- EDG DARK GREY
- ESTAR SILVER STAR
- ECT CORTEN
- COP SOLID COPPER
- SS STAINLESS STEEL

- 15 15°
- 25 25°
- 38 38°
- 60 60°

- 2 2700K
- 3 3000K
- 4 4000K
- 39 3000K, 90+ CRI

- LF FROSTED LENS
- CJK CABLE JOINT KIT

SERIES, REMOTE DRIVER REQUIRED:
Constant current driver
Individual fixtures require 6vdc @ 1050mA maximum

12VAC INTEGRAL DRIVER:
Hunza integrated plug and play driver (included)
Input: 9-15VAC, 7watt total
Output: 6vdc @ D3=350mA, D7=700mA, D10=1050mA (1050mA limited to ≤ 40°C (104°F) ambient temperature in stainless steel)

24VAC INTEGRAL DRIVER:
Hunza integrated plug and play driver (included)
Input: 9-36vdc, 7 watt total
Output: 6vdc nominal, 700mA

ADDITIONAL COMMENTS:

[Please click for Hunza Power Supply selection Chart](#)
[Please click for Hunza Voltage drop Chart](#)

LUMINAIRE CONSTRUCTION

CNC machined from one of the following metals:

Aluminium:

Body: 45mm (1^{3/4}") anodised aluminium
 Flange: high corrosion resistant solid aluminium
 88mm (3^{1/2}") rod with chromate substrate and high UV resistant polyester powder coat.
 Colours:
 Black, Bronze, Silver Star, White, White Birch, Olive Green, Dark Grey, Corten.

Copper:

Flange: solid copper 88mm (3^{1/2}") rod.

316 Stainless Steel:

Flange: 88mm (3^{1/2}") electro polished 316 stainless steel.

Step Lens:

8mm extra clear, low iron, glass lens.
 Lifetime Warranty.

Gaskets:

Silicone, iron impregnated 220°C (428°F)

Mounting:

This fitting is designed to fit through a 72mm (2") holes and be fixed into position by two spring clips.

Luminaire Weight:

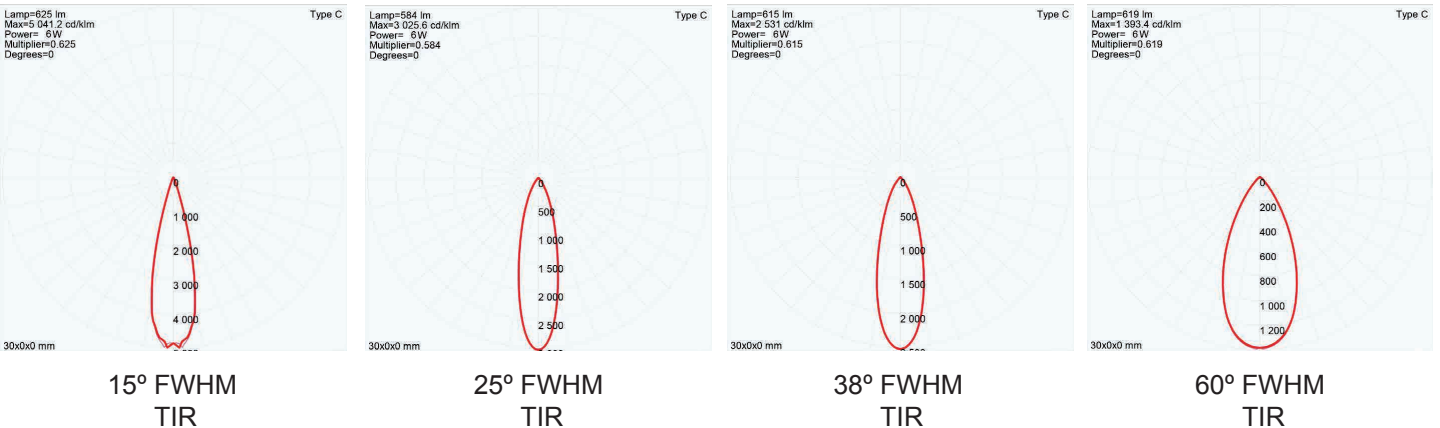
Low voltage
 Alum: 0.300kg (11oz)
 Cop: 0.800kg (1lb 12oz)
 SS: 0.750kg (1lb 10oz)

ACCESSORIES

BEAM ANGLES

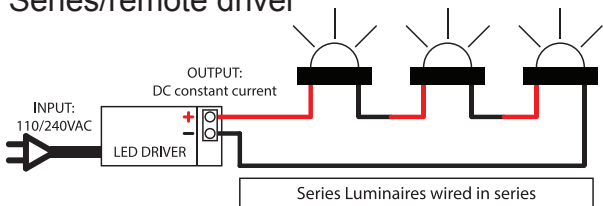
High efficiency PMMA TIR lenses. Field replaceable

IES files available for download: <http://www.hunzalighting.com/download.php>



WIRING GUIDE

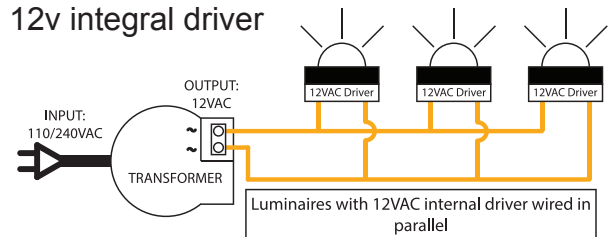
Series/remote driver



Diagrams are a guide only, wire colours and polarity may change depending on fixture and country

available for download: <http://www.hunzalighting.com/download.php>

12v integral driver



Specifications may change without notification

Aug 2017