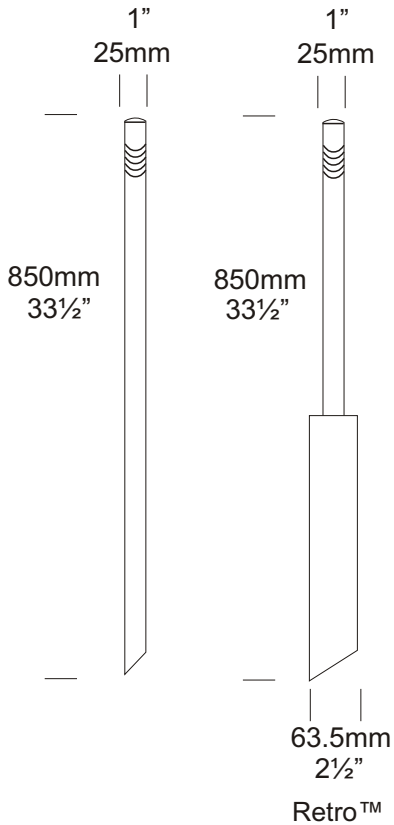


Twig Lite

Cat. No. TG

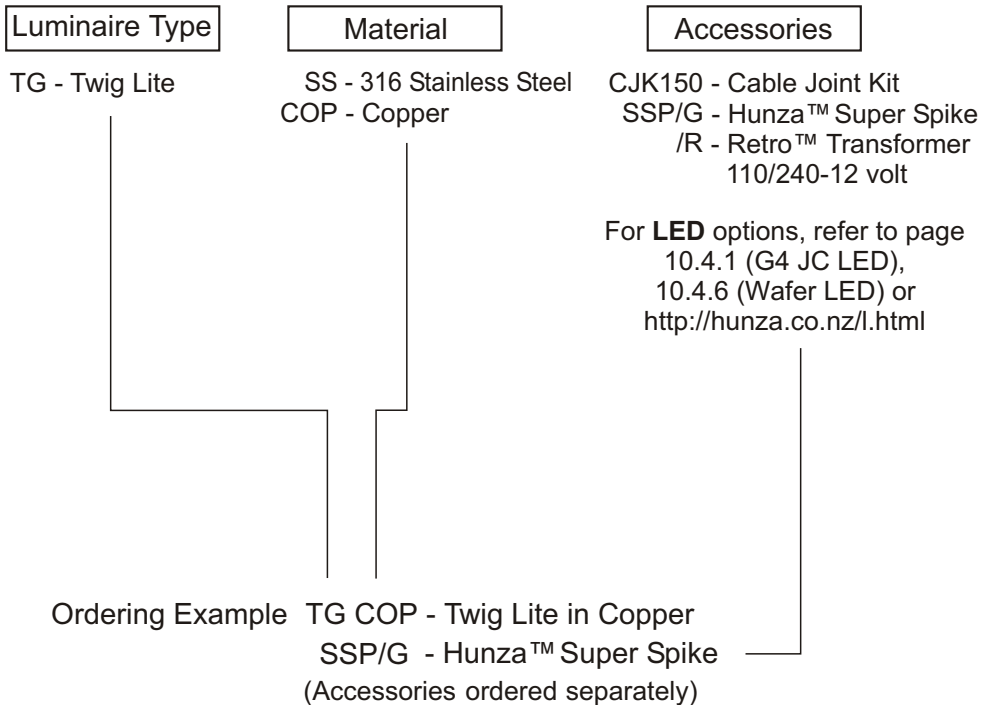
Cat. No. TG/R



The Twig Lite has a subtle appearance, which allows it to blend into taller foliage. The luminaire has a frosted glass lens to reduce glare and is operated with a 5, 10 or 20 watt G4 bi-pin halogen lamp.

The Retro™, which is a mains option, avoids the need to bury a transformer. The 110/240-12 volt electronic transformer is built into the pole and is a double insulated safety isolating transformer. The transformer has an IP56 rating.

Ordering Information



HUNZA™ PURE OUTDOOR LIGHTING

HUNZA FACTORY
130 Felton Mathew Ave
Glen Innes
Auckland 1072
New Zealand

Ph: 64-9-528 9471
Fax: 64-9-528 9361
hunza@hunza.co.nz
www.hunza.co.nz

INTERNATIONAL CONTACTS:
www.hunza.co.nz/contacts.php

Specifications may change without notice.
Manufactured in New Zealand.
© 2011 Hunza Holdings Ltd.

Ver 1.4

Luminaire Construction

CNC machined from one of the following metals:

Copper 25.4mm (1") x 850mm (33½").
End cap - solid copper 25.4mm (1") rod.

316 Stainless Steel: 25.4mm (1") x 850mm (33½").
End cap - solid 316 stainless steel 25.4mm (1") rod.

Retro™:

Pole - copper 25.4mm (1") x 410mm (16") tube.

Transformer Pole 63.5mm (2½") x 440mm (17½").

Mounting

Pole 850mm (33½") directly mounted into the earth or for extra stability in sand or loose ground use a Hunza™ Super Spike. Retro™ set in concrete.

Features

Lens:

22mm (¾") frosted glass tube.

Gaskets:

Nytril 150° (302°f)

Lamp Holder:

G4 - 350°C (662°f) ceramic multi contact lamp holder with 250°C (480°f) teflon cables.

Accessories:

Cable Joint Kit (Cat. CJK150).
Not approved for USA /Canada.

Hunza™ Super Spike - (Cat. SSP/G). Not for Retro™.

Retro™ transformer 110/240-12 volt (Cat. /R) IP56.

Standards

IP44  UL1838

Luminaire Weight

12 volt .800kg (1lb 12oz)
Retro™ 1.98kg (4lb 5oz)

Power Supply

HUNZA™ Inground or Wall Mount Transformer:
not included.

RETRO™

HUNZA™ 110/240-12 volt ac silicone encapsulated electronic transformer built into the pole, IP56. Dimmable with a suitable dimmer.

USA and Canada:

HUNZA™ Wall Mount Transformer: not included.

Luminaire: supplied with

G4 Bi-Pin 5, 10, 20 watt lamp max.
Retro™ G4 Bi-Pin 10, 20 watt max.

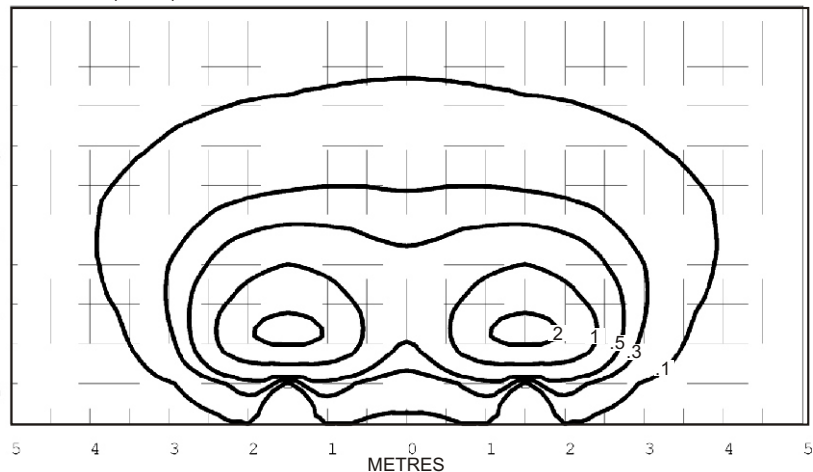
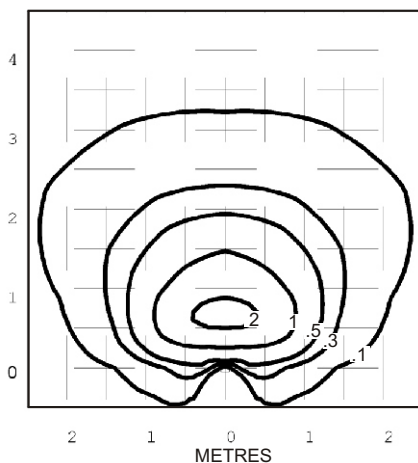
LED - Refer to previous page.

USA and Canada:

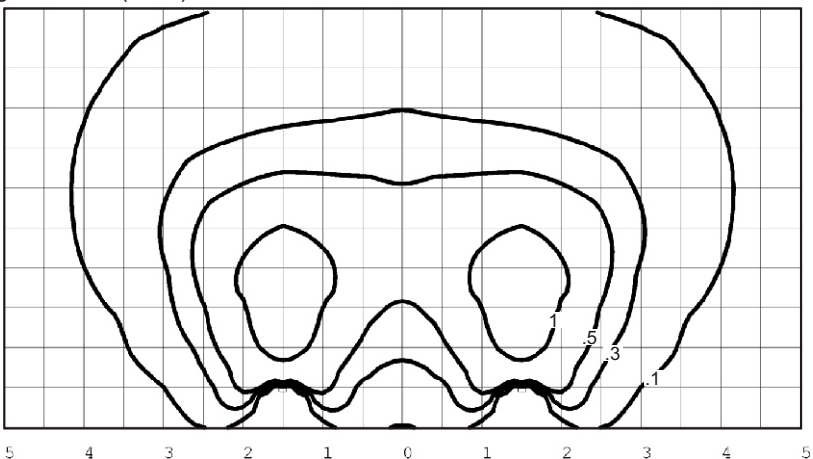
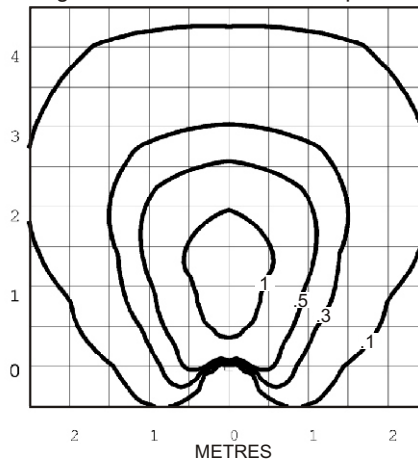
G4 Bi-Pin 5, 10 watt lamp max.

LED - Refer to previous page.

Twig Lite G4 10 watt Bi-Pin lamp - Lens height 700mm (27½")



Twig Lite G4 20 watt Bi-Pin lamp - Lens height 700mm (27½")



Isolux Lumens Plot - Footcandles = Isolux figures divided by 10.76

HUNZA™ PURE
OUTDOOR
LIGHTING

HUNZA FACTORY
130 Felton Mathew Ave
Glen Innes
Auckland 1072
New Zealand

Ph: 64-9-528 9471
Fax: 64-9-528 9361
hunza@hunza.co.nz
www.hunza.co.nz

INTERNATIONAL CONTACTS:
www.hunza.co.nz/contacts.php

Specifications may change without notice.
Manufactured in New Zealand.
© 2011 Hunza Holdings Ltd.

Ver 1.4