

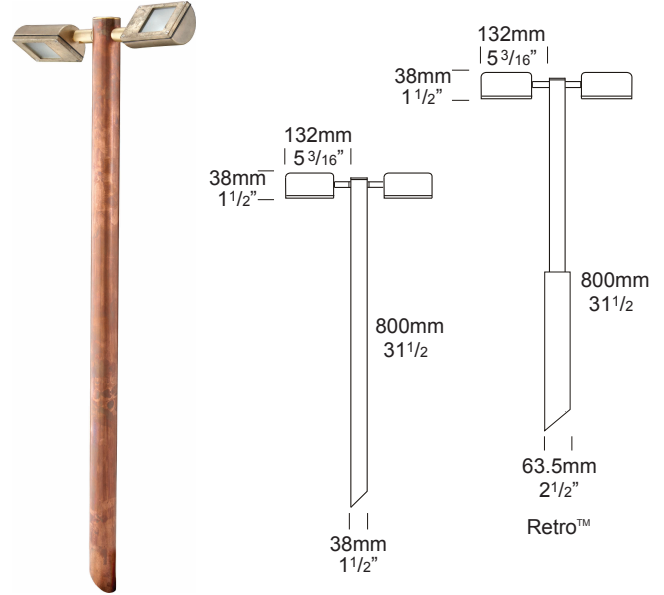
## Twin Border Lite

PROJECT:
TYPE:
SOURCE:
NOTES:

### PURELED SPECIFICATIONS PER HEAD

<b>LED Chip</b>	Cree XPG-3 Plug and Play field replaceable LED board
<b>Luminaire Output Per Head</b>	120 Lumens @ 700mA (2 watts), delivered from luminaire with unobstructed beam.
<b>Lumens Per Watt</b>	60 Lumens minimum @ 2 watts, delivered from luminaire with unobstructed beam.
<b>CRI (3000K)</b>	85+ Standard, 90+ Optional
<b>Colour Temperatures</b>	2700K, 3000K, 4000K
<b>Beam Angles</b>	100 degrees
<b>Ingress Protection</b>	IP56/IP66

<b>Warranty</b>	Electronics = 5 years Body Cop/SS = 10 years Body Aluminium = 5 years
<b>Standards</b>	AS/NZS 61046 cUL 1838, 2108 CSA C22.2 No.250.7, No.250.0-08 CE



### PRODUCT CONFIGURATION

Please fill in appropriate codes into boxes provided

Cat. No. BLT/L

Luminaire	Power	Material/ Finish	Beam	Colour	Accessories
<input type="text" value="BLT/L"/>	<input type="text"/>	<input type="text"/>	<input type="text"/>	<input type="text"/>	<input type="text"/>
<b>S</b> SERIES, REMOTE DRIVER <b>D3</b> 12VAC, 1W INTEGRAL <b>D7</b> 12VAC, 3W INTEGRAL <b>R</b> RETRO, 110/240V DRIVER		<b>ALUMINIUM</b> <b>EBK</b> BLACK <b>EBZ</b> BRONZE <b>EOGR</b> OLIVE GREEN <b>EWH</b> WHITE <b>EWB</b> WHITE BIRCH <b>EDG</b> DARK GREY <b>ESTAR</b> SILVER STAR <b>ECT</b> CORTEN <b>COP</b> SOLID COPPER <b>SBZ</b> SOLID BRONZE	100 100°	<b>2</b> 2700K <b>3</b> 3000K <b>4</b> 4000K <b>39</b> 3000K, 90+ CRI	<b>FM</b> FLANGE MOUNT <b>LENSBLC</b> CLEAR LENS <b>CJK</b> CABLE JOINT KIT

**SERIES, REMOTE DRIVER REQUIRED:**  
Constant current driver  
Individual fixtures require 3vdc @ 700mA maximum

**12VAC INTEGRAL DRIVER:**  
Hunza Buckbullet driver (included)  
Input: 12VAC, 6 watt total  
Output: 3vdc @ D3=350mA, D7=700mA

**110/240VAC RETRO DRIVER:**  
Input: 120/240vac, 6 watt total (included)  
Output: 6vdc, 700mA  
0-10 volt dimming  
(USA - non dimming)

**OTHER LAMP OPTIONS:**  
BLT/H - G4 Halogen 12V Lamp  
BLT/GL - G4 LED Retrofit 12V Lamp (lamps vary by market - please refer to supplier for details)

**Please click for Remote Power Supply Guidance Charts:**  
[USA \(page H\)](#)  
[Rest of the World \(page H\)](#)

[Click here for halogen specification sheet](#)

# LUMINAIRE CONSTRUCTION

## CNC machined from one of the following metals:

### Aluminium

Head: virgin high corrosion resistant CC401 low copper aluminium alloy, with chromate substrate and high UV resistant polyester powder coat.

Pole: aluminium 38mm (1½") tube.

### Colours:

Black, Bronze, Silver Star, White, White Birch, Olive Green, Dark Grey, Corten.

### Copper/Solid Bronze

Head: cast from LG2 bronze.

Pole: solid copper 38mm (1½") tube.

### 316 Stainless Steel

Head: cast from 316 stainless steel.

Pole: stainless steel 38mm (1½") tube.

### Knuckles:

Aluminium and Copper luminaires - 360° rotation and 0-90° elevation, solid brass with anti rust spring.

Stainless Steel luminaires - 360° rotation and 0-90° elevation, full stainless steel construction.

### Lens:

3mm frosted shatter resistant glass. Lifetime Warranty.

### Gaskets:

Silicone, 220°C (428°F).

### Mounting

The pole 800mm (31½") is directly mounted into the earth or concrete.

Flange Mount option is available for hard surfaces.

### Luminaire Weight:

Low voltage

Alum: 1.100kg (2lb 6oz)

Cop/SBZ: 2.700kg (5lb 15oz)

SS: 2.400kg (5lb 4oz)

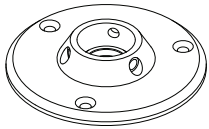
Retro™

Alum: 2.400kg (5lb 4oz)

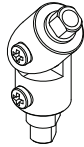
Cop/SBZ: 4.200kg (9lb 4oz)

SS: 3.700kg (8lb 2oz)

## ACCESSORIES



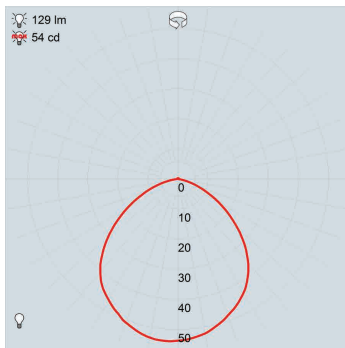
Flange Mount  
FM38 for low voltage  
FM90 for Retro



Locking Knuckle

## BEAM ANGLES

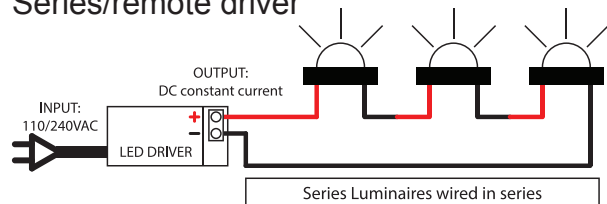
IES files available for download: <http://www.hunzaligning.com/download.php>



FWHM  
frosted lens

## WIRING GUIDE

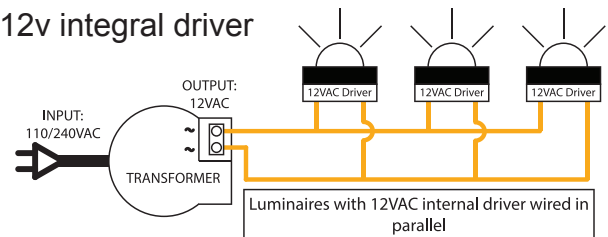
### Series/remote driver



Diagrams are a guide only, wire colours and polarity may change depending on fixture and country

available for download: <http://www.hunzaligning.com/download.php>

### 12v integral driver



Specifications may change without notification

Aug 2017