

Twin Pole Lite

PROJECT:

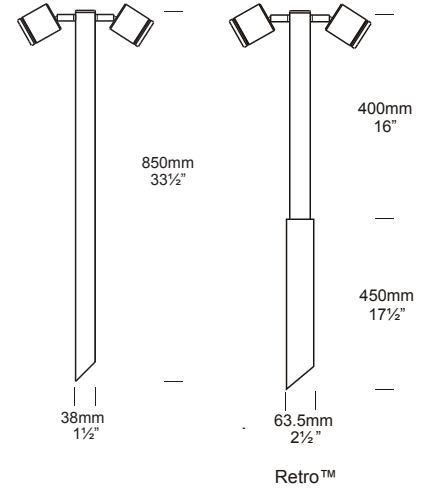
TYPE:

SOURCE:

NOTES:

PURELED SPECIFICATIONS PER HEAD

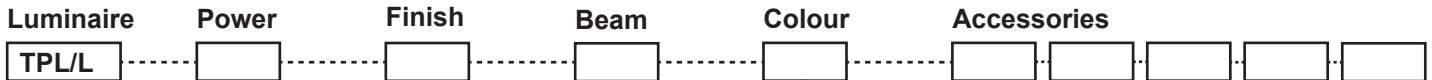
LED Chip	Cree XHP-50-2 Plug and Play field replaceable LED board
Luminaire Output Per Head	600 Lumens @ 1050mA (6 watts), 420 Lumens @ 700mA (4 watts), 240 Lumens @ 350mA (2 watts), delivered from luminaire with unobstructed beam.
Lumens Per Watt	100 Lumens minimum @ 6 watts, delivered from luminaire with unobstructed beam
CRI (3000K)	85+ Standard, 90+ Optional
Colour Temperatures	2700K, 3000K, 4000K
Beam Angles	15, 25, 38, 60
Ingress Protection	IP56/IP66
Warranty	Electronics = 5 years Body Cop/ SS = 10 years Body Aluminium = 5 years
Standards	AS/NZS 61046 cUL 1838, 2108 CSA C22.2 No.250.7, No.250.0-08 CE



PRODUCT CONFIGURATION

Please fill in appropriate codes into boxes provided

Cat. No. TPL/L



- S SERIES, REMOTE DRIVER
- D3 12VAC, 2W INTEGRAL
- D7 12VAC, 4W INTEGRAL
- D10 12VAC, 6W INTEGRAL
- R RETRO, 110/240V DRIVER

- ALUMINIUM**
- EBK BLACK
 - EBZ BRONZE
 - EOGR OLIVE GREEN
 - EWH WHITE
 - EWB WHITE BIRCH
 - EDG DARK GREY
 - ESTAR SILVER STAR
 - ECT CORTEN
 - COP SOLID COPPER
 - SS STAINLESS STEEL

- 15 15°
- 25 25°
- 38 38°
- 60 60°

- 2 2700K
- 3 3000K
- 4 4000K
- 39 3000K, 90+ CRI

- HCL HEX CELL LOUVRE
- SNT SNOOT
- GG GLARE GUARD
- LF FROSTED LENS
- FM FLANGE MOUNT
- LKN LOCKING KNUCKLE
- CJK CABLE JOINT KIT

SERIES, REMOTE DRIVER REQUIRED:
Constant current driver
Individual fixtures require 6vdc @ 1050mA maximum

12VAC INTEGRAL DRIVER:
Hunza integrated plug and play driver (included)
Input: 9-15VAC, 14watt total
Output: 6vdc @ D3=350mA, D7=700mA, D10=1050mA (1050mA limited to ≤ 40°C (104°F) ambient temperature in stainless steel)

110/240VAC RETRO DRIVER:
Input: 120/240vac, 10watt total (included)
Output: 6vdc, 700mA
0-10 volt dimming (USA - non dimming)

OTHER LAMP OPTIONS:

- TPL/H - MR16 Halogen 12V Lamp
- TPL/SL - MR16 LED Retrofit 12V Lamp (lamps vary by market - please refer to supplier for details)
- TPL/GUH - GU10 120/240V Halogen Lamp (body length increases for all GU10 lamps)
- TPL/GUSL - GU10 LED Retrofit 120/240V Lamp (lamps vary by market - please refer to supplier for details)

Please click for Remote Power Supply Guidance Charts:

- [USA \(page 1\)](#)
- [Rest of the World \(page 1\)](#)

[Click here for halogen specification sheet](#)

LUMINAIRE CONSTRUCTION

CNC machined from one of the following metals:

Aluminium

Body: solid high corrosion resistant 63.5mm (2^{1/2"}) x 10mm (3/8") aluminium.
 End cap: solid aluminium 63.5mm (2^{1/2"}) rod, with chromate substrate and high UV resistant polyester powder coat.
 Pole: solid aluminium 38mm (1^{1/2"}) tube.
 Colours:
 Black, Bronze, Silver Star, White, White Birch, Olive Green, Dark Grey, Corten.

Copper

Body: 63.5mm (2^{1/2"}) x 10mm (3/8").
 End cap: solid copper 63.5mm (2^{1/2"}) rod.
 Pole: solid 38mm (1^{1/2"}) tube.

316 Stainless Steel

Body: 63.5mm (2^{1/2"}) x 10mm (3/8").
 End cap: solid 316 stainless steel 63.5 (2^{1/2"})
 Pole: 316 stainless steel 38mm (1^{1/2"}) tube.

Knuckles:

Aluminium and Copper luminaires - 360° rotation and 0-90° elevation, solid brass with anti rust spring.
 Stainless Steel luminaires - 360° rotation and 0-90° elevation, full stainless steel construction.

Step Lens:

10mm (3/8") Extra clear, low iron, shatter resistant glass.
 Lifetime warranty.

Gaskets:

Silicone, iron impregnated 220°C (428°F)

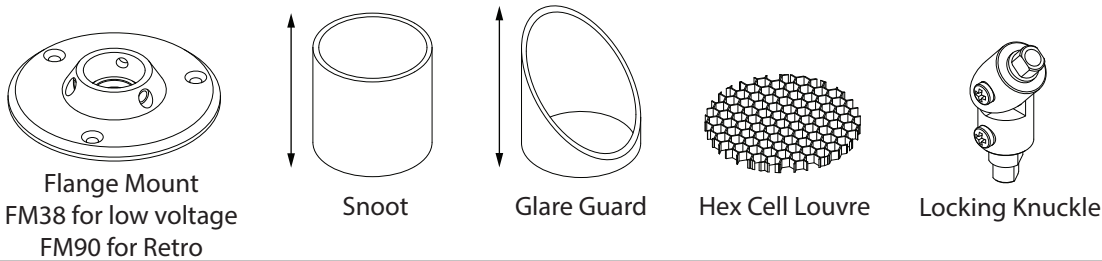
Mounting

The pole 800mm (31^{1/2"}) is directly mounted into the earth or concrete.
 Flange Mount option is available for hard surfaces.

Luminaire Weight:

Low voltage
 Alum: 1.200kg (2lb 10oz)
 Cop: 3.500kg (7lb 11oz)
 SS: 2.800kg (6lb 3oz)
 Retro™
 Alum: 2.300kg (5lb 1oz)
 Cop: 4.300kg (9lb 8oz)
 SS: 3.600kg (7lb 15oz)

ACCESSORIES



Flange Mount
 FM38 for low voltage
 FM90 for Retro

Snoot

Glare Guard

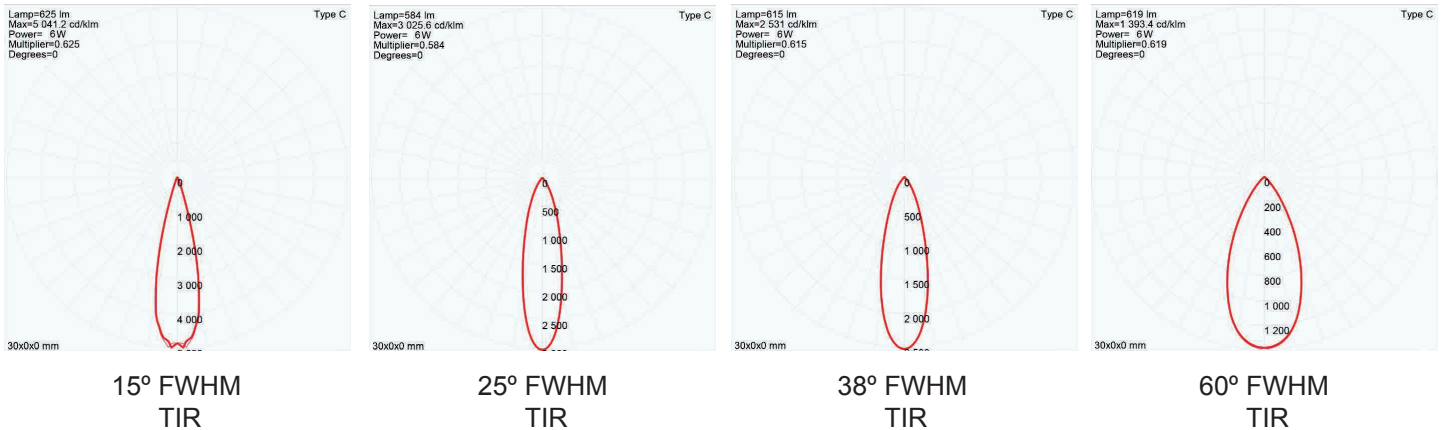
Hex Cell Louvre

Locking Knuckle

BEAM ANGLES

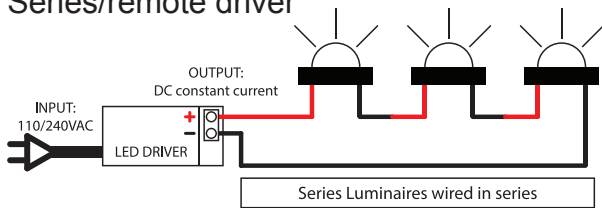
High efficiency PMMA TIR lenses. Field replaceable

IES files available for download: <http://www.hunzalighting.com/download.php>



WIRING GUIDE

Series/remote driver

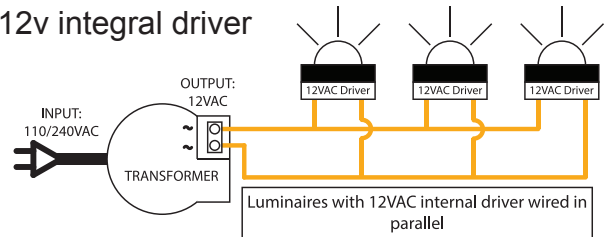


Series Luminaires wired in series

Diagrams are a guide only, wire colours and polarity may change depending on fixture and country

available for download: <http://www.hunzalighting.com/download.php>

12v integral driver



Luminaires with 12VAC internal driver wired in parallel