

Spot Light with Bracket / Spot Light with Weighted Base

INSTALLATION INSTRUCTIONS

IMPORTANT! TO MEET HUNZA'S BLACK LABEL WARRANTY,* PLEASE READ BEFORE INSTALLING THE FIXTURE. PLEASE NOTE: THESE INSTRUCTIONS MUST NOT CONTRAVENE YOUR LOCAL ELECTRICAL AUTHORITY REGULATIONS, WITH WHICH ALL INSTRUCTIONS HEREIN MUST COMPLY. PLEASE KEEP INSTRUCTIONS FOR FUTURE REFERENCE.

WARNING: DO NOT connect the secondary side (output) of a live driver to the fixture, this will cause a spike in voltage that can damage the LED. When connecting or disconnecting the fitting always insure the 120/240V power supply is disconnected.

WARNING: When using a photocell and/or timer we recommend using devices with relay outputs as opposed to electronic. The high frequency of electronic devices can lead to failure of the LED driver.

WARNING: If the mounting surface is to be "acid washed" the fixtures must be removed prior to the process to avoid damage to the fixture and its fittings.

WATERPROOFING FIXTURES: Ensure the fixture is fixed in place and ensure a waterproof seal is made between the fixture and surface. Ensure that installation on exteriors meets local authority regulations.

WATERPROOFING CONNECTIONS: Make sure to waterproof connections to the luminaire, input cables and/or dimming cable. A non waterproof connection will allow water to ingress into the power supply and/or fixture head which can lead to failure.

*T&C's apply. See website for details: hunzalighting.com/warranty

Installation Guide

Step 1: Mount the Luminaire

- Select an appropriate position and surface to install the luminaire.
- **FOR THE SPOT LIGHT WITH BRACKET**, drill a hole where desired and then fix the light with a wall plug and screw in the bottom of the bracket. Ensure the luminaire is mounted to a suitable substrate.
- **THE WEIGHTED BASE SPOT LIGHT** has been designed to be placed where needed without any drilling necessary.

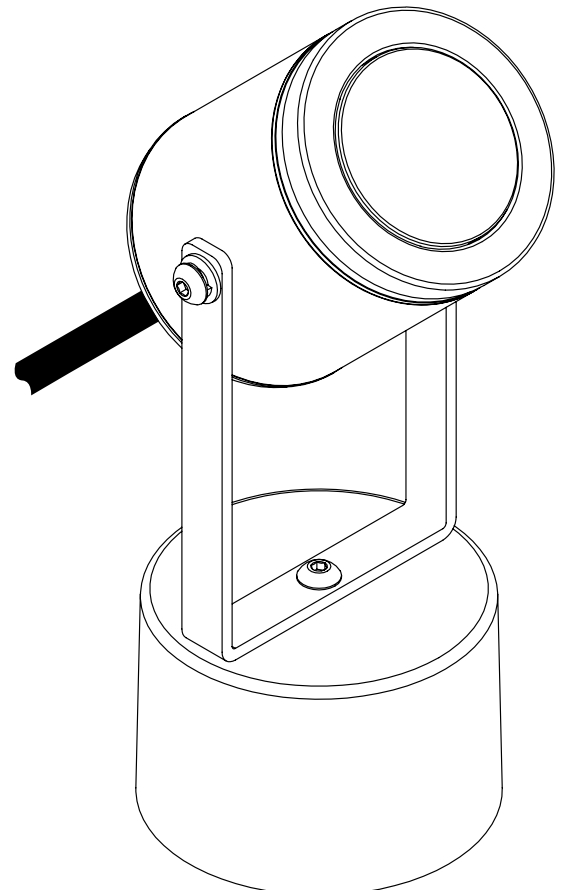
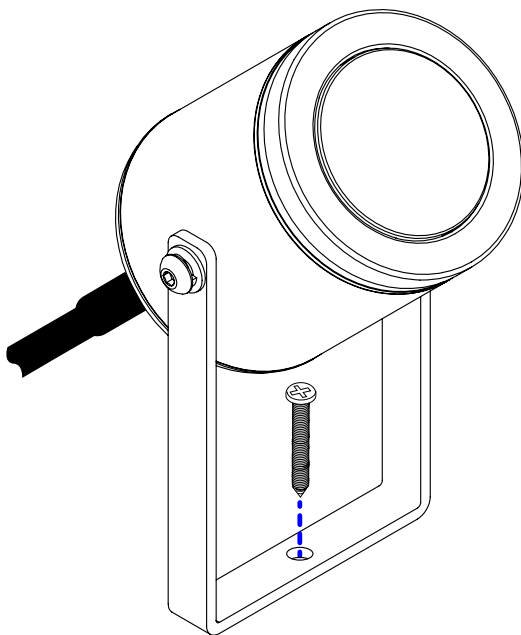
IMPORTANT: Please DO NOT SUBMERSE in a pond or pool.

Step 2: Make Wire Connections

- Make waterproof connections, please refer to wiring guide.
- **IMPORTANT:** For 110/240V (Retro) connections the fixture must be grounded.

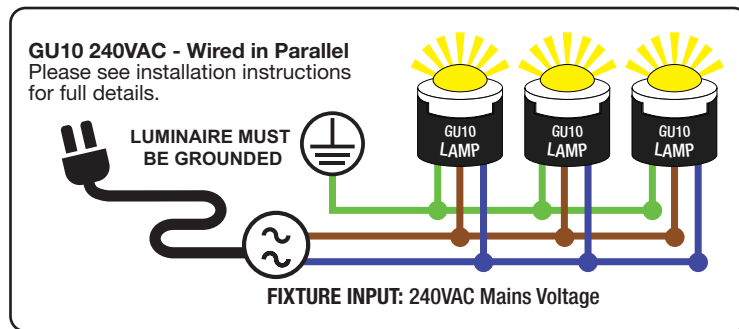
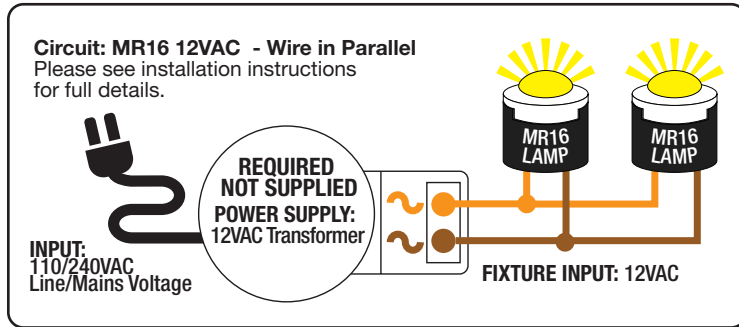
Step 3: Install Glare Guard/Snoot (Optional)

- Carefully remove lens ring making sure not to drop the glass lens and cause damage to it, keeping gasket in place.
- Hold the body of luminaire tightly and screw Glare Guard/Snoot ring onto luminaire.
- Still holding the body of the luminaire tightly rotate Glare Guard/Snoot to desired position.



Wiring Guide

Make water proof connections using heavy walled adhesive lined heat shrink (refer to wiring guide below). Recommendations: Run all low voltage cables in flexible conduit for extra protection. Use Hunza Cable Joint Kit CJK15.0 Heavy Duty Cable Boots are available for additional ingress protection.



RETRO-FIT PLUGIN LAMP REPLACEMENT

CAUTION: Make sure that the power to the luminaire is switched off before attempting to change the lamp. Beware of hot luminaire and lamp. Make absolutely sure when changing lamps that the correct wattage lamp is installed. Incorrect wattage lamps may cause HUNZA™ transformers to overload causing them to heat up and turn the luminaires off.

LAMP CHANGING SEQUENCE (GU10/MR16): Only use recommended Hunza plugin LED lamps. Unscrew lens ring, remove gasket and lens. Pull lamp forward until the ceramic lamp holder appears. Hold lamp holder in one hand and remove lamp with other hand very carefully. Do not touch the glass capsule in the middle of the reflector when pushing the lamp back into the ceramic lamp holder. When replacing gasket and lens, make sure there is no dirt or grit on the gasket. Dirt or grit on the gasket may cause luminaire to leak.

INCANDESCENT, HALOGEN AND LED LAMP DISPOSAL: Please contact your local authorities for information on the disposal to ensure they are disposed of correctly.

MATERIAL MAINTENANCE

DO NOT USE BLEACH, concentrated cleaners, or solvents under any circumstances. DO NOT water blast/pressure blast fixtures. DO NOT USE ABRASIVE COMPOUNDS.

POWDER-COATED ALUMINIUM: To keep your powdercoated aluminium fixtures in the best condition, please clean by wiping gently with a damp, soft cloth or chamois and window cleaner. Do not use metal polishing compounds like Brasso1, Autosol2 etc. To restore the lustre of the paint finish, use a silicon spray.

Powdercoated aluminium fixtures are not recommended for installation near the sea or close to salt water.

CAST BRONZE, COPPER AND BRASS will age naturally and will patina over time, it is not necessary to clean copper frequently. When they do require cleaning, wipe them with a damp cloth. DO NOT use polishing compounds.

FOR 316 MARINE GRADE STAINLESS STEEL LUMINARIES: To maintain the finish of 316 stainless steel it is recommended to wash the luminaire with fresh water from time to time to stop salt and corrosive elements building up. For extra protection, we recommend applying a thin film of CLEAR SILICON GREASE (Moreys© Crystal Clear Food Machinery MP2 Grease) to the exterior of fixture between maintenance.

ELECTRO POLISHES still require regular maintenance. Even an electro polished stainless steel fixture under an eave or roof will suffer from the build up of salt deposits as it will not be washed away by rain.

HUNZA™ BLACK LABEL WARRANTY

When you purchase or specify a Hunza™ luminaire, you get the benefit of the legendary Hunza™ reputation for high quality and long life. We back this up with our Black Label extended warranty, offering up to 25 years on body components and 5 years on the integral PURE LED™ system. When installed and maintained properly, Hunza™ luminaires will last a lifetime so we keep serviceability firmly in mind when designing the components and system construction.

Hunza™ 25 Year Warranty All Hunza™ Cast Bronze luminaires have a 25 year replacement warranty against body corrosion, subject to the standard conditions listed below.

Hunza™ 10 Year Warranty Hunza™ stainless steel* and copper luminaires have a 10 year replacement warranty on body components, subject to the standard conditions listed below (*excludes underwater fixtures).

Hunza™ 5 Year Warranty All Hunza™ aluminium luminaires with a UV stable powder-coat finish and underwater fixtures have a 5 year replacement warranty on body components, subject to the standard conditions listed below.

Hunza™ Lifetime Warranty All glass lenses supplied with Hunza™ luminaires have a lifetime warranty.

Hunza™ PURE LED™ System Integral PURE LED components have a 5 year warranty and are subject to the standard conditions listed below.

Other Hunza™ Components 5 year warranty on other Hunza™ components, Hunza™ accessories and are subject to the standard conditions listed below.

Third Party Components Coverage on plug-in (drop-in) LED lamps, power supplies and other 3rd-party components are limited to the manufacturer's warranty.

STANDARD CONDITIONS:

1. Warranty is subject to proof of purchase being provided and begins at the date of invoicing from the factory.

- All Hunza™ luminaires must be installed according to the installation instructions supplied with the luminaires by a certificated electrician. The installer is solely responsible for determining the correct wiring of series or parallel luminaires.
- All connections within the electrical system must be waterproof.
- The environment in which the fixture is to be installed must be considered carefully when selecting the finish. Solid Bronze, Copper or Stainless Steel luminaires are recommended for high-risk environments such as near salt water or salt laden air. Aluminium luminaires may not be covered by the full warranty in these situations.
- Bronze, Copper and Aluminium fixtures are not recommended for installation in areas high in geothermal activity. Warranty is not offered for these materials in geothermal areas.
- For aluminium fixtures, warranty on the powder coat finish is excluded for failure due to exposure to: chemical substances in the ground, fertilizers and water containing corrosive agents.
- Stainless Steel requires regular cleaning with fresh water when installed in high salinity environments. (Refer to instructions supplied with luminaire). The warranty does not cover tea staining or surface pitting caused by inadequate maintenance procedures.
- Hunza™ underwater fixtures are not covered by warranty in situations where there are chemical imbalances in the water.
- Warranty is excluded for corrosion due to electrolytic reactions caused by the presence of electrical current in the ground or water.
- Warranty excludes impact damage (except for glass lenses), incorrect installation and incorrect re-assembly.
- Fixtures must be kept properly maintained, including replacement of gaskets and lenses when necessary and use of approved wattage lamps.
- Fixtures must not be pressure washed (water blasted). Please refer to IP ratings of each fixture.

- Hunza™, at its discretion, may replace components to remedy the fault or supply a replacement fixture.
- Hunza™ warranty is limited to the repair or replacement of products ONLY. Labour charges will not be accepted.
- Warranty on transformers is limited to 5 years, and applies only when transformers are installed in environments at less than 40 degrees Celsius ambient temperature.
- Hunza™ will not be liable for any labour charges for any repair or replacement of defective drivers. Drivers have their own manufacturer warranty and any faults will be at the responsibility of the manufacturer.
- Hunza™ reserves the right to limit liability on non-standard (custom designed) luminaires and/or delivery arrangements.
- Damage caused by lightning strikes, high voltage spikes or incorrect polarity connection is not covered by the Black Label warranty.
- Polycarbonate and acrylic lenses are limited to a 5 year warranty.
- N.B. Acrylic Quartz, Cloak, TIR or Bollard lenses must NOT be cleaned with any petrochemical substance. This will void the warranty.
- Warranty excludes halogen lamps and lamp holders, which are consumable items.
- Use of 3rd party colour correction gels and filters will void the warranty if used with PureLED products.



Made in New Zealand
by Hunza™ Productions LTD

