

E-Lite

Cat. No. EAVE

Cat. No. EAVEGU

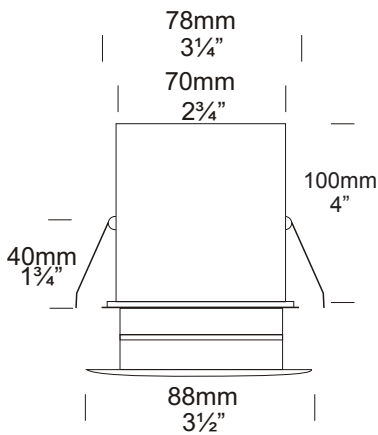


The Eave Lite is a recessed downlight ideal for installation in eaves, soffits, entrance ways, verandahs, carports or covered decks. It can also be used in bathrooms, kitchens or where moisture transfer or decibel rating is a minimum requirement.

This luminaire is machined from a choice of solid aluminium with a UV stable powder coated finish, solid copper or 316 stainless steel with a clear, tempered, flush glass lens and high temperature silicon gaskets. The 316 stainless steel Eave Lite is electro-polished to increase corrosion protection.

A GU10 version of this luminaire is also available for line voltage lamps.

Ordering Information



Luminaire Type

EAVE - Eave Lite
EAVEGU - Eave Lite GU10

Material

BK - Black
BZ - Bronze
CT - Corten
DG - Dark Grey
OG - Olive Green
STAR - Silver Star
WB - White Birch
WH - White
COP - Copper
SS - Stainless Steel

Accessories

LENSSTEPF - Frosted Lens

Ordering Example: EAVE COP - Eave Lite in Copper
EAVEGU COP - Eave Lite GU10 in Copper
LENSSTEPF - Frosted Lens
(Accessories ordered separately)

HUNZA™ PURE OUTDOOR LIGHTING

HUNZA FACTORY
130 Felton Mathew Ave
Glen Innes
Auckland 1072
New Zealand

Ph: 64-9-528 9471
Fax: 64-9-528 9361
hunza@hunza.co.nz
www.hunza.co.nz

INTERNATIONAL CONTACTS:
www.hunza.co.nz/contacts.php

Specifications may change without notice.
Manufactured in New Zealand.
© 2011 Hunza Holdings Ltd.

Ver 1.4

