

Floor Lite Dark Lighter

Cat. No. FLDK

Cat. No. FLDKGU

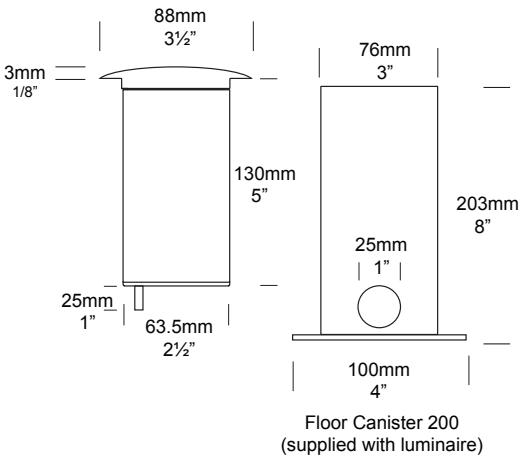


The Floor Lite Dark Lighter has a lamp that is recessed 50mm (2") down in the body of the luminaire, along with a hex cell louvre and a matte black interior, the luminaire has superior glare control. Like the standard Floor Lite, the Dark Lighter version has an extremely low profile (3mm) and can be walked upon without damaging the luminaire.

This luminaire is supplied with a canister.

A GU10 version of this luminaire is also available for line voltage lamps.

Ordering Information



Luminaire Type

FLDK - Floor Lite Dark Lighter
FLDKGU - Floor Lite Dark Lighter GU10

Material

COP - Copper
SS - Stainless Steel

Accessories

CJK150 - Cable Joint Kit
CAN200SS - Canister 200mm Stainless Steel
LENSSTEPF - Frosted Lens

Ordering Example: FLDK SS - Floor Lite Dark Lighter in Stainless Steel

FLDKGU COP - Floor Lite Dark Lighter GU10 in Copper

LENSSTEPF - Frosted Lens

HUNZA™ PURE OUTDOOR LIGHTING

HUNZA FACTORY 130
Felton Mathew Ave
Glen Innes
Auckland 1072
New Zealand

Ph: 64-9-528 9471 Fax:
64-9-528 9361
hunza@hunza.co.nz
www.hunzalighting.com

INTERNATIONAL CONTACTS:
www.hunzalighting.com/contact.php

Specifications may change without notice.
Manufactured in New Zealand.
© 2016 Hunza Holdings Ltd.

Ver 1.4

Luminaire Construction

CNC machined from one of the following materials

Copper

Body: 63.5mm (2") x 10mm (3/8")

copper tube.

End cap: 63.5mm (2") solid copper rod.

Flange: 90mm (3 1/2") solid copper rod.

316 Stainless Steel

Body: 63.5mm (2") x 10mm (3/8")

stainless steel tube.

End cap: 63.5mm (2") stainless steel

rod.

Flange: 90mm (3 1/2") stainless steel rod.

Mounting

The luminaire is pushed into the canister and is held in by two silicone "O" rings. Canister is cast into concrete, brick, tiles, etc.

Features

Lens

10mm (3/8") clear tempered shatter resistant glass.

Gasket

Silicone, iron impregnated 220°C (428°F)

Lamp Holders

MR16 & GU10 - 350°C (662°F) ceramic multi contact lamp holder with 250°C (480°F) Teflon cables.

Accessories

Cable Joint Kit (Cat. CJK150). Not approved for USA/Canada.

Stainless Steel Canister (Cat. CAN200SS).

Frosted Lens (Cat. LENSSTEPF).

Standards

EN60598, IP67, UL1838, 

Luminaire Weight

Copper - 2.000kg (2lb 10oz)

Stainless Steel - 1.630kg (4lb 7oz)

Power Supply

Hunza Inground or Wall Mount

Transformer: not included.

USA and Canada

Hunza Wall Mount Transformer: not included.

Lamp Options

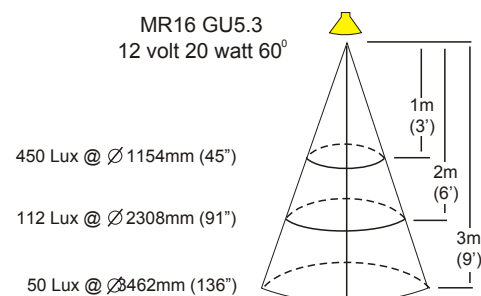
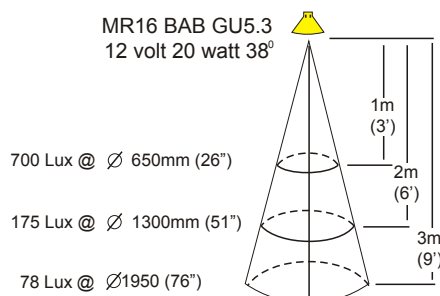
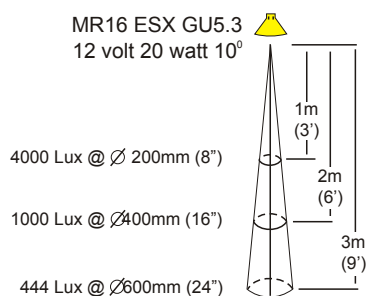
MR16 - 20, 35 or 50 watt lamp max.

GU10 - 10, 25 or 35 watt lamp max.

USA and Canada

MR16 - 20, 35 or 50 watt lamp max.

GU10 - lamp not supplied.



HUNZA™ PURE
OUTDOOR
LIGHTING

HUNZA FACTORY
130 Felton Mathew
Ave Glen Innes
Auckland 1072
New Zealand

Ph: 64-9-528 9471
Fax: 64-9-528 9361
hunza@hunza.co.nz
www.hunzalighting.com

INTERNATIONAL CONTACTS:
www.hunzalighting.com/contact.php

Specifications may change without notice.
Manufactured in New Zealand.
© 2016 Hunza Holdings Ltd.

Ver 1.4