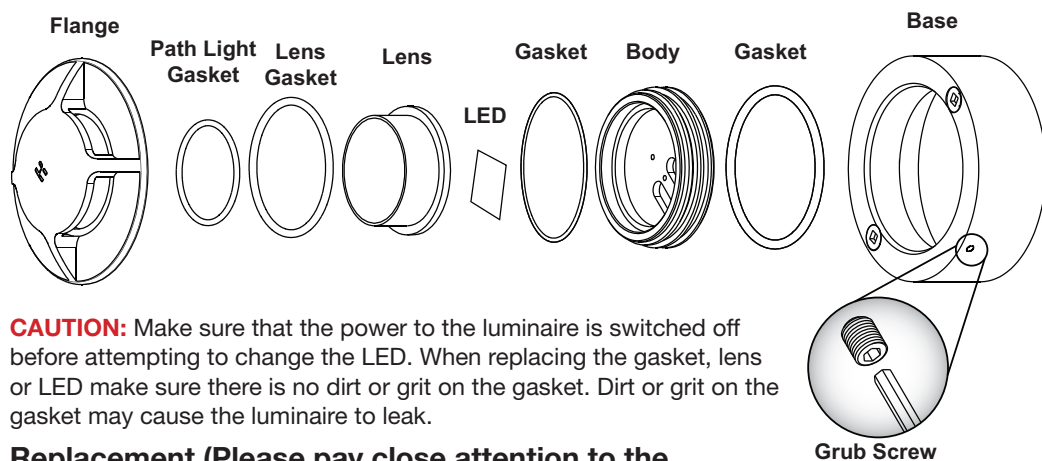


Component Replacement



CAUTION: Make sure that the power to the luminaire is switched off before attempting to change the LED. When replacing the gasket, lens or LED make sure there is no dirt or grit on the gasket. Dirt or grit on the gasket may cause the luminaire to leak.

Replacement (Please pay close attention to the component order):

Remove the grub screw from the base. Remove the luminaire body, unscrew the flange, remove the lens and gaskets (*for Path Lights, another gasket is required, which sits in the groove on top of the lens inside*). Unclip the LED from the wiring and unscrew.

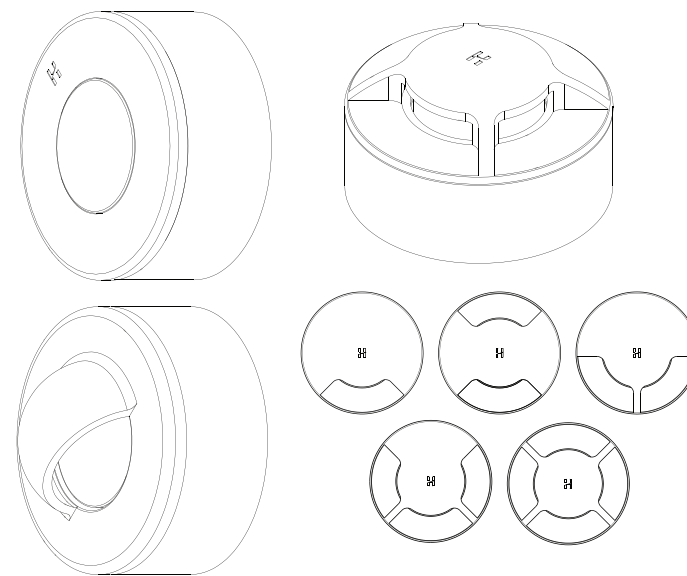
Reverse action to seal making sure components are replaced in the correct order. Incorrect order can lead to failure of LED and/or leaking.

DO NOT over tighten flange as this will make removal difficult and may cause the LED or lens to break.

HUNZA™
PURE OUTDOOR LIGHTING

Surface Mount: Round | Eyelid | Path Light
INSTALLATION INSTRUCTIONS

USA



IMPORTANT! TO MEET HUNZA'S BLACK LABEL WARRANTY, PLEASE READ BEFORE INSTALLING THE FIXTURE.

PLEASE NOTE: THESE INSTRUCTIONS MUST NOT CONTRAVENE YOUR LOCAL ELECTRICAL AUTHORITY REGULATIONS, WITH WHICH ALL INSTRUCTIONS HEREIN MUST COMPLY. PLEASE KEEP INSTRUCTIONS FOR FUTURE REFERENCE.

WARNING: DO NOT connect the secondary side (output) of a live driver to the fixture, this will cause a spike in voltage that can damage the LED. When connecting or disconnecting the fitting always ensure the 120/240V power supply is disconnected.

WARNING: When using a photocell and/or timer we recommend using devices with relay outputs as opposed to electronic. The high frequency of electronic devices can lead to failure of the LED driver.

WARNING: If the mounting surface is to be "acid washed" the fixtures must be removed prior to the process to avoid damage to the fixture and its fittings.

WATERPROOFING FIXTURES: Ensure the fixture is fixed in place and ensure a waterproof seal is made between the fixture and surface. Ensure that installation on exteriors meets local authority regulations.

WATERPROOFING CONNECTIONS:

Make sure to waterproof connections to the luminaire, input cables and/or dimming cable. A NON WATERPROOF CONNECTION WILL ALLOW WATER INGRESS INTO POWER SUPPLY AND/OR FIXTURE HEAD WHICH CAN LEAD TO FAILURE.

NOTE: NOT SUITABLE FOR DRIVING OVER APPLICATION.



*T&C's apply. See website for details:
hunzalighting.com/warranty

HUNZA™
PURE OUTDOOR LIGHTING

HUNZA LIGHTING LTD

130 Felton Mathew Ave
Saint Johns
Auckland 1072
New Zealand

Ph: +64-9-528 9471

Fax: +64-9-528 9471

E: hunza@hunza.co.nz

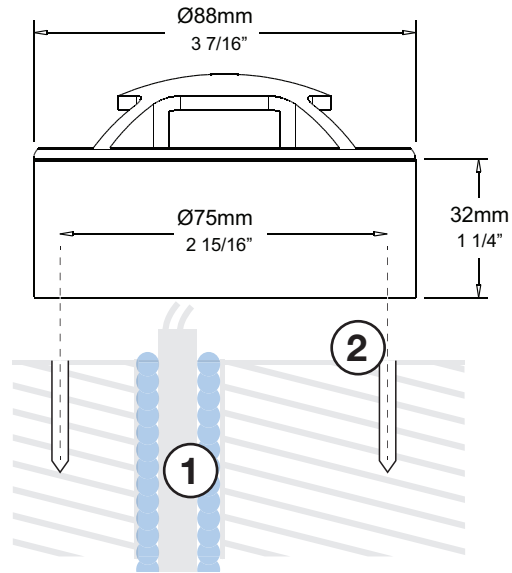
This document contains proprietary information of Hunza™. Its receipt or possession does not convey any rights to reproduce or disclose its content.



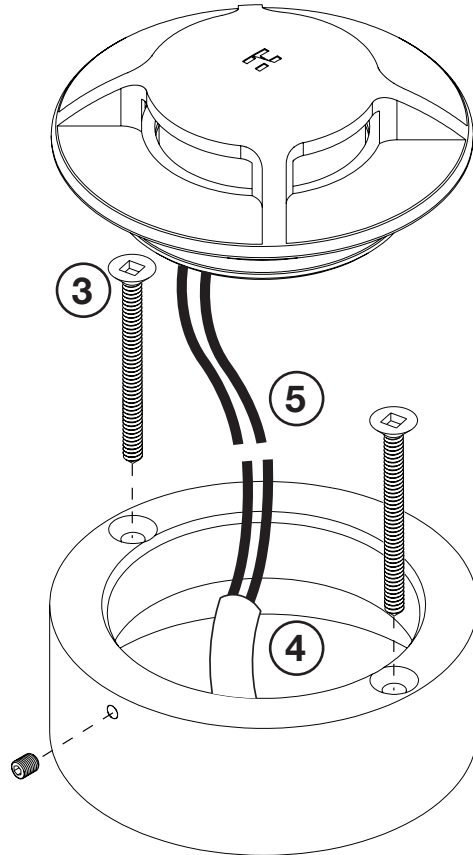
Hunza™ fixtures are available from specialist outdoor lighting distributors. Specifications, Installation, IES, CAD & Guides are available online:

www.hunzalighting.com

Installation



1. Drill a hole into your surface (deep enough to house sufficient cable and/or drivers to facilitate LED changing).
2. Drill two mounting holes at 75mm (2 15/16") centres.
3. Mount the base to the surface with the two screws provided.
4. Run the low voltage cable from the transformer/driver (if the driver is to be buried - installation of the driver must be carried out by a licensed electrician to meet local Electrical Authority Regulations).
5. Make waterproof connections using heavy-walled adhesive lined heat shrink (Refer to wiring guide).
6. Coil up a small amount of cable behind the fitting to allow it to be removed for LED changing.
7. Insert the fixture into the base and turn anticlockwise until fixture is positioned in the desired orientation.
8. Lock with a 3mm Grub Screw into place.



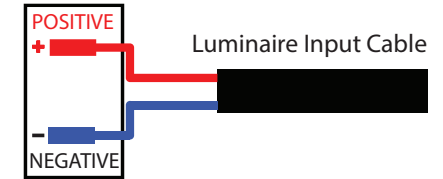
Wiring Guide

Make waterproof connections using heavy-walled adhesive lined heat shrink.

REMOTE DRIVEN CONNECTIONS

Make input connections according to diagram below.

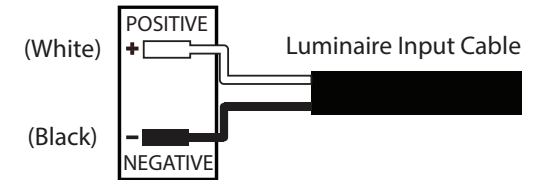
DRIVER OUTPUT: (Red)
CONSTANT
VOLTAGE
Max, 3VDC



INTEGRAL DRIVER CONNECTIONS

Make input connections according to diagram below.

TRANSFORMER OUTPUT: (White)
CONSTANT
VOLTAGE
Max, 12VAC



Recommendations: Run all low voltage cables in flexible conduit. For extra protection, use Hunza Cable Joint Kit CJK#15. Heavy Duty Cable Boots available for additional ingress protection.

Material Maintenance

DO NOT use bleach, concentrated cleaners, or solvents under any circumstances.

DO NOT water blast/pressure blast fixtures

DO NOT use abrasive compounds.

316 Stainless Steel: To maintain the finish of 316 stainless steel it is recommended to wash the luminaire with fresh water from time to time to stop salt and corrosive elements building up. If tea staining appears, a commercially available stainless steel cleaner is recommended to remove this.

316 Stainless Steel with Electro Polishes still require regular maintenance and washing with fresh water. Even an electro polished stainless steel fixture under an eave or roof will suffer from the build up of salt deposits as it will not be washed away by rain.

Copper will age naturally and will patina over time. It is not necessary to clean copper frequently. When they do require cleaning, wipe them with a damp cloth.

DO NOT use polishing compounds.